

**Agenda Item:** T2

**Source:** BT

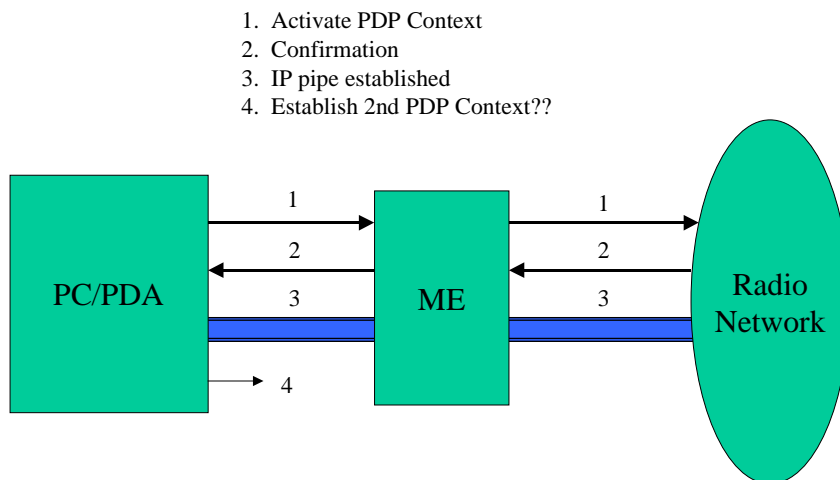
**Title:** Handling multiple PDP contexts between TE and ME

**Document for:** Discussion

---

During discussions on the impact of all-IP on the Terminals area, it has become apparent that it is not very widely known exactly how to handle multiple PDP contexts across multiple devices in the UE.

If the UE is combined into a single box then handling multiple PDP contexts is clearly not a problem.



If the UE is split into a PDA/PC and a separate ME then the following will happen:

Using AT commands, the PDA/PC can set up the first PDP context (1,2). This causes the serial link between PDA/PC and ME to become an IP pipe carried by PPP (3). Now any data going into this pipe will be carried through the GPRS infrastructure and will pop out of the GGSN, so there is no way for the PDA/PC to control the ME to set up a secondary PDP context.

It is believed that S2 is now working on development of all-IP solutions which require the setting up and control of multiple PDP contexts. It is therefore very important to understand how the UE will work when split into multiple physical devices as shown above. If it is not clear how this is going to work in TSG-T it is suggested that TSG-T raises this issue in TSG-SA.