

6–10 October 2003-10-09

Povoa de Varzim, Portugal

Title: LS Response on “new interface names”
Response to: S3-030484 = S2-033235
Release: Rel-6
Work Item: Support for subscriber certificates (SEC1-SC)

Source: SA3
To: SA2, CN1, CN4
Cc: SA5

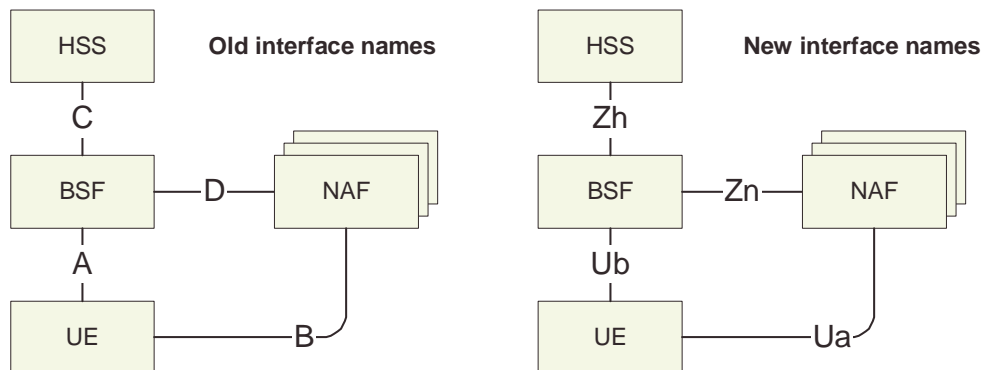
Contact Person:

Name: Pekka Laitinen
Tel. Number: +358 7 180 37483
E-mail Address: pekka.laitinen@nokia.com

Attachments: None

1. Overall Description:

SA3 thanks SA2 for their liaison, where the interface names were commented for support for subscriber certificate work item. SA3 agreed to adopt the “Z series” for the C and D interfaces, as Zh and Zn (see below), and continue to use Ub and Ua for UE related interfaces.



Note: The logic behind the naming is addressed as:

Ub **B**ootstrapping air interface (from UE to BSF)
Ua **A**pplication air interface (from UE to NAF)
Zh **H**SS interface from BSF
Zn **N**AF interface from BSF

2. Actions: None.

3. Date of Next TSG-S3 Meetings:

Meeting	Date	Location	Host
SA3#31	18-21 November, 2003	Munich, Germany	The European Friends of 3GPP
SA3#32	09-13 February, 2004	TBD	TBD