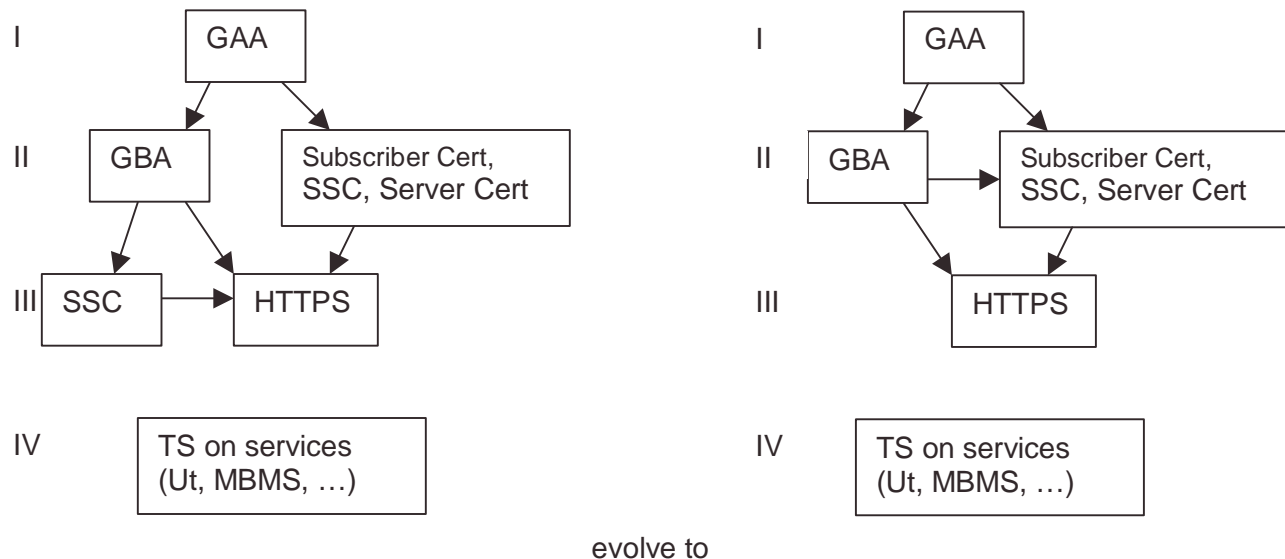


Wed evening session for 33.109 split

It is agreed the logical relation of the each parts as below:



1. It is agreed to split to 4 specifications:
 - GAA, a TR gives a description of the overall architecture, and relation between each functionality. The TR will also provide some guidness on criteria of deploying the alternative mechanisms to the services. Editor will be Annelies.
 - GBA, a TS, shall be largely based on the section 4 of the 33.109, gives description of the BSF functionality. Editor will be Tao Haukka.
 - SSC, a TS, shall be largely based on the section 5 and Annex A of the 33.109. Editor will be Pekka Laitinen and Tao Haukka.
 - HTTPS, a TS shall describe the TLS tunnel (33.109 v0.3.0 protocol B) by means of the GBA and SSC. Editor will be Bengt Sahlin.
2. No new WID to be generated, all concrete work will be under the original one with no updating.
3. Rappourteur of the WI is Tao Haukka.
4. All the work will be finished within the R6 timeframe as planned for the WI.
5. The Table of Contents for every specification is to be provided for Thursday evening session.
6. The final Table of Contents is to be endorsed by the this meeting.