

**Source:** SA WG3 (Security)

**Title:** CR to 33.108: Correction on interception identities in multi-media domain (Rel-6)

**Document for:** Approval

**Agenda Item:** 7.3.3

---

SA Doc number	Spec	CR	Rev	Phase	Subject	Cat	Version-Current	SA WG3 Doc number	Workitem
SP-040405	33.108	045	-	Rel-6	Correction on interception identities in multi-media domain	F	6.5.0	S3-040305	SEC1-LI

CR-Form-v7
<b>CHANGE REQUEST</b>
# <b>33.108 CR 045</b> # rev <b>-</b> # Current version: <b>6.5.0</b> #

For **HELP** on using this form, see bottom of this page or look at the pop-up text over the # symbols.

Proposed change affects: UICC apps#  ME  Radio Access Network  Core Network

<b>Title:</b>	#	Correction on interception identities in multi-media domain	
<b>Source:</b>	#	SA WG3 (LI Group)	
<b>Work item code:</b>	#	SEC1-LI	<b>Date:</b> # 15-04-2004
<b>Category:</b>	#	<b>F</b>	<b>Release:</b> # Rel-6
		Use <u>one</u> of the following categories:	Use <u>one</u> of the following releases:
		<b>F</b> (correction)	2 (GSM Phase 2)
		<b>A</b> (corresponds to a correction in an earlier release)	R96 (Release 1996)
		<b>B</b> (addition of feature),	R97 (Release 1997)
		<b>C</b> (functional modification of feature)	R98 (Release 1998)
		<b>D</b> (editorial modification)	R99 (Release 1999)
		Detailed explanations of the above categories can be found in 3GPP <a href="#">TR 21.900</a> .	Rel-4 (Release 4)
			Rel-5 (Release 5)
			Rel-6 (Release 6)

<b>Reason for change:</b>	#	Chapter 7 states that for the identification of the intercepted traffic in multi-media domain only the SIP-URL is available. This is not according to other sections of the same TS and to TS 33.107, which state that also TEL-URL can be used.
<b>Summary of change:</b>	#	TEL-URL is added in chapter 7 as possible identity for interception in multi-media domain.
<b>Consequences if not approved:</b>	#	Wrong information and unclear description in the TS. Misalignment with other sections of the TS and TS 33.107.

<b>Clauses affected:</b>	#	7								
<b>Other specs affected:</b>	#	<table border="1" style="display: inline-table; vertical-align: middle;"> <tr> <td style="padding: 2px;">Y</td> <td style="padding: 2px;">N</td> </tr> <tr> <td style="padding: 2px;"><input type="checkbox"/></td> <td style="padding: 2px;"><input checked="" type="checkbox"/></td> </tr> <tr> <td style="padding: 2px;"><input type="checkbox"/></td> <td style="padding: 2px;"><input checked="" type="checkbox"/></td> </tr> <tr> <td style="padding: 2px;"><input type="checkbox"/></td> <td style="padding: 2px;"><input checked="" type="checkbox"/></td> </tr> </table> Other core specifications # <span style="background-color: yellow; display: inline-block; width: 100px; height: 1em;"></span> Test specifications # <span style="background-color: yellow; display: inline-block; width: 100px; height: 1em;"></span> O&M Specifications # <span style="background-color: yellow; display: inline-block; width: 100px; height: 1em;"></span>	Y	N	<input type="checkbox"/>	<input checked="" type="checkbox"/>	<input type="checkbox"/>	<input checked="" type="checkbox"/>	<input type="checkbox"/>	<input checked="" type="checkbox"/>
Y	N									
<input type="checkbox"/>	<input checked="" type="checkbox"/>									
<input type="checkbox"/>	<input checked="" type="checkbox"/>									
<input type="checkbox"/>	<input checked="" type="checkbox"/>									
<b>Other comments:</b>	#	<span style="background-color: yellow; display: inline-block; width: 100%; height: 1em;"></span>								

\*\*\* **FIRST MODIFICATION** \*\*\*

## 7 Multi-media domain

This clause deals with IRI reporting in the IMS. See Annexes C and G for CC interception at the SGSN/GGSN.

According to TS 33.107 [19], interception has to be supported in P-CSCF and S-CSCF. For the identification of the intercepted traffic only the SIP-URL and TEL-URL ~~is~~ are available. In the intercepting nodes (CSCF's) the relevant SIP-Messages are duplicated and forwarded to the MF HI2.

For clarification see following Figure 7.1. If P-CSCF and S-CSCF are in the same network the events are sent twice to the LEMF.

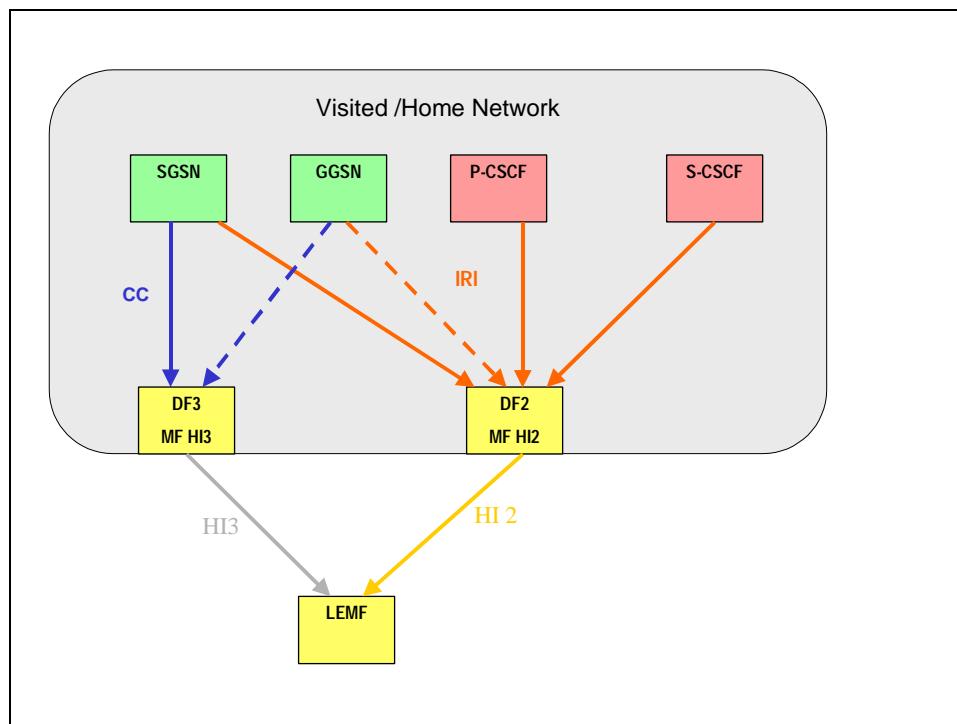


Figure 7.1: IRI Interception at a CSCF

\*\*\* **END OF MODIFICATIONS** \*\*\*