

3GPP TSG SA #18  
New Orleans, U.S.A., 9-12 December 2002

*Tdoc SP-020767*



# ***TSG-SA WG2 report at TSG SA #18***

**Mikko Puuskari, SA2 Chairman,**

**and**

**Alain Sultan & Sang-Ui Yoon,**

**MCC (SA2 Support)**

A GLOBAL INITIATIVE

# ***Content***

- **General aspects (events since SA#17, statistics, next meetings)**
- **Issues on Rel99 and before**
- **Issues on Release 4**
- **Issues on Release 5**
- **Progress and issues on Release 6**
- **WLAN reference architecture**
- **Actions expected from SA#18 by S2**

- • **General aspects (events since SA#17, statistics, next meetings)**
- Issues on Rel99 and before
- Issues on Release 4
- Issues on Release 5
- Progress and issues on Release 6
- WLAN reference architecture
- Actions expected from SA#18 by S2

# *General aspects (1/4)*

## Meetings since TSG-SA #17

- **TSG-SA WG2 plenary meetings:**
  - SA2#27 in Beijing, China, 14 – 18 October, hosted by CWTS, Huawei Technologies, and China Mobile
    - Joint session was arranged with SA1 IMS SWG to discuss IETF LS related matters
  - SA2#28 in Bangkok, Thailand, 11 – 15 November, hosted by Japanese Friends of 3GPP
    - Joint session was arranged with CN1 to discuss IETF LS related matters
- **MBMS Ad-Hoc meeting held in Reading, UK, 23 – 24 September 2002, hosted by Hutchison 3G.**
  - Meeting chaired by Andre Jarvis, Hutchison 3G

## ***General aspects (2/4)***

### **SA2 drafting sessions held during SA2#27 & SA2#28:**

- GUP, chaired by Mr. Harri Koskinen (Nokia)
- WLAN, chaired by Mr. Nicolas Martiquet (Orange)
- LCS, chaired by Mr. Jan Käll (Nokia)
- MBMS, chaired by Mr. André Jarvis (THREE)
- Presence, chaired by Ms. Kirsi Maansaari (Nokia)
- CRs on TS 23.060 and TS 23.107, chaired by Mr. Frank Mademann (Siemens)
- IMS commonality and harmonisation, chaired by Mr. Balazs Bertenyi (Nokia)
- Handling of Early Mobiles, chaired by Mr. Chris Pudney (Vodafone)

**E-mail discussions monitored by Mr. Aki Noda (Fujitsu).**

***SA2 Vice-Chairs: Mr. Aki Noda and Ms. Bonnie Chen (Motorola)***

***THANKS TO ALL OF THEM !!***

# *General aspects (3/4)*

## Next SA2 meetings:

- **SA2#29: 20-24 January, 2003**
  - San Francisco, USA
  - Hosted by AT&T Wireless Services and Rogers Wireless.
  - Co-located with SA1, T2, and SA4.
- **SA2#30: 24-28 February, 2003**
  - Milan, Italy
  - Hosted by European Friends of 3GPP.

# ***General aspects (4/4)***

## **Statistics at SA2#27 and SA2#28:**

- **Around 120-130 delegates attended each meeting**
- **Around 1.000 temporary documents handled, among them:**
  - **63 incoming LSs**
  - **28 outgoing LSs**
  - **237 CRs (including revisions)**
- **853 people registered on the SA2 e-mail reflector on December 2<sup>nd</sup>.**

- General aspects (events since SA#17, statistics, next meetings)
- • Issues on Rel99 and before
- Issues on Release 4
- Issues on Release 5
- Progress and issues on Release 6
- WLAN reference architecture
- Actions expected from SA#18 by S2



# *Issues on Rel99 and before*

- **Handling of Early UEs**
  - Efficient work on this topic.
  - TR is provided for information and approval at this meeting.
  - In addition, a WID covering the SA2 study also provided for approval at this meeting.
- **LCS-related corrections**
  - CRs approved on “Coding of Maximum Offset and Included Angle” for R98, R99 and Rel-4 for TS’s 03.32 and 23.032.
  - Coding of ranges for offset and included angle clarified.
  - On condition that GERAN and RAN do not have problems with these changes.
- **One correction on TS 23.060**
  - Handling of preserved PDP contexts: Related to QoS attribute mapping problems for preserved PDP contexts when moving from R99 SGSN to R97/R98 SGSN (i.e. GTPv1 and GTPv0).

- General aspects (events since SA#17, statistics, next meetings)
- Issues on Rel99 and before
- • Issues on Release 4
- Issues on Release 5
- Progress and issues on Release 6
- WLAN reference architecture
- Actions expected from SA#18 by S2

## *Issues on Release 4*

- **Release 4 changes (in addition to mirror CRs of R99 changes)**
  - **LCS Stage 2 (TS 23.271)**
    - Addition of reference number to deferred MT-LR procedure
    - Privacy class selection rule
  - **Architecture (TS 23.002)**
    - Clarification of the scope of TS 23.002
    - Corrections in the LCS figures and LCS descriptions
    - Also sent to TSG-RAN and TSG-GERAN for information
  - **QoS (TS 23.107)**
    - Highest Value for Bitrates

- General aspects (events since SA#17, statistics, next meetings)
- Issues on Rel99 and before
- Issues on Release 4
- • Issues on Release 5
- Progress and issues on Release 6
- WLAN reference architecture
- Actions expected from SA#18 by S2

## *Issues on Release 5 (1/3)*

- In addition to mirror CRs of R99 and Rel4 changes:
  - Architecture (TS 23.002):
    - Clarification of Service Architecture
  - Architecture requirements (TS 23.221)
    - Removal of and update to duplicate text (c.f. TS 23.228)
  - GPRS Stage 2 (TS 23.060):
    - Clarification of IP version requirements on Iu interface
    - QoS negotiation
    - SMS over PS in Iu mode
    - Reuse of TEID
    - Mobility Management for GPRS (CAMEL) Subscriber

## *Issues on Release 5 (2/3)*

- **LCS Stage 2 (TS 23.271):**
  - **Clarification of codeword handling mechanism**
- **QoS (TS 23.107)**
  - **Removal of unclear statements in 23.107 regarding the handling of end-user Differentiated or Integrated services**
- **End to end QoS (TS 23.207):**
  - **Clarifications on Go interface functions**
  - **Clarifications on DiffServ functions without Go control**
  - **Alignment with Stage 3: DS control, RSVP proxy**
  - **Clarification on the definition of QoS Class**
  - **Mobile IP and Service Based Local Policy interactions**

# *Issues on Release 5 (3/3)*

- **IMS (TS 23.228): 22 CRs for Release 5 :**
  - Clarifications and editorial modifications for different parts of the specification to make it consistent with other specifications and with Stage 3
  - SIM access to IMS discussed to some extent
  - Agreed Change Requests, for example, on:
    - S-CSCF re-assignment
    - End-to-end QoS alignments with TS 23.207
    - IETF LS related alignments (CRs for header stripping and network configuration hiding provided to this meeting)
    - Clarification of Number Internationalisation
    - Etc.
- **PCF changed to PDF**
  - According to the 3GPP – 3GPP2 IMS Harmonisation Workshop recommendations
  - CRs provided on relevant specifications

- General aspects (events since SA#17, statistics, next meetings)
- Issues on Rel99 and before
- Issues on Release 4
- Issues on Release 5
- • Progress and issues on Release 6
- WLAN reference architecture
- Actions expected from SA#18 by S2



# *Rel-6 work item status (1/5)*

- **Presence Stage 2**

- TS 23.141 has been approved.
- Corrections and additions to TS 23.141 (13 CRs for approval)
- For example, on:
  - Pen reference point, Presence attributes, Filter information in presence list server, Access rules, Watcher flows

- **MBMS Stage 2**

- Work on MBMS Stage 2 (TS ) is continuing but is proceeding slower than expected.
- Work is focusing now on concluding key open items, but this has been difficult due to strong different views on the issues.

- **Push Services Stage 2**

- Work Item Description for Stage 2 study is for approval.
- A few contributions on Push Services discussed in the SA2 meeting. Stage 1 requirements being reviewed. No technical solutions agreed yet.

# ***Rel-6 work item status (2/5)***

- **Location Services Stage 2**
  - Work is ongoing on LCS enhancements 2.
  - TS 23.271 Release 6 updates:
    - Codeword handling mechanism for Release 6
    - Privacy check mechanism for Release 6
    - Improvements of inter-GMLC interface procedures
  - Liberty Project work relation to 3GPP LCS work has been considered in SA2. There were comments in the SA2 LCS drafting group to provide the same information to the TSG-SA.
- **GUP Stage 2**
  - Work is ongoing. Recent decisions:
    - Logical reference architecture for GUP was agreed upon
    - GUP Information Model related sections revised.
- **OSA Stage 2 (23.127)**
  - One CR providing mapping of OSA APIs for Presence Service

## ***Rel-6 work item status (3/5)***

- **IMS Phase 2**
  - Work is ongoing. Number of contributions is picking up.
  - Some recent discussion items:
    - Emergency sessions in the IMS
    - List, group and conferencing management functionality (including concept of Service URIs)
  - Decisions and agreements:
    - Re-introduction of Local Services into Release 6
    - Basic flows for IMS messaging incorporated into Stage 2
- **IMS Commonality and Interoperability**
  - Internal “place-holder” TR being worked on.
  - Discussions on Stage 2 documentation structure. Revised 23.228 CR is expected to the next SA2 meeting.
  - Requirements and considerations for Service-Based Local Policy and QoS issues have been included in TR.

## ***Rel-6 work item status (4/5)***

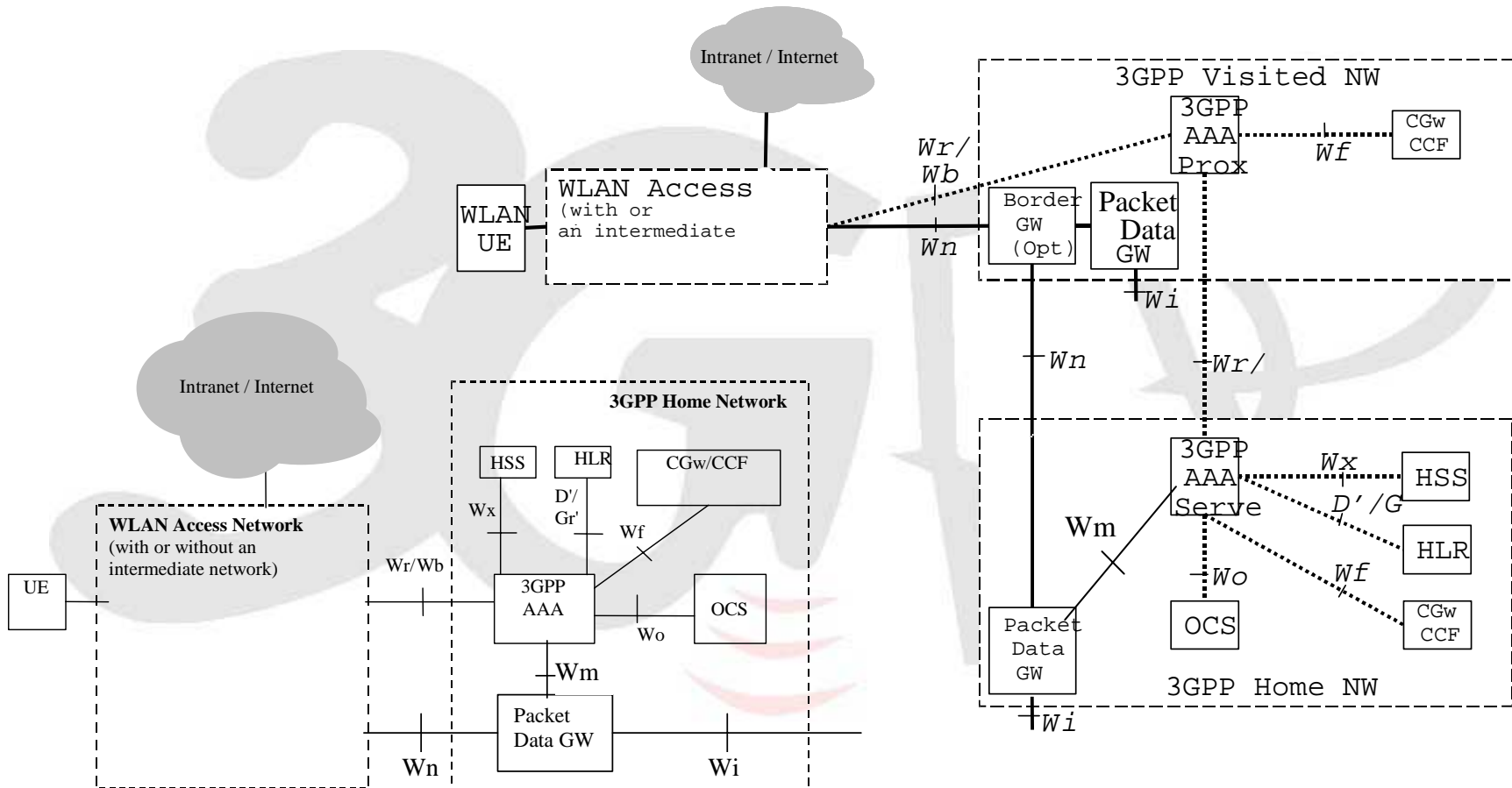
- **Radio optimisation impacts on PS domain architecture:**
  - **A few contributions reviewed on the topic.**
- **Policy control in Release 6:**
  - **Plenty of contributions on policy control.**
  - **Study of dynamic policy control enhancements is ongoing.**
    - **Captured in TR 23.917**
    - **Discussions e.g. on PDF/P-CSCF split and PDF evolution & usage in Release 6. No conclusions yet.**
  - **Discussions on Policy-based control of DiffServ.**
    - **Release 6 WID is provided for approval to this meeting.**
    - **Some contributions reviewed on this topic.**
    - **Completion of recent change on CS domain signalling requirements**
- **Correction to TS 23.221:**
  - **Completion of recent change on CS domain signalling requirements**

# *Rel-6 work item status (5/5)*

- **WLAN**

- WLAN TS 23.234 is not yet ready to be presented for approval at this meeting. Target is to get it ready by SA#19.
- TS 23.234 includes currently mostly Scenario 2 related information, but intention is to also cover Scenario 3 in the TS.
  - Not fully clear yet what is the role of different PS Domain services to be considered in the scenario 3 (IMS, MMS, MBMS, PSS, LCS, etc)
- TR 23.934 includes studies for Scenario 4 and onwards.
- Discussions on WLAN work priorities:
  - Scenario 2 is of highest priority (architecture and addressing issues are the most important items)
  - Then scenario 3, with an access to IMS as a priority item.
  - Scenario 4 and onwards considered in the scope of Release 7 (future compatibility should however be considered where necessary)
- See WLAN reference architecture on next slide.

# WLAN Reference Architecture



No roaming case

Roaming case

- **General aspects (events since SA#17, statistics, next meetings)**
- **Issues on Rel99 and before**
- **Issues on Release 4**
- **Issues on Release 5**
- **Progress and issues on Release 6**
- **WLAN reference architecture**
- • **Actions expected from SA#18 by S2**



## ***Actions expected from SA#18 by SA2 (1/4)***

### **Presentation for approval:**

- **TR 23.895 v.1.0.0: Provision of UE Specific Behaviour Information to Network Entities in SP-020797**



## ***Actions expected from SA#18 by SA2 (2/4)***

### **Approval of the following CRs (1/2):**

- **23.060 (GPRS/PS domain stage 2):**
  - CR list in SP-020768
- **03.71, 23.171 and 23.271 (LCS Stage 2):**
  - CR list in SP-020769
- **23.002 (Network Architecture):**
  - CR list in SP-020770
- **03.32 and 23.032 (Universal Geographical Area Description):**
  - CR list in SP-020771
- **23.107 (QoS):**
  - CR list in SP-020772

## ***Actions expected from SA#18 by SA2 (3/4)***

### **Approval of the following CRs (2/2):**

- **23.141 (Presence):**
  - CR list in SP-020773
- **23.207 (End to end QoS):**
  - CR list in SP-020774
- **23. 221 (Architecture Requirements):**
  - CR list SP-020775
- **23.228 (IMS Stage 2):**
  - CR list in SP-020776
- **23.127 (OSA):**
  - CR list in SP-020777

## ***Actions expected from SA#18 by SA2 (4/4)***

- **Work item descriptions that are for approval:**
  - **WID on Support of Push Services in SP-020793**
  - **WID on Policy based control of Diffserv Edge Functions in SP-020794**
  - **WID on Early UE handling in the 3GPP system in SP-020795**
  - **WID on Overall architectural aspects of IP-flow based bearer level charging in SP-020796**

3GPP TSG SA #18  
New Orleans, U.S.A., 9-12 December 2002

*Tdoc SP-020767*



**That's all, folks.**

**Thank You!**

A GLOBAL INITIATIVE