

SA2 Status Report

Chairman: Teuvo Järvelä, Nokia.
MCC support: Alain Sultan, ETSI.

1. General

1.1. Meetings since SA#4

SA2 has met three times since last SA plenary:

SA2#6: 26th to 30th of July, hosted by AT&T in Hazlet, USA

SA2#7: 23rd to 27th of August (including two joint meetings), hosted by ETSI in Sophia Antipolis, France

SA2#8: 13th to 17th of September, hosted by T-Mobil in Bonn, Germany

Moreover, S2 has participated to the following joint meetings:

- with R2, R3, N1 and S3 on August, 23rd
- with T3 and S3 on August, 24th
- with R2 on August, 27th
- with S1 on September, 14th

The number of participant at each meeting is higher than 80.

In addition, 490 people are registered on the SA2 e-mail list (on October 6th 1999).

1.2. S2 structure

The following S2 sub-groups have been created since last SA plenary:

- **Release 2000 ad-hoc**, created at SA2#6, in charge of making a first study on the network architecture for UMTS release 2000. This group has focussed on an all-IP based solution. It has elaborated the TR 23.922, presented in SP-99388.

- **Six Inter-Group Co-ordination (IGCs)**, in charge of monitoring a dedicated topic at 3GPP, as detailed in TR 30.801 v.1.0.0, Overall Project Plan, in SP-99390. Each group reports his results in TR 30.80x and TR 30.81x (tdocs SP-99391 to 396).

The on-going S2 ad-hoc groups are:

- **MIP (Mobile IP)**, in charge of studying how Mobile IP can be incorporated in the PS-domain (i.e. GPRS). They handle the TR 23.923, presented in v.1 to SA#5 in SP-99389.

- **QoS (Quality of Service)**, in charge of studying the QoS aspects of the network. They handle the TR 23.907, presented in v.1 to SA#4, and now proposed as TS 23.107 v.3 in SP-99387.

All these ad-hoc groups had dedicated physical meetings, some of them meeting up to five times (i.e. the R00 ad-hoc).

In addition, some dedicated meetings took place for drafting sessions on:

- 23.060
- LCS
- VHE/OSA



TSG-S2 Status Report at TSG-SA#5 Meeting
Agenda point 5.2

SP-99386

11-13.10.1999



3GPP TSG S2 Report



TSG-S2 Status Report at TSG-SA#5 Meeting
Agenda point 5.2

SP-99386

11-13.10.1999

▼ Events since last TSG-SA plenary

□ SA2 has met three times:

⇒ SA2#6: 26th to 30th of July, AT&T in Hazlet, USA

⇒ SA2#7: 23rd to 27th of August (including two joint meetings), ETSI in Sophia Antipolis, France

⇒ SA2#8: 13th to 17th of September, T-Mobil in Bonn, Germany

□ Moreover, S2 has participated to the following joint meetings:

● with N1, N2 and S1 on June 29th - July 1st

● with R2, R3, N1 and S3 on August 23rd

● with T3 and S3 on August 24th (TSG-S2 was represented only by the Chairman)

● with R2 on August 27th

● with S1 on September 14th



TSG-S2 Status Report at TSG-SA#5 Meeting
Agenda point 5.2

SP-99386

11-13.10.1999

Sub-groups / ad-hoc groups at SA2

- ▼ Groups created since SA#4
 - Release 2000 ad-hoc, created at SA2#6
 - Six Inter-Group Co-ordination (IGCs), created between SA#4 and SA#5
- ▼ On-going groups
 - MIP (Mobile IP)
 - QoS (Quality of Service)
- ▼ In addition, dedicated drafting meetings on:
 - 23.060
 - LCS
 - VHE/OSA
- ▼ Lot of work handled by e-mail (chaired by Mr. Hiramatsu, TSG-S2 Vice-Chairman)



TSG-S2 Status Report at TSG-SA#5 Meeting
Agenda point 5.2

SP-99386

11-13.10.1999

Participation at SA2

- ▼ The number of participant at each meeting is higher than 80.
- ▼ In addition, 490 people are registered on the SA2 e-mail list (on October 7th 1999).
- ▼ Documents handled this year at TSG-SA2 Plenary has exceeded one thousand
- ▼ Liaison Statements since previous TSG-SA Plenary:
 - SA2 received 52 LSs
 - SA2 sent 47 LSs



Main technical decisions (1/2)

▼ Location/Routing Areas concepts

⇒ Same concepts as for GSM and GPRS release 97 (i.e. RA and LA are defined, with RA always being a subset of LA or RA equal to LA)

▼ Use of combined MAP procedures

⇒ The use of combined location update procedures is not a high priority issue for Release 99

▼ Mechanisms involved at HO/cell change

⇒ Both at inter-system (GSM/UMTS both senses) and within UMTS (for real time and non real time services). It was concluded that SRNC relocation procedure with packet forwarding is used for R99.



TSG-S2 Status Report at TSG-SA#5 Meeting
Agenda point 5.2

SP-99386

11-13.10.1999

Main technical decisions (2/2)

▼ Handling of multimedia calls

⇒ H.323 is proposed as the single multimedia call control protocol for the PS domain in UMTS Release 99 (see CR 037 on 23.121).

All these decisions have lead to CRs on 23.121.

On other documents:

- ▼ A global view of the UMTS network Release 99 is proposed in 23.002 v.3.1.0
- ▼ A global view of the UMTS network Release 00 is proposed in 23.922 v.1.0.0
- ▼ QoS mechanisms detailed in TS 23.107
- ▼ MIP / GSM-GPRS relationship detailed in 23.923 v.1.0.0
- ▼ Stage 2 Service description for both GPRS and UMTS PS in 23.060



Involvement of S2 in GSM matters

- ▼ SMG12 will not have dedicated meeting anymore:
 - ⇒ TSs 03.56, 03.73 and 23.060 transferred to common SA2/SMG12 responsibility.
- ▼ Review of the GSM Stage 2 descriptions
 - S2 has reviewed and agreed with the TSG CN proposal of transfer of TSs from the 03 series to the 23 series (except for 03.71/23.071 on LCS, see later)



TSG-S2 Status Report at TSG-SA#5 Meeting
Agenda point 5.2

SP-99386

11-13.10.1999

▼ R00 Ad Hoc report

- Scope of work
- Meeting schedule and project info
- Contents of Technical Report
- Release 2000 Architecture for all-IP option
- Key issues discussed
- Proposal for next step



TSG-S2 Status Report at TSG-SA#5 Meeting
Agenda point 5.2

SP-99386

11-13.10.1999

▼ Scope of Work of R00 Ad Hoc(from TR)

“This technical report will propose an architecture that provisions an all-IP architecture option for release 00. The purpose of the technical report is to

- identify key issues and affected ongoing 3GPP work that need to be resolved and
- propose a high level work plan for completion of an all IP release 00 UMTS standard

in order to provide this architectural option within Release 2000.”



TSG-S2 Status Report at TSG-SA#5 Meeting
Agenda point 5.2

SP-99386

11-13.10.1999

▼ Meeting schedule and project info

- ❑ Release 2000 architecture ad-hoc established during SA2#6 end July 1999
- ❑ Five meetings were held, three during SA2 plenary meetings
- ❑ 122 contributions prepared



TSG-S2 Status Report at TSG-SA#5 Meeting
Agenda point 5.2

SP-99386

11-13.10.1999

▼ Contents of TR

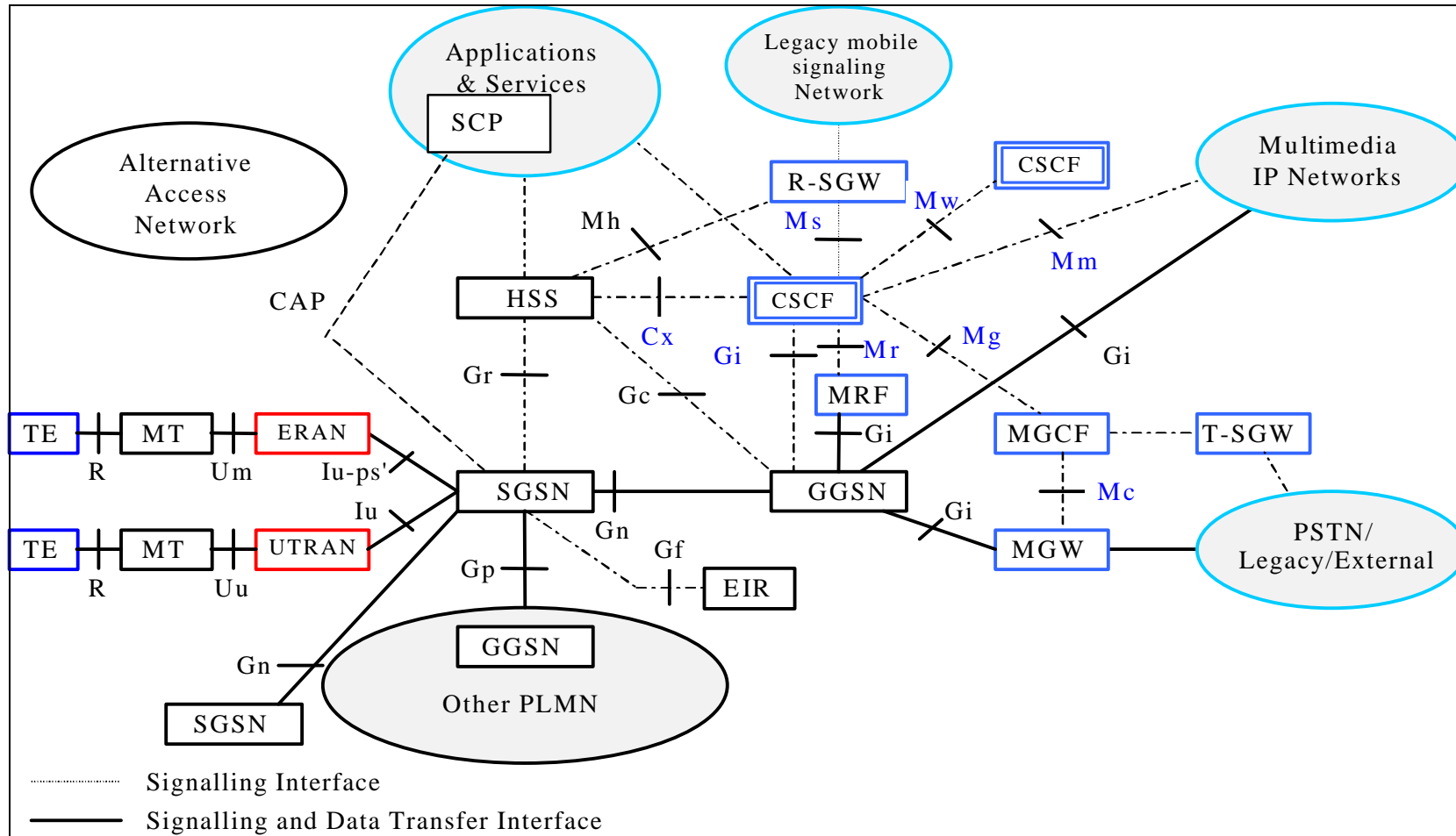
- 1 Scope
- 2 References
- 3 Definitions and abbreviations
- 4 Requirements
- 5 Architecture for an all IP PLMN
- 6 QoS
- 7 Handover
- 8 Radio Aspects
- 9 Call Control
- 10 Service Platform Impacts
- 11 Security
- 12 Work Plan



TSG-S2 Status Report at TSG-SA#5 Meeting Agenda point 5.2

SP-99386

11-13.10.1999



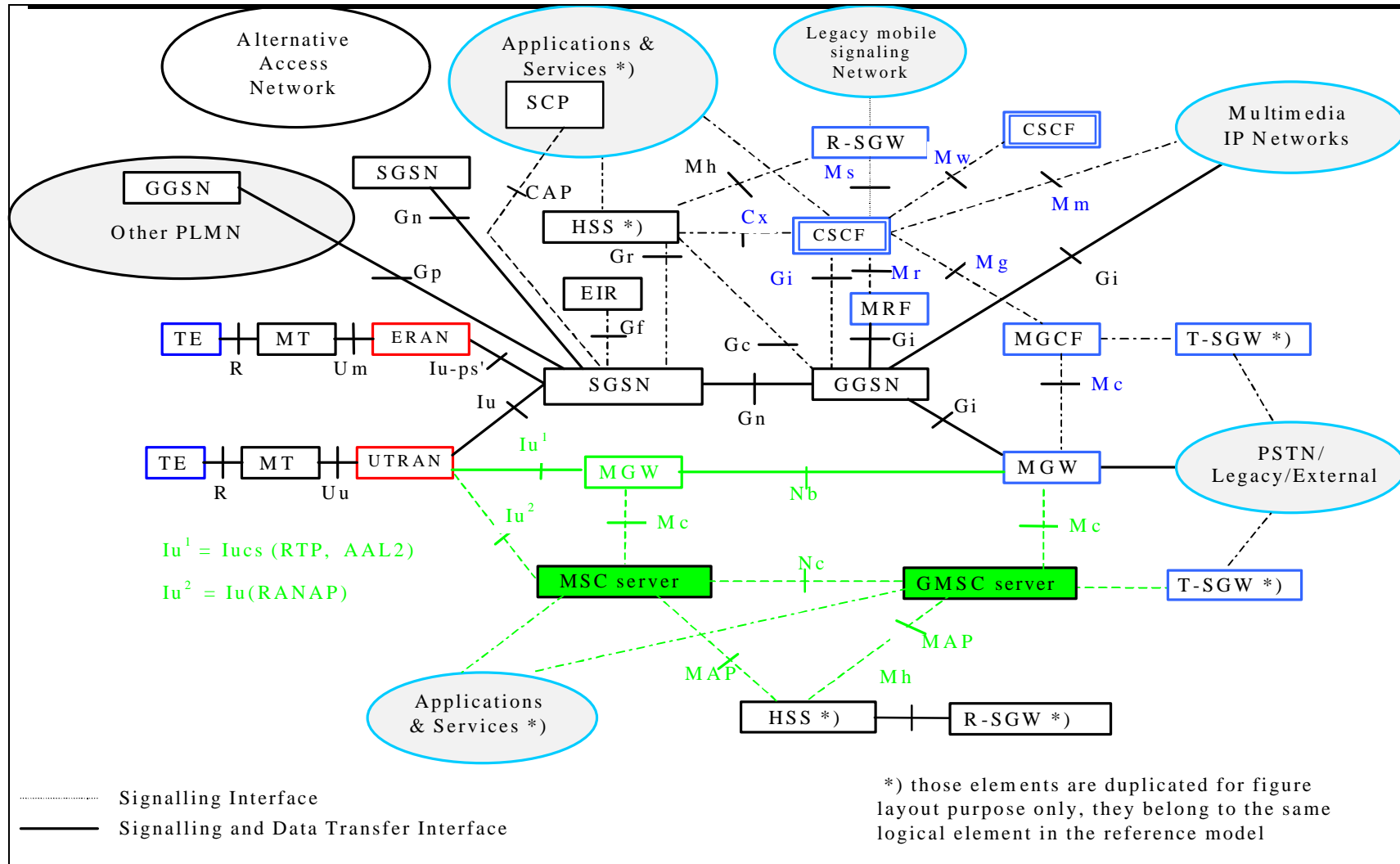


TSG-S2 Status Report at TSG-SA#5 Meeting

Agenda point 5.2

SP-99386

11-13.10.1999





TSG-S2 Status Report at TSG-SA#5 Meeting
Agenda point 5.2

SP-99386

11-13.10.1999

▼ Key issues discussed

- ❑ Should Release 99 CS-terminals be supported in Release 2000 networks?
 - ⇒ Assumption is yes, architecture option proposed in the TR
- ❑ What is the difference between R99 voice and VoIP in release 2000?
- ❑ Many requirements to be clarified by S1



TSG-S2 Status Report at TSG-SA#5 Meeting
Agenda point 5.2

SP-99386

11-13.10.1999

▼ Proposal for further work

- ❑ S2 to start Release 2000 project planning, the all-IP option is part of this work
- ❑ S1 to start Release 2000 requirements definitions
- ❑ S2 to propose work packages
- ❑ When work packages have been agreed upon other TSGs and WGs can prepare detailed planning



TSG-S2 Status Report at TSG-SA#5 Meeting
Agenda point 5.2

SP-99386

11-13.10.1999

Work co-ordination of 3GPP

- ▼ Six **Inter-Group Co-ordination ad-hoc (IGCs)** have been created to co-ordinate the overall work at 3GPP on dedicated tasks:
 - ❑ Bearer Services and QoS
 - ❑ GSM/UMTS Interoperation and Mobility Management
 - ❑ Location based services
 - ❑ Packet Architecture and Circuit Architecture
 - ❑ Security
 - ❑ Services and Service platforms



TSG-S2 Status Report at TSG-SA#5 Meeting
Agenda point 5.2

SP-99386

11-13.10.1999

▼ IGC on Bearer Services and QoS

- ❑ The project plan is based on inputs from: S1, S2, R2, R3, N1 and N3.
No reply so far from: S5, R1, N2, T2
- ❑ Work still required from CN groups to fulfil QoS requirements by
December 99
- ❑ Discussions needed with T2



TSG-S2 Status Report at TSG-SA#5 Meeting
Agenda point 5.2

SP-99386

11-13.10.1999

▼ **IGC GSM/UMTS Interoperation and Mobility Management for UMTS**

- The Report has been sent to all involve groups end of September
 - ⇒ Preliminary answer has been provided by N3
 - ⇒ N1 requested several clarification that were given during last week
 - ⇒ No other group has yet responded due to lack of time
 - ⇒ It is anticipated that the full report should be made available for the next TSG meeting for Release 99



TSG-S2 Status Report at TSG-SA#5 Meeting
Agenda point 5.2

SP-99386

11-13.10.1999

▼ IGC on Location and Broadcasting services

- ❑ The project plan is based on inputs from: S2, S5, R2, R3, N1 and N2.
No reply so far from: S1 and S3
Contact persons still missing for: S3, N1, N2, (proposal for S1), R4?
Task descriptions still to be elaborated for S1, S3, N1, N2 and T2.
- ❑ LCS specifications to be completed in 1999:
- ❑ S1 has included UMTS LSC service requirements in the stage 1 specification 22.071 as "compatibility with future releases".
- ❑ The functional description of LCS in the whole System, Stage 2, TS 23.171 is being elaborated in S2
- ❑ The functional description of LCS in UTRAN Stage 2, TR 25.923 is being elaborated in R2
- ❑ Detailed descriptions of positioning methods: cell coverage based, OTDOA with configurable Idle periods, assisted GPS methods



TSG-S2 Status Report at TSG-SA#5 Meeting
Agenda point 5.2

SP-99386

11-13.10.1999

- ❑ LCS specifications to be completed in 2000:
- ❑ Complete detailed (Stage 3) LCS specifications
- ❑ The goal is to maximize synergies between GSM and UMTS,
- ❑ UMTS will have less options in LCS architecture than GSM



TSG-S2 Status Report at TSG-SA#5 Meeting
Agenda point 5.2

SP-99386

11-13.10.1999

- ▼ CBS specifications to be completed in 1999:
- ▼ S1 work on the stage1 requirements is finished and the other working groups are informed. The editorial adaptation in 23.003 will be completed during the next meeting.
- ▼ RAN2 addresses the needed adaptations and changes for the radio interface. Work completion is targeted end of 99.
- ▼ S2 and T2 have proposed the architectural framework
- ▼ T2 defines the requirements for the CBC-RNC protocol
- ▼ Open Issue:
- ▼ Specification of the CBC-RNC protocol based on the primitives contained in GSM 03.41 using the IP infrastructure of the „Iu“ interface. The responsibility is not yet decided between RAN and CN.



TSG-S2 Status Report at TSG-SA#5 Meeting Agenda point 5.2

SP-99386

11-13.10.1999

IGC on PS and CS Architecture

- ▼ Overall architecture
- ▼ Determination of principle protocol stacks of user and control plane
- ▼ Call Control, session management related issues

Involved groups

- ▼ First feedback received: R2, R3, N1, N2, N3_Packet, S4
- ▼ Feedback pending: S1, S3, S5 (all little impact expected), T2 (scheduled 18.-22.10.9), N3_Circuit
- ▼ Groups not contacted: R1, R4, T1, T3

Critical issues

- ▼ Classmark issues (CS&PS, HO handling with GSM/GPRS) are not sufficiently addressed (several groups involved)
- ▼ In core network (N1) changes to 24.008 as due to the removal of LLC and stream identifier concept are essential for R99. In case of timing problem, multicall could be moved to future releases.



TSG-S2 Status Report at TSG-SA#5 Meeting
Agenda point 5.2

SP-99386

11-13.10.1999

▼ IGC on Security

- ❑ Some issues and milestones may not yet be identified in the project plan (SP-99395)
- ❑ Input received from: S2, S3, R3, N1, N2, N3
- ❑ No input received from: R2, T1, T2, T3, N-SS
- ❑ Still to nominate contact point: T3, N-SS
- ❑ S3 to specify security features, other groups to integrate features into relevant specifications
- ❑ Full integration of most security features on schedule but correction CRs to some R99 specifications envisaged until March/April 2000
- ❑ Special attention required on user identity confidentiality, network-wide confidentiality, secure GSM-UMTS interoperation, core network security and IP security
- ❑ *Note that milestones in MS Word document are not aligned with milestones in MS Excel sheet (which is the master)*



TSG-S2 Status Report at TSG-SA#5 Meeting
Agenda point 5.2

SP-99386

11-13.10.1999

▼ **IGC on Services and Service Platforms**

- No groups have been contacted, so no nominees for the ICG are available (except for those mentioned in the plan)
- VHE stage2 v.0.2.1
- VHE stage3 needs to be secured.
- Suggested scope reduction for CAMEL might endanger status.



TSG-S2 Status Report at TSG-SA#5 Meeting
Agenda point 5.2

SP-99386

11-13.10.1999

▼ Involvement of the IGCs for R00

- ❑ For R99 work was started in June ----> reality check
- ❑ Target agreed (S1)
- ❑ Plan for the process (timelines, resources, tools, when frozen, Change control)
- ❑ Project Planning groups (are the current groups the right ones)
- ❑ Commitment
- ❑ Project plan for R00 as version 3.0.0 in March 2000



TSG-S2 Status Report at TSG-SA#5 Meeting
Agenda point 5.2

SP-99386

11-13.10.1999

▼ Proposed meeting dates for year 2000

□ TSG-S2#11 January 24-28, 2000

⇒ Might change, possibly overlapping with T1P1

□ TSG-S2#12 March 6-9, 2000 (4 days)

□ TSG-S2#13 May 22-26, 2000

□ TSG-S2#14 September 4-8, 2000

□ TSG-S2#15 November 13-17, 2000



TSG-S2 Status Report at TSG-SA#5 Meeting
Agenda point 5.2

SP-99386

11-13.10.1999

Actions expected from SA#5 by SA2 (1/4)

▼ Approbation of new documents:

□ TS 23.107 v.2.0.0, QoS Concept and Architecture in SP-99387

⇒ This document was presented as Technical Report 23.907 v.1.0.0 at SA#4.

⇒ However, SA2 proposes to change it to Technical Specification at the same time it is proposed for approbation.



Actions expected from SA#5 by SA2 (2/4)

▼ Presentation of new technical documents:

- ❑ TR 23.922 v.1.0.0, Architecture for an all-IP network, in SP-99388
- ❑ TR 23.923 v.1.0.0, Combined GSM and Mobile IP Mobility Handling in UMTS IP CN, in SP-99389
- ❑ TS 23.171 v.1.0.0, Location Services (LCS) in UMTS - Stage 2, in SP-99408

⇒ Note that it is proposed to have two different TSs for LCS stage 2 CN for Release 99: one for GSM in 03.71 v.8.0.0 and one for UMTS, 23.171, presented here

- ❑ TS 23.127 v.0.2.1, Virtual Home Environment (VHE)/Open Service Architecture (OSA) - Stage 2, in SP-99409 including a proposed process of way forward (TSG-SA approval for V.1.0.0 by correspondence proposed)



TSG-S2 Status Report at TSG-SA#5 Meeting
Agenda point 5.2

SP-99386

11-13.10.1999

Actions expected from SA#5 by SA2 (3/4)

- ▼ Presentation of the reports from the IGCs:
 - ❑ TR 30.801 v.1.0.0, Overall Project Plan, in SP-99390
 - ❑ TR 30.802 v.1.0.0, Project plan on Bearer Services and QoS, in SP-99391
 - ❑ TR 30.804 v.1.0.0, Project plan on GSM/UMTS Interoperation and Mobility Management, in SP-99392
 - ❑ TR 30.806 v.1.0.0, Project plan on Location based services, in SP-99393
 - ❑ TR 30.808 v.1.0.0, Project plan on Packet Architecture and Circuit Architecture, in SP-99394
 - ❑ TR 30.810 v.1.0.0, Project plan on Security, in SP-99395
 - ❑ TR 30.812 v.1.0.0, Project plan on Services and Service Platforms, in SP-99396



TSG-S2 Status Report at TSG-SA#5 Meeting
Agenda point 5.2

SP-99386

11-13.10.1999

Actions expected from SA#5 by SA2 (4/4)

▼ Approval of the following CRs:

- on 23.002 v.3.0.0, in SP-99397
- on 23.060 v.3.0.0, in SP-99398
- on 23.110 v.3.1.0, in SP-99399
- on 23.121 v.3.0.0, in SP-99400
- on 23.920 v.3.0.0, in SP-99401

Finally, a considerable amount of work has been handled by e-mail, supervised by Y. Hiramatsu, NTT (S2 vice-chairman).

2. Technical progress

2.1. Technical discussions

The main technical discussions at SA2 meetings since previous TSG-SA Plenary were on:

- Location/Routing Areas concept

It was concluded to keep the same concepts as for GSM and GPRS release 97 (i.e. RA and LA are defined, with RA always being a subset of LA)

- use of combined MAP procedures

After some dialogue with N1, it was decided that the use of combined MAP procedures for CS and PS services is not a high priority issue for Release 99

- mechanisms involved at HO/cell change

Both at inter-system (GSM/UMTS both senses) and within UMTS (for real time and nonreal time services). It was basically concluded that the old RNC has to store and re-send the data to the new RNC.

- handling of multimedia calls

H.323 is proposed as the single multimedia call control protocol for UMTS Release 99 (see CR 037 on 23.121).

These results are detailed in CRs on 23.121.

- Definition of the UMTS network

SA2 is proposing a global view of the UMTS network in the proposed 23.002 v.3.1.0: it will consist in a Core Network (CN) and an Access Network (AN). The CN is common to UMTS and GSM. There is one AN specific to GSM (the BSS) and one AN specific to UMTS (the UTRAN). The CN is composed of a Circuit Switched (CS) domain, corresponding to the "old" GSM switching elements, and a Packet Switched (PS) domain, corresponding to the GPRS entities.

An important part of the technical discussions is now handled by the ad-hoc groups, i.e. Release 2000 ad-hoc, MIP ad-hoc and QoS ad-hoc. Each ad-hoc is handling one document, as explained above.

2.2. Involvement of S2 in GSM matters

S2 and SMG12 have jointly decided that SMG12 will not have dedicated meeting anymore: all the SMG12 meetings will now be joint with S2. The last dedicated SMG12 meeting took place in Newark, in July 99. This means that now SA2/SMG12 has the responsibility of TSs 03.56, 03.73 and 23.060.

2.3. Transfer of GSM Technical Specifications to UMTS Technical Specifications

S2 has reviewed and agreed with the TSG CN proposal of transfer of TSs from the 03 series to the 23 series.

3. Work co-ordination of 3GPP: creation of the Inter-Group Co-ordination ad-hoc (IGCs)

By delegation of TSG SA, SA2 is in charge the overall co-ordination of technical work within 3GPP.

For the accomplishment of this task, six IGCs have been created (plus one co-ordination entity), each one with their own ftp site and e-mail reflector:

0 General

Coordinator: Alain Sultan, MCC (alain.sultan@etsi.fr)

Site: ftp://ftp.3gpp.org/TSG_SA/WG2_Arch/IGC

1 Bearer Services and QoS

Chair: Oscar Lopez-Torres, T-Mobil (Oscar.Lopez@t-mobil.de)

Site: ftp://ftp.3gpp.org/TSG_SA/WG2_Arch/IGC/Bearer&QoS

reflector address: 3GPP_TSG_SA_IGC_Bearer&QoS@list.etsi.fr

2 GSM/UMTS Interoperation and Mobility Management

Chair: François Courau, Alcatel (francois.courau@alcatel.fr)

Site: ftp://ftp.3gpp.org/TSG_SA/WG2_Arch/IGC/GUinterop&MM

reflector address: 3GPP_TSG_SA_IGC_GUinterop&MM@list.etsi.fr

3 Location based services

Chair: Jan Käll, Nokia (jan.kall@NOKIA.COM)

Site: ftp://ftp.3gpp.org/TSG_SA/WG2_Arch/IGC/LCS

reflector address: 3GPP_TSG_SA_IGC_LCS@list.etsi.fr

4 Packet Architecture and Circuit Architecture

Chair: Ulrich Dropmann, Siemens (Ulrich.Dropmann@ICN.SIEMENS.DE)

Site: ftp://ftp.3gpp.org/TSG_SA/WG2_Arch/IGC/PS&CS

reflector address: 3GPP_TSG_SA_IGC_PS&CS@list.etsi.fr

5 Security

Chair: Chris Pudney, Vodafone (chris.pudney@VF.VODAFONE.CO.UK)

Site: ftp://ftp.3gpp.org/TSG_SA/WG2_Arch/IGC/Security

reflector address: 3GPP_TSG_SA_IGC_Security@list.etsi.fr

6 Services and Service platforms

Chair: Rob Schmerson, Ericsson (Rob.Schmerson@era.ericsson.se)

Site: ftp://ftp.3gpp.org/TSG_SA/WG2_Arch/IGC/Services

reflector address: 3GPP_TSG_SA_IGC_Services@list.etsi.fr

The results of these groups are presented separately.

4. Actions at SA#5

This section presents document per document all the actions solicited to SA#5 by SA2.

TS 23.002, " *Network Architecture* ", v.3.0.0

One huge CR on v.3.0.0 to incorporate the UMTS aspects in v.3.1.0 is presented in SP-99397.

TS 23.060, " *General Packet Radio Service (GPRS); Service description; Stage 2* ", v.3.0.0

Lots of CRs on v.3.0.0 to incorporate the UMTS aspects are presented in v.3.1.0 in SP-99398.

TS 23.171, " *Location Services (LCS) in UMTS - Stage 2* ", v.1.0.0

V.1.0.0 to be presented to SA#5 in SP-99408.

TS 23.110, " *Access Stratum (AS): Services and Functions* ", v.3.1.0

2 CRs are presented in SP-99399 on v.3.1.0, which will become v.3.2.0.

TS 23.121, " *Architectural Requirements for Release 1999* ", v.3.0.0

A lot of CRs are presented in SP-99400.

TS 23.127, " *Virtual Home Environment (VHE)/ Open Service Architecture (OSA) - Stage 2* ", v.0.2.1

V.1.0.0 is proposed to be presented to SA by e-mail next week. The technical content should be very similar to the one of the version 0.2.1, presented here in SP-99409.

TS 23.107, " *QoS Concept and Architecture* ", v.2.0.0

V.2.0.0 to be presented to SA#5 in SP-99387.

This TS was presented as TR 23.907 v.1.0.0 at SA#4.

After carefully reviewing it, S2 has decided to propose it as Technical Specification. The content is exactly the same as in 23.907 v.1.4.1.

TR 23.920, " *Evolution of the GSM platform towards UMTS* ", v.3.0.0

Some CRs to be presented in SP-99401.

TR 23.922, " *Architecture for an all-IP network* ", v.1.0.0

V.1.0.0 to be presented to SA#5 in SP-99388.

TR 23.923, " *Combined GSM and Mobile IP Mobility Handling in UMTS IP CN* ", v.1.0.0

V.1.0.0 to be presented to SA#5 SP-99389.

TR 30.801, " *Overall Project Plan* ", v.1.0.0

V.1.0.0 to be presented to SA#5 in SP-99390.

v.3.0.0 expected for December SA plenary

TR 30.802, " *Project plan on Bearer Services and QoS* ", v.1.0.0

V.1.0.0 to be presented to SA#5 in SP-99391.

v.3.0.0 expected for December SA plenary

TR 30.804, " *Project plan on GSM/UMTS Interoperation and Mobility Management* ", v.1.0.0

V.1.0.0 to be presented to SA#5 in SP-99392.

v.3.0.0 expected for December SA plenary

TR 30.806, " *Project plan on Location based services* ", v.1.0.0

V.1.0.0 to be presented to SA#5 in SP-99393.

v.3.0.0 expected for December SA plenary

TR 30.808, " *Project plan on Packet Architecture and Circuit Architecture* ", v.1.0.0
V.1.0.0 to be presented to SA#5 in SP-99394.
v.3.0.0 expected for December SA plenary

TR 30.810, " *Project plan on Security* ", v.1.0.0
V.1.0.0 to be presented to SA#5 in SP-99395.
v.3.0.0 expected for December SA plenary

TR 30.812, " *Project plan on Services and Service platforms* ", v.1.0.0
V.1.0.0 to be presented to SA#5 in SP-99396.
v.3.0.0 expected for December SA plenary

5. Annex A: list of TRs and TSs handled by SA2

Number	Title	Editor	Current version (before SA#5)
TS 23.107	QoS Concept and Architecture	Kalliokulju Juha (Juha.Kalliokulju@NMP.NOKIA.COM)	v.2.0.0
TR 23.920	Evolution of the GSM platform towards UMTS	Liz Daniel (lizdaniel@LUCENT.COM)	v.3.0.0
TR 23.922	Architecture for an all-IP network	Liz Daniel (lizdaniel@LUCENT.COM)	v.1.0.0
TR 23.923	Combined GSM and MobileIP Mobility Handling in UMTS IP CN	Elisabeth Hubbard (Elisabeth.A.Hubbard@telia.se)	v.1.0.0
TR 23.925	UMTS Core Network based on ATM Transport	Adel Rouz (A.Rouz@fujitsu.co.uk)	v.0.2.0
TR 23.930	Iu Principles	Bo Axerud (bo.axerud@nokia.com)	v.3.0.0
TR 30.801	Overall Project Plan	Alain Sultan (alain.sultan@etsi.fr)	v.1.0.0
TR 30.802	Project plan on Bearer Services and QoS	Oscar Lopez-Torres (Oscar.Lopez@T-MOBIL.DE)	v.1.0.0
TR 30.804	Project plan on GSM/UMTS Interoperation and Mobility Management	François Courau (francois.courau@alcatel.fr)	v.1.0.0
TR 30.806	Project plan on Location based services	Jan Käll (jan.kall@NOKIA.COM)	v.1.0.0
TR 30.808	Project plan on Packet Architecture and Circuit Architecture	Ulrich Dropmann (Ulrich.Dropmann@ICN.SIEMENS.DE)	v.1.0.0
TR 30.810	Project plan on Security	Chris Pudney	v.1.0.0

		(chris.pudney@VF.VODAFONE.CO.UK)	
TR 30.812	Project plan on Services and Service platforms	Rob Schmersel (Rob.Schmersel@era.ericsson.se)	v.1.0.0
TS 03.56	CTS	Alcatel	v.7.1.0
TS 03.73	SoLSA		v.7.1.0
TS 23.002	Network Architecture	Alain Sultan (alain.sultan@etsi.fr)	v.3.0.0
TS 23.060	General Packet Radio Service (GPRS); Service description; Stage 2	Hans-Petter Naper (Hans-Petter_Naper@europe34.mot.com)	v.3.0.0
TS 23.101	General UMTS Architecture	Magnus Olsson	v.3.0.1
TS 23.110	Access Stratum (AS): Services and Functions	Oscar Lopez-Torres (Oscar.Lopez@T-MOBIL.DE)	v.3.1.0
TS 23.121	Architectural Requirements for Release 1999	Liz Daniel (lizdaniel@LUCENT.COM)	v.3.0.0
TS 23.127	Virtual Home Environment (VHE)/ Open Service Architecture (OSA) - Stage 2	Erwin van Rijssen (etmehri@ETM.ERICSSON.SE)	v.1.0.0
TS 23.171	Location Services (LCS) in UMTS - Stage 2	Jan Käll (jan.kall@NOKIA.COM)	v.1.0.0

6. Annex B: WIs handled by TSG SA WG2

Note:

S2 is in general shifting the focus to the Building Blocks and Work Packages identified by the IGC from the WIs concept as explained and endorsed during the previous TSG-SA Plenary.

The WIs impacting SA2 work are listed below and some documents are dedicated to the handling of one WI.

WIs handled by SA2:

- *ETE UMTS QoS Management* (impacts only 23.907)
- *IP-in-IP tunneling in GPRS backbone for UMTS phase 1* (impacts only 23.922)
- *UMTS Open Service Architecture* (impacts only 23.127)
- *Support of non-realtime Multimedia Messaging Service*

Work Items inherited from SMG12:

- *UMTS Core Network based on ATM Transport* (impacts only 23.925)
- *Multimedia in UMTS*
- *provision of text telephony service in GSM and UMTS*
- *New Access Network to Core Network (BSS-NSS) interface*
- *Architecture overview of the GSM-UMTS System* (impacts 23.002, 23.121, 23.920)
- *Architecture the GSM-UMTS Platform* (impacts 23.121 and 23.920)
- *Support for real time services in the Packet domain for GSM/GPRS/UMTS R99*

Work Items handled by other TSG but impacted by S2 work:

- *Service Continuity and Provision of VHE via GSM/UMTS* of S1 (impacts only 23.127)
- *Virtual Home Environment* of S1 (impacts only 23.127)

7. Annex C: List of incoming/outgoing LSs

7.1. At SA2#6:

Incoming LSs

TDoc #	Source	Title
S2-99654	T2 MExE	LS on MExE support
S2-99655	T2 MExE	Second LS on MExE support
S2-99551	TSG N3	current status on N3 work on CS data services
S2-99550	TSG R2	Liaison Statement regarding the Interactions between Mobility Management and Radio Mobility
S2-99558	TSG R2	Liaison statement on chosen Logical and Transport Channel on the Radio Interface for Cell Broadcast Service in UMTS
S2-99535	TSG R3	LS about Overall Delay Budget within the Access Stratum Results and Requirements
S2-99552	TSG R3	Liaison Statement on CN Domain Identifiers used over the Iu & Iur interfaces
S2-99575	TSG R3	Reply to liaison statement from 3GPP TSG SA WG2 on cell broadcast service in UMTS
S2-99576	TSG R3	Liaison Statement on RAB Sub Flows concept and associated definitions
S2-99577	TSG R3	UMTS 25.832 Manifestations of Handover and SRNS Relocation v.2.1.1
S2-99578	TSG R3	Liaison Statement concerning Paging Co-Ordination
S2-99537	TSG S1	LS on User-to-User Signalling (UUS) Enhancements
S2-99538	TSG S1	Liaison statement concerning requirements for all-IP option for release 2000
S2-99556	TSG S1	Answer to LS TSGS5#2(99)051: Work distribution on charging & billing aspects between TSG S1 and TSG S5
S2-99536	TSG S3	Enhanced User Identity Confidentiality
S2-99539	TSG S3	Time constraints on the execution of cryptographic algorithms
S2-99545	TSG S3	Evolution to UMTS & R99 Security Features
S2-99548	TSG S3	Authentication for Mobile IP Operations in UMTS
S2-99501	TSG SA #4	System Architecture Issues identified to be solved urgently within TSG-S2
S2-99554	TSG T2	Response to LS on USSD Enhancements in GSM 02.90 Version 8.0.0
S2-99555	TSG T2 SWG6	Liaison statement to TSG SA WG2 on Information attributes for packet switched bearer services
S2-99549	TSGN1, N2, N-SS, S1, S2 joint meeting	3GPP Call Set-up Requirements for Circuit Switched Multimedia Telephony Service, version 1.1.0
S2-99573	TSGN1, N2, N-SS, S1, S2 joint meeting	CR 001 on 23.121 on Architecture for multimedia in the PS domain
S2-99592	TSGN1, N2, N-SS, S1, S2 joint meeting	CR 001r1 on 23.121 on Architecture for multimedia
S2-99534	TSG-SA WG3	Interoperation between UMTS and GSM
S2-99559	TSG-T3	Implications of GSM-UTRAN handover and GSM access on the USIM
S2-99560	TSG-T3	Parameters to be stored in the USIM

7.1.1.Outgoing LSs

TDoc #	Title	Previous versions	Answer to	Conclusion
S2-99587	Answer to S3 to the LS on Authentication for Mobile IP Operations in UMTS	-	S2-99548	approved.
S2-99590	Forward to S3 and R2 (Cc T3) to T3's LS on Parameters to be stored in the USIM	-	S2-99560	Approved
S2-99621	LS to R3 and N2 (CC S1, R2) on answer to Overall Delay Budget within the Access Stratum Results and Requirements	-	S2-99535	Approved.
S2-99623	Answer to R3 (Cc N1, R2) on Clarification of RAB Sub Flows concept and associated definitions	S2-99591	S2-99576	Approved.
S2-99633	Answer to S3, T3 (Cc N2) to the LS on Interoperation between UMTS and GSM	S2-99584	S2-99534	Approved.
S2-99634	Answer to S3, T3 (Cc N2) to the LS on Enhanced User Identity Confidentiality (check)	S2-99629	S2-99536	Approved.
S2-99635	Answer to S3, T3 (Cc N2) to the LS on Evolution to UMTS and R99 Security Features	S2-99630	S2-99545	Approved.
S2-99636	LS to S3 (Cc T3, R2, R3, N1, and N2) on answer to the LS on the time constraints on the execution of cryptographic algorithms	S2-99631	S2-99539	Approved.
S2-99637	Answer to R2 (Cc R3) to the LS on Interactions between Mobility Management and Radio Mobility	S2-99588, S2-99521	S2-99550	Approved.
S2-99638	Answer to S5 (Cc S1) to the LS on Work distribution on charging & billing aspects	S2-99589.	S2-99556	Approved.
S2-99641	LS to TSG N, N1 and N2 on the handling of 03.60	S2-99626	-	Approved
S2-99648	Answer to R3 (Cc N2) to the LS concerning Paging Co-Ordination	S2-99620	S2-99578	Approved
S2-99649	LS to S1 concerning requirements for all-IP option for release 2000	S2-99593	S2-99538	Approved
S2-99659	Answer to R3 (Cc N2) to the LS on CN Domain Identifiers used over the Iu & Iur Interfaces	S2-99622	S2-99552	Approved
S2-99660	LS to R2 and R3 concerning the Iu network layer services for the packet domain (CR A006r1 on 23.121 in S2-99612)	-	-	Approved
S2-99663	LS to S1 and S5 on Conformance requirements for volume based charging for IP domain	S2-99611, S2-99508	-	Approved
S2-99647	Answer to NSS and N3 on the LS on User-to-User Signalling (UUS) Enhancements	S2-99585	S2-99537	S2-99647 not available, S2-99585 sent instead
S2-99659	Answer to R3 on LS on CN Domain Identifiers used over the Iu & Iur Interfaces			Approved
S2-99657	Draft answer to T2SWG1 (on MExE) to the LS in S2-99655 on MExE support of QoS negotiation	-	S2-99655	Approved by e-mail
S2-99615	LS to SMG2, TSG RAN, TSG CN, TSG T (Cc TSG SA, SMG) concerning the work plan for all-IP option for release 2000	-	-	Approved
S2-99656	Draft answer to T2SWG1 (on MExE) to the LS in S2-99654 on MExE support of handover notifications	-	S2-99654	Not available (postponed)
S2-99658	Draft answer to T2SWG6 on the LS in S2-99655 on Information attributes for packet switched bearer services	-	S2-99555	postponed to next meeting

7.2. At SA2#7

7.2.1.Incoming LS

TDoc #	Source	Title	Conclusion
S2-99740	TIPIA	LS on IP telephony and multimedia applications	Noted.
S2-99728	N2	LS on tandem-free and out of band transcoder control	Some comments to be provided by e-mail.
S2-99730	S3	LS on Security interoperation between UMTS and GSM	Noted.
S2-99729	T1P1	Liaison Statement Concerning requirements for all-IP Option for Release 2000	Noted.

7.2.2.Outgoing LS

TDoc #	Destination	Title	Answer to	Comments	Action
S2-99795	N1, N2, N3	LS on addition of APN parameter in Network-requested PDP context activation procedure.	-	Revision of S2-99746.	sent
S2-99793	S3, T2, T3, N2 (CcS1)	LS on support of VHE/OSA stage 2	-	Revision of S2-99787.	sent
S2-99792	S1	LS on support of VHE/OSA stage 1 requirements in R99	-	Revision of S2-99786.	sent
S2-99796	N1 and N plenary	LS on Location Area concept	-	Revision of S2-99774.	sent
S2-99798	N1, N2, R3 (Cc R2, T2-SWG3)	LS on a Common Communication Mechanism to be used by the Cell Broadcast Service	-	Revision of S2-99779.	not available
S2-99790	NTT Commware	proposed LS to N1 on 24.007 and 24.011 responsibility	-	proposed LS based on S2-99756.	approved by e-mail

7.3. At SA2#8:

7.3.1.Incoming LS

TDoc #	Source	Title
S2-99899	T2	LS (Cc S2) about Synchronisation
S2-99898	T2	LS on CBS Functionality and Responsibility
S2-99897	T2SWG1 (MExE)	LS on QoS parameters
S2-99896	T2SWG6	TR21.904 v.0.0.4 Terminal Capabilities Report, interim version
S2-99895	S4	LS on Tandem Free Operation, Transcoder Free Operation, DTMF Signalling
S2-99894	S4	LS on Comments on the revised version of ITU-R TG8/1 Recommendation M.1079
S2-99900	T2	LS on ICG contact persons
S2-99834	R2	LS to S2 cc T3, S3 on parameters to be stored in the USIM
S2-99832	N1	Response to LSs on MExE support of QoS negotiation and handover notifications.
S2-99831	R3	Answer to LS from CN2 (Cc SA2) on CN Domain Identifiers used over the Iu & Iur interfaces

S2-99830	R3	LS to CN WG2 (Cc SA2) on the allocation of an SSN for RNSAP
S2-99829	T2 SWG5	LS on Definitions for usage of Multi-mode/system terminals
S2-99828	R3	Response liaison on Clarification of RAB Sub Flows concept and associated definitions
S2-99827	R3	LS to SA2, SA4, N3 on the Iu User Plane (UP) specification status in RAN WG3
S2-99826	R3	LS (Cc S2) regarding Relocation and GSM-UMTS handover
S2-99825	S3	Response to the LS on Enhanced User Identity Confidentiality (S2-99634/S3-99226d)
S2-99967	N3	LS on RAB requirements for CS data
S2-99835	R1	LS to R2 (Cc S2) on answer to LCS liaison (Cc SA2)
S2-99954	N2B	LS to S2 and N1 on combined mobility management
S2-99966	N1	Response to the LS to S2, CN, N3 (Cc R2) on Location Area concept
S2-99937	N3	current status on N3 work on CS data services

7.3.2.Outgoing LS

TDoc #	Title	Remark	Conclusion
S2-99902	LS to S4 (Cc S1, N2) on answer to the LS on Tandem Free Operation, Transcoder Free Operation, DTMF Signalling	Based on S2-99895.	Approved.
S2-99905	LS to T2 on IGC contact persons	Answer to S2-99900.	Approved.
S2-99919	LS to N1, N2, T2, S4 on Multimedia Call Control for UMTS R 99		Approved.
S2-99924	LS to S1 (Cc S5) on Liaison Statement: QoS Charging-Sensitive Parameters	23.907 should be included to the LS.	Approved.
S2-99934	LS to SMG2 to inform them on the status of all-IP development in S2		Approved.
S2-99947	LS to N2 on the combined MAP operations	Answer to S2-99837.	Approved and sent during the meeting.
S2-99957	LS to N1 on ciphering of the initial message		Approved by e-mail before the meeting
S2-99962	LS to S1, R2, R3 on SRNS Relocation and handover		Approved.
S2-99987	LS to TSG T WG2 SWG1 (MExE) (Cc N1) on Response to LS on QoS parameters	Answer to S2-99897.	Approved.
S2-99988	LS to N3 (Cc S1, R2, R3, N1) on Response on RAB requirements for CS data and architecture for CS data services	Answer to S2-99967.	Approved.
S2-99989	LS to R3 on Response on Clarification of RAB Sub Flows concept and associated definitions	Answer to S2-99828.	Approved.
S2-99990	LS to N1,N3, S1, R2 and R3 on UMTS and RAB parameter value ranges and granularity		Approved.
S2-99992	LS to T2 on Answer to the LS on CBS Functionality and Responsibility	Answer to S2-99898.	Approved.
S2-99993	LS to N2, N1, SMG2 WP A, RAN3 on inter-3G MSC		Approved.
S2-99995	LS to N1, TSG CN, RAN3 on Response to the LS on Location Area concept		Approved.
S2-99996	LS to N1, R3 (Cc R2) on registration areas and on hierarchical tracking concept specification status in SA WG2		Approved.
S2-99997	LS to N2, N1 on combined procedures Answer to LS S2-99954 (N2-99D32)		Approved.
S2-99999	LS to N1, N3 on the Iu UP protocol framing of NAS		Approved.

	user data		
S2-99A00	LS to S3 (Cc S1, C2, T3, N1, IGC on Security) on Enhanced User Identity Confidentiality		Approved.

8. Annex D: List of SA#5 tdocs related to S2

SP-99386	Status report of SA WG2	5.2.1
SP-99387	TS 23.107 v.2.0.0, QoS Concept and Architecture	5.2.3
SP-99388	TR 23.922 v.1.0.0, Architecture for an all-IP network	5.2.3
SP-99389	TR 23.923 v.1.0.0, Combined GSM and Mobile IP Mobility Handling in UMTS IP CN	5.2.3
SP-99390	TR 30.801 v.1.0.0, Overall Project Plan	5.2.3
SP-99391	TR 30.802 v.1.0.0, Project plan on Bearer Services and QoS	5.2.3
SP-99392	TR 30.804 v.1.0.0, Project plan on GSM/UMTS Interoperation and Mobility Management	5.2.3
SP-99393	TR 30.806 v.1.0.0, Project plan on Location based services	5.2.3
SP-99394	TR 30.808 v.1.0.0, Project plan on Packet Architecture and Circuit Architecture	5.2.3
SP-99395	TR 30.810 v.1.0.0, Project plan on Security	5.2.3
SP-99396	TR 30.812 v.1.0.0, Project plan on Services and Service Platforms	
SP-99397	CRs on 23.002 v.3.0.0	
SP-99398	CRs on 23.060 v.3.0.0	
SP-99399	CRs on 23.110 v.3.1.0	
SP-99400	CRs on 23.121 v.3.0.0	
SP-99401	CRs on 23.920 v.3.0.0	
SP-99408	TS 23.171 v.1.0.0	
SP-99409	TS 23.127 v.0.2.1	