

**TSG-RAN Meeting #14
Kyoto, Japan, 11 - 14, December, 2001**

TSGRP#14(01) 0864

Title: Agreed CRs to TS 25.434

Source: TSG-RAN WG3

Agenda item: 8.3.3/8.3.4/9.4.3

RP Tdoc	R3 Tdoc	Spec	CR_Num	Rev	Release	CR_Subject	Cat	Cur_Ver	New_Ver	Workitem
RP-010864	R3-013488	25.434	014	1	Rel-4	Missing PCH References	A	4.1.0	4.2.0	TEI
RP-010864	R3-013487	25.434	013	1	R99	Missing PCH References	F	3.5.0	3.6.0	TEI
RP-010864	R3-013207	25.434	012		Rel-4	Reference corrections	A	4.1.0	4.2.0	TEI
RP-010864	R3-013206	25.434	011		R99	Reference corrections	F	3.5.0	3.6.0	TEI

CHANGE REQUEST

⌘ **25.434 CR 011** ⌘ rev **-** ⌘ Current version: **3.5.0** ⌘

For **HELP** on using this form, see bottom of this page or look at the pop-up text over the ⌘ symbols.

Proposed change affects: ⌘ (U)SIM ME/UE Radio Access Network Core Network

Title:	⌘ Reference corrections		
Source:	⌘ R-WG3		
Work item code:	⌘ TEI	Date:	⌘ November, 2001
Category:	⌘ F	Release:	⌘ R99
	<i>Use one of the following categories:</i> F (essential correction) A (corresponds to a correction in an earlier release) B (Addition of feature), C (Functional modification of feature) D (Editorial modification)		<i>Use one of the following releases:</i> 2 (GSM Phase 2) R96 (Release 1996) R97 (Release 1997) R98 (Release 1998) R99 (Release 1999) REL-4 (Release 4) REL-5 (Release 5)
	Detailed explanations of the above categories can be found in 3GPP TR 21.900.		

Reason for change:	⌘ Reference of 1999 for Q.2630.1 is ambiguous. There are several versions of Q.2630.1 that were pre-published in 1999 including, 3/99, 6/99 and 12/99. Of these only the 12/99 version should be used. There are protocol differences amongst the versions that would create interworking problems.
Summary of change:	⌘ Make explicit that 12/99 version of Q.2630.1 is to be used. Corrected usage of reference tag in the procedural text for references without month/date format, i.e. I.361, I.363.2, I.366.1, Q.2110, Q.2130, Q.2210, I.610.
	Impact Analysis: Impact assessment towards the previous version of the specification (same release): This CR has isolated impact with the previous version of the specification (same release) because previous implementations may have not been clear which version of specification to apply. This CR has an impact under protocol point of view. The impact can be considered isolated because the change affects one system function.
Consequences if not approved:	⌘ If not approved, there would be interworking problems as there are protocol incompatibilities between the different versions of Q.2630.1. Also, the missing or incomplete references for the other specifications may lead to ambiguous or unclear version to use.

Clauses affected:	⌘ 2	
Other specs affected:	<input checked="" type="checkbox"/> Other core specifications <input type="checkbox"/> Test specifications <input type="checkbox"/> O&M Specifications	⌘ TS 25.434 REL-4 CR012

Other comments: ☞

How to create CRs using this form:

Comprehensive information and tips about how to create CRs can be found at: http://www.3gpp.org/3G_Specs/CRs.htm. Below is a brief summary:

- 1) Fill out the above form. The symbols above marked ☞ contain pop-up help information about the field that they are closest to.
- 2) Obtain the latest version for the release of the specification to which the change is proposed. Use the MS Word "revision marks" feature (also known as "track changes") when making the changes. All 3GPP specifications can be downloaded from the 3GPP server under <ftp://www.3gpp.org/specs/> For the latest version, look for the directory name with the latest date e.g. 2000-09 contains the specifications resulting from the September 2000 TSG meetings.
- 3) With "track changes" disabled, paste the entire CR form (use CTRL-A to select it) into the specification just in front of the clause containing the first piece of changed text. Delete those parts of the specification which are not relevant to the change request.

2 References

The following documents contain provisions which, through reference in this text, constitute provisions of the present document.

- References are either specific (identified by date of publication, edition number, version number, etc.) or non-specific.
- For a specific reference, subsequent revisions do not apply.
- For a non-specific reference, the latest version applies. In the case of a reference to a 3GPP document (including a GSM document), a non-specific reference implicitly refers to the latest version of that document *in the same Release as the present document*.

[1] ITU-T Recommendation I.363.2 (9/1997): "B-ISDN ATM Adaptation Layer type 2".

[2] ITU-T Recommendation I.366.1 (6/1998): "Segmentation and Reassembly Service Specific Convergence Sublayer for the AAL type 2".

[3] ITU-T Recommendation Q.2630.1 (12/1999): "AAL type 2 Signalling Protocol (Capability Set 1)".

[4] ITU-T Recommendation Q.2110 (7/1994): "B-ISDN ATM Adaptation layer – Service Specific Connection Oriented Protocol (SSCOP)".

[5] ITU-T Recommendation Q.2130 (7/1994): "B-ISDN Signalling ATM Adaptation Layer – Service Specific Coordination Function for Support of Signalling at the User Network Interface (SSCF at UNI)".

[6] ITU-T Recommendation Q.2150.2 (12/99): "AAL type 2 signalling transport converter on SSCOP".

[7] ITU-T Recommendation I.361 (11/1995): "B-ISDN ATM Layer Specification".

[8] ITU-T Recommendation I.630 (2/1999): "ATM Protection Switching".

CHANGE REQUEST

⌘ **25.434 CR 012** ⌘ rev **-** ⌘ Current version: **4.1.0** ⌘

For **HELP** on using this form, see bottom of this page or look at the pop-up text over the ⌘ symbols.

Proposed change affects: ⌘ (U)SIM ME/UE Radio Access Network Core Network

Title:	⌘ Reference corrections		
Source:	⌘ R-WG3		
Work item code:	⌘ TEI	Date:	⌘ November, 2001
Category:	⌘ A	Release:	⌘ REL-4
<p>Use <u>one</u> of the following categories:</p> <p>F (essential correction) A (corresponds to a correction in an earlier release) B (Addition of feature), C (Functional modification of feature) D (Editorial modification)</p> <p>Detailed explanations of the above categories can be found in 3GPP TR 21.900.</p>		<p>Use <u>one</u> of the following releases:</p> <p>2 (GSM Phase 2) R96 (Release 1996) R97 (Release 1997) R98 (Release 1998) R99 (Release 1999) REL-4 (Release 4) REL-5 (Release 5)</p>	

Reason for change:	⌘ Reference of 1999 for Q.2630.1 is ambiguous. There are several versions of Q.2630.1 that were pre-published in 1999 including, 3/99, 6/99 and 12/99. Of these only the 12/99 version should be used. There are protocol differences amongst the versions that would create interworking problems.
Summary of change:	⌘ Make explicit that 12/99 version of Q.2630.1 is to be used. Corrected usage of reference tag in the procedural text for references without month/date format, i.e. I.361, I.366.1, Q.2110, Q.2130, Q.2210, I.610.
	<p>Impact Analysis:</p> <p>Impact assessment towards the previous version of the specification (same release): This CR has isolated impact with the previous version of the specification (same release) because previous implementations may have not been clear which version of specification to apply.</p> <p>This CR has an impact under protocol point of view. The impact can be considered isolated because the change affects one system function.</p>
Consequences if not approved:	⌘ If not approved, there would be interworking problems as there are protocol incompatibilities between the different versions of Q.2630.1. Also, the missing or incomplete references for the other specifications may lead to ambiguous or unclear version to use.

Clauses affected:	⌘ 2	
Other specs affected:	⌘ <input checked="" type="checkbox"/> Other core specifications <input type="checkbox"/> Test specifications <input type="checkbox"/> O&M Specifications	⌘ TS 25.434 R99 CR011

Other comments: ☹

How to create CRs using this form:

Comprehensive information and tips about how to create CRs can be found at: http://www.3gpp.org/3G_Specs/CRs.htm. Below is a brief summary:

- 1) Fill out the above form. The symbols above marked ☹ contain pop-up help information about the field that they are closest to.
- 2) Obtain the latest version for the release of the specification to which the change is proposed. Use the MS Word "revision marks" feature (also known as "track changes") when making the changes. All 3GPP specifications can be downloaded from the 3GPP server under <ftp://www.3gpp.org/specs/> For the latest version, look for the directory name with the latest date e.g. 2000-09 contains the specifications resulting from the September 2000 TSG meetings.
- 3) With "track changes" disabled, paste the entire CR form (use CTRL-A to select it) into the specification just in front of the clause containing the first piece of changed text. Delete those parts of the specification which are not relevant to the change request.

2 References

The following documents contain provisions which, through reference in this text, constitute provisions of the present document.

- References are either specific (identified by date of publication, edition number, version number, etc.) or non-specific.
- For a specific reference, subsequent revisions do not apply.
- For a non-specific reference, the latest version applies. In the case of a reference to a 3GPP document (including a GSM document), a non-specific reference implicitly refers to the latest version of that document *in the same Release as the present document*.

[1] ITU-T Recommendation I.363.2 (11/2000): "B-ISDN ATM Adaptation Layer type 2".

[2] ITU-T Recommendation I.366.1 (~~6/4998~~): "Segmentation and Reassembly Service Specific Convergence Sublayer for the AAL type 2".

[3] ITU-T Recommendation Q.2630.1 (~~12/4999~~): "AAL type 2 Signalling Protocol (Capability Set 1)".

[4] ITU-T Recommendation Q.2110 (~~7/4994~~): "B-ISDN ATM Adaptation layer – Service Specific Connection Oriented Protocol (SSCOP)".

[5] ITU-T Recommendation Q.2130 (~~7/4994~~): "B-ISDN Signalling ATM Adaptation Layer – Service Specific Coordination Function for Support of Signalling at the User Network Interface (SSCF at UNI)".

[6] ITU-T Recommendation Q.2150.2 (12/99): "AAL type 2 signalling transport converter on SSCOP".

[7] ITU-T Recommendation I.361 (~~11/4995~~): "B-ISDN ATM Layer Specification".

[8] ITU-T Recommendation I.630 (~~2/4999~~): "ATM Protection Switching".

[9] ITU-T Recommendation Q.2630.2 (12/2000): "AAL Type 2 signalling protocol (Capability Set 2)".

CR-Form-v3

CHANGE REQUEST

⌘ **25.434 CR 013** ⌘ rev **1** ⌘ Current version: **3.5.0** ⌘

For **HELP** on using this form, see bottom of this page or look at the pop-up text over the ⌘ symbols.

Proposed change affects: ⌘ (U)SIM ME/UE Radio Access Network Core Network

Title:	⌘ Missing PCH References		
Source:	⌘ R-WG3		
Work item code:	⌘ TEI	Date:	⌘ November 2001
Category:	⌘ F	Release:	⌘ R99
	<i>Use one of the following categories:</i> F (essential correction) A (corresponds to a correction in an earlier release) B (Addition of feature), C (Functional modification of feature) D (Editorial modification)		<i>Use one of the following releases:</i> 2 (GSM Phase 2) R96 (Release 1996) R97 (Release 1997) R98 (Release 1998) R99 (Release 1999) REL-4 (Release 4) REL-5 (Release 5)
	Detailed explanations of the above categories can be found in 3GPP TR 21.900.		

Reason for change:	⌘ In the present version of 25.434 there are no references to PCH channel in the text of Sections 5.1 and 5.2. A reference to PCH is also missing in Figure 1, both in the drawing and in the legend.
Summary of change:	⌘ Add a reference to PCH in the text of Sections 5.1, 5.2 and in Figure 1.
Consequences if not approved:	⌘ If this CR is not approved, then there will be a non-essential omission in the specification. <u>Impact Analysis:</u> This CR has no impact on the previous version of the specification (same release).

Clauses affected:	⌘ 5.1, 5.2		
Other specs affected:	⌘ <input checked="" type="checkbox"/> Other core specifications	⌘ TS 25.434 v4.1.0 CR014	
	<input type="checkbox"/> Test specifications		
	<input type="checkbox"/> O&M Specifications		
Other comments:	⌘		

How to create CRs using this form:

Comprehensive information and tips about how to create CRs can be found at: http://www.3gpp.org/3G_Specs/CRs.htm. Below is a brief summary:

- 1) Fill out the above form. The symbols above marked ⌘ contain pop-up help information about the field that they are closest to.
- 2) Obtain the latest version for the release of the specification to which the change is proposed. Use the MS Word "revision marks" feature (also known as "track changes") when making the changes. All 3GPP specifications can be downloaded from the 3GPP server under <ftp://www.3gpp.org/specs/> For the latest version, look for the directory name with the latest date e.g. 2000-09 contains the specifications resulting from the September 2000 TSG meetings.
- 3) With "track changes" disabled, paste the entire CR form (use CTRL-A to select it) into the specification just in front of the clause containing the first piece of changed text. Delete those parts of the specification which are not relevant to the change request.

5 I_{ub} Data Transport for Common Transport Channel Data Streams

5.1 Introduction

This chapter specifies the transport layers that support Common Transport Channel (FACH, RACH, CPCH [FDD], PCH, DSCH, USCH [TDD]) data streams.

5.2 Transport Layer

ATM and AAL2 (I363.2 [1] and I366.1 [2]) are used at the standard transport layer for Iub RACH, CPCH [FDD] FACH, PCH, DSCH, USCH [TDD] data streams.

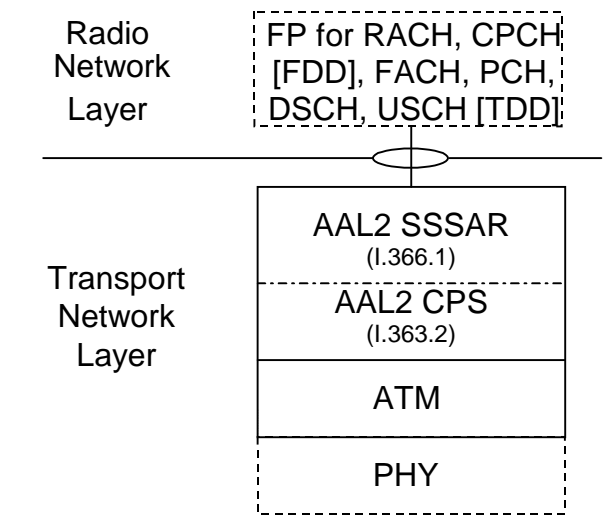


Figure 1: Protocol stack for RACH, CPCH [FDD], FACH, PCH, DSCH and USCH [TDD] Iub data stream transport

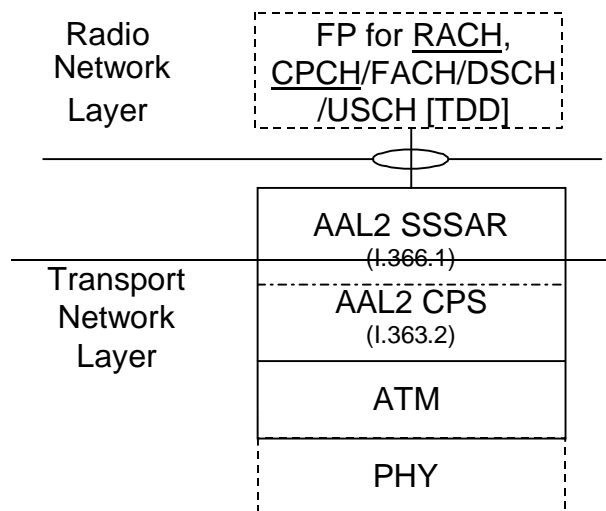


Figure 1: Protocol stack for RACH, CPCH [FDD], FACH, and DSCH Iub data stream transport

Figure 1 shows the protocol stack for the transport of RACH, CPCH [FDD], FACH, PCH, DSCH and USCH [TDD] Iub data streams. The Service Specific Segmentation and Reassembly (SSSAR) sublayer is used for the segmentation and reassembly of AAL2 SDUs (i.e. SSSAR is only considered from I366.1).

CR-Form-v3

CHANGE REQUEST

⌘ **25.434 CR 014** ⌘ rev **1** ⌘ Current version: **4.1.0** ⌘

For **HELP** on using this form, see bottom of this page or look at the pop-up text over the ⌘ symbols.

Proposed change affects: ⌘ (U)SIM ME/UE Radio Access Network Core Network

Title:	⌘ Missing PCH References		
Source:	⌘ R-WG3		
Work item code:	⌘ TEI	Date:	⌘ November 2001
Category:	⌘ A	Release:	⌘ REL-4
	<i>Use one of the following categories:</i> F (essential correction) A (corresponds to a correction in an earlier release) B (Addition of feature), C (Functional modification of feature) D (Editorial modification)		<i>Use one of the following releases:</i> 2 (GSM Phase 2) R96 (Release 1996) R97 (Release 1997) R98 (Release 1998) R99 (Release 1999) REL-4 (Release 4) REL-5 (Release 5)
	Detailed explanations of the above categories can be found in 3GPP TR 21.900.		

Reason for change:	⌘ In the present version of 25.434 there are no references to PCH channel in the text of Sections 5.1 and 5.2. A reference to PCH is also missing in Figure 1, both in the drawing and in the legend.
Summary of change:	⌘ Add a reference to PCH in the text of Sections 5.1, 5.2 and in Figure 1.
Consequences if not approved:	⌘ If this CR is not approved, then there will be a non-essential omission in the specification. <u>Impact Analysis:</u> This CR has no impact on the previous version of the specification (same release).

Clauses affected:	⌘ 5.1, 5.2	
Other specs affected:	⌘ <input checked="" type="checkbox"/> Other core specifications	⌘ TS 25.434 v3.5.0 CR013
	<input type="checkbox"/> Test specifications	
	<input type="checkbox"/> O&M Specifications	
Other comments:	⌘	

How to create CRs using this form:

Comprehensive information and tips about how to create CRs can be found at: http://www.3gpp.org/3G_Specs/CRs.htm. Below is a brief summary:

- 1) Fill out the above form. The symbols above marked ¶ contain pop-up help information about the field that they are closest to.
- 2) Obtain the latest version for the release of the specification to which the change is proposed. Use the MS Word "revision marks" feature (also known as "track changes") when making the changes. All 3GPP specifications can be downloaded from the 3GPP server under <ftp://www.3gpp.org/specs/> For the latest version, look for the directory name with the latest date e.g. 2000-09 contains the specifications resulting from the September 2000 TSG meetings.
- 3) With "track changes" disabled, paste the entire CR form (use CTRL-A to select it) into the specification just in front of the clause containing the first piece of changed text. Delete those parts of the specification which are not relevant to the change request.

5 I_{ub} Data Transport for Common Transport Channel Data Streams

5.1 Introduction

This chapter specifies the transport layers that support Common Transport Channel (FACH, RACH, CPCH [FDD], PCH, DSCH, USCH [TDD]) data streams.

5.2 Transport Layer

ATM and AAL2 (I363.2 [1] and I366.1 [2]) are used at the standard transport layer for Iub RACH, CPCH [FDD] FACH, PCH, DSCH, USCH [TDD] data streams.

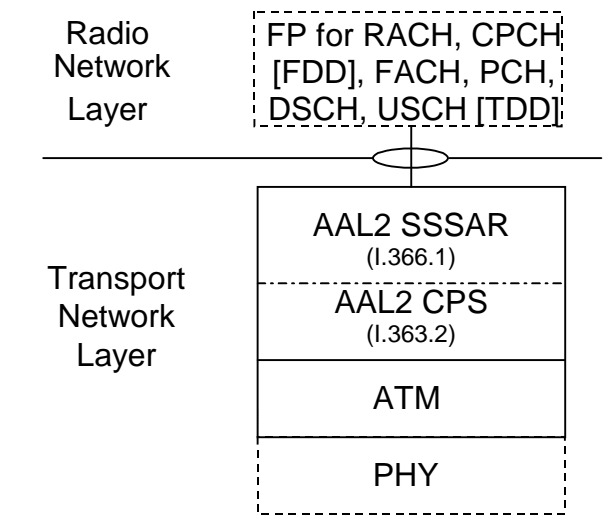


Figure 1: Protocol stack for RACH, CPCH [FDD], FACH, PCH, DSCH and USCH [TDD] Iub data stream transport

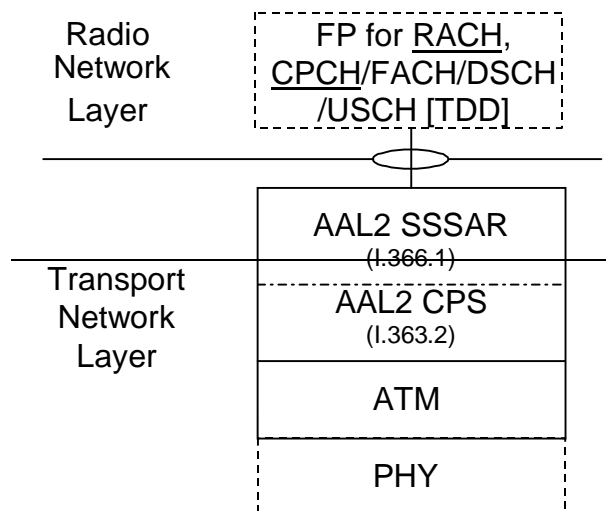


Figure 1: Protocol stack for RACH, CPCH [FDD], FACH, and DSCH Iub data stream transport

Figure 1 shows the protocol stack for the transport of RACH, CPCH [FDD], FACH, PCH, DSCH and USCH [TDD] Iub data streams. The Service Specific Segmentation and Reassembly (SSSAR) sublayer is used for the segmentation and reassembly of AAL2 SDUs (i.e. SSSAR is only considered from I366.1).