

**TSG-RAN Meeting #9
Hawaii, US, 20 - 22 September 2000**

TSGRP#9(00)0383

Title: Agreed CRs to TS 25.426

Source: TSG-RAN WG3

Agenda item: 5.3.3

Tdoc_Num	Specification	CR_Num	Revision_Num	CR_Subject	CR_Category	WG_Status	Cur_Ver_Num	New_Ver_Num
R3-002273	25.426	003	1	AAL2 switching possibility	F	agreed	3.3.0	3.4.0
R3-002070	25.426	004		Remove Draft in the title of the reference Q.2630.1 and Q.2150.2 in 25.426	F	agreed	3.3.0	3.4.0
R3-002174	25.426	006		Additon of reference for usage of MTP3b on lur	F	agreed	3.3.0	3.4.0

CHANGE REQUEST		Please see embedded help file at the bottom of this page for instructions on how to fill in this form correctly.	
25.426	CR	003R1	Current Version: 3.2.0.
GSM (AA.BB) or 3G (AA.BBB) specification number ↑		↑ CR number as allocated by MCC support team	
For submission to: TSG RAN #9 <small>list expected approval meeting # here ↑</small>	for approval <input checked="" type="checkbox"/>	strategic <input type="checkbox"/>	(for SMG use only)
	for information <input type="checkbox"/>	non-strategic <input type="checkbox"/>	

Form: CR cover sheet, version 2 for 3GPP and SMG The latest version of this form is available from: <ftp://ftp.3gpp.org/Information/CR-Form-v2.doc>

Proposed change affects: (U)SIM ME UTRAN / Radio Core Network
(at least one should be marked with an X)

Source: R-WG3 **Date:** August 2000

Subject: AAL2 switching possibility

Work item:

Category:	F Correction <input checked="" type="checkbox"/> A Corresponds to a correction in an earlier release <input type="checkbox"/> B Addition of feature <input type="checkbox"/> C Functional modification of feature <input type="checkbox"/> D Editorial modification <input type="checkbox"/>	Release:	Phase 2 <input type="checkbox"/> Release 96 <input type="checkbox"/> Release 97 <input type="checkbox"/> Release 98 <input type="checkbox"/> Release 99 <input checked="" type="checkbox"/> Release 00 <input type="checkbox"/>
------------------	--	-----------------	--

(only one category shall be marked with an X)

Reason for change:

R1:
Complete ambiguous sentences have been removed.

R0:
Contribution R3-001831 (Architectural model clarifications) points out unclarity in 25.426 related to AAL2 switching possibility at lub and lur.

This CR clarifies that AAL2 switching is possible at lub and lur interfaces.

Clauses affected: 7.1., 8.1.

Other specs affected:	Other 3G core specifications <input type="checkbox"/> Other GSM core specifications <input type="checkbox"/> MS test specifications <input type="checkbox"/> BSS test specifications <input type="checkbox"/> O&M specifications <input type="checkbox"/>	→ List of CRs: → List of CRs: → List of CRs: → List of CRs: → List of CRs:	
------------------------------	---	--	--

Other comments:



help.doc

<----- double-click here for help and instructions on how to create a CR

7.1 Introduction

This clause specifies the signalling bearer for the ALCAP on Iub interface. ~~Signalling bearer is used for the conveyance of the ALCAP messages between the peer UTRAN nodes.~~

7.2 Signalling Bearer

SAAL-UNI [8, 9] is used as a signalling bearer for the AAL Type 2 Signalling protocol on Iub interface. Signalling Transport Converter for SSCOP is applied [9]. The following figure shows the signalling bearer protocol stack for the ALCAP on Iub interface.

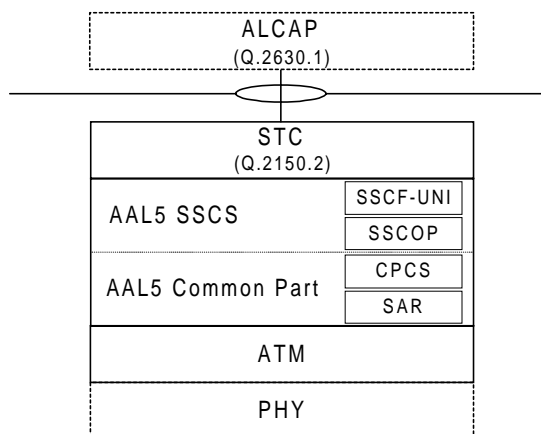


Figure 2: Signalling bearer for ALCAP on Iub interface

8 Signalling Bearer for ALCAP on I_{ur} Interface

8.1 Introduction

This clause specifies the signalling bearer for the ALCAP on the Iur interface. ~~Signalling bearer is used for the conveyance of the ALCAP messages between the peer UTRAN nodes.~~

CHANGE REQUEST

Please see embedded help file at the bottom of this page for instructions on how to fill in this form correctly.

25.426

CR 004

Current Version: **3.3.0**

GSM (AA.BB) or 3G (AA.BBB) specification number ↑

↑ CR number as allocated by MCC support team

For submission to: TSG-RAN#9

list expected approval meeting # here ↑

for approval
 for information

Strategic (for SMG use only)
 non-strategic

Form: CR cover sheet, version 2 for 3GPP and SMG The latest version of this form is available from: <http://ftp.3gpp.org/Information/CR-Form-v2.doc>

Proposed change affects:

(at least one should be marked with an X)

(U)SIM ME UTRAN / Radio Core Network

Source:

R-WG3

Date:

August 2000

Subject:

Remove "Draft" in the title of the reference Q.2630.1 and Q.2150.2 in 25.426

Work item:

Category:

(only one category shall be marked with an X)

F Correction
 A Corresponds to a correction in an earlier release
 B Addition of feature
 C Functional modification of feature
 D Editorial modification

Release:

Phase 2
 Release 96
 Release 97
 Release 98
 Release 99
 Release 00

Reason for change:

The title of the reference Q.2630.1 and Q.2150.2 are still shown as darft, however Q.2630.1 and Q.2150.2 have been decision in the ITU-T December 1999 SG11 meeting. The "Draft" is removed in order to show that the 25.434 is referring to the latest recommendation of Q.2630.1 and Q.2150.2

Clauses affected:

2

Other specs affected:

Other 3G core specifications → List of CRs:
 Other GSM core specifications → List of CRs:
 MS test specifications → List of CRs:
 BSS test specifications → List of CRs:
 O&M specifications → List of CRs:

Other comments:



help.doc

<----- double-click here for help and instructions on how to create a CR.

1 Scope

The present document specifies the transport bearers for the DCH data streams on UTRAN Iur and Iub interfaces. The corresponding Transport Network Control plane is also specified. The physical layer for the transport bearers is outside the scope of the present document.

2 References

The following documents contain provisions which, through reference in this text, constitute provisions of the present document.

- References are either specific (identified by date of publication, edition number, version number, etc.) or non-specific.
- For a specific reference, subsequent revisions do not apply.
- For a non-specific reference, the latest version applies.

- [1] TS UMTS 25.427: "UTRAN Iur and Iub User plane Protocol for DCH Data Streams".
- [2] ITU-T Recommendation I.361 (1995): "B-ISDN ATM Layer Specification".
- [3] ITU-T Recommendation I.363.2 (1997): "B-ISDN ATM Adaptation Layer type 2".
- [4] ITU-T Recommendation I.366.1 (1998): "Segmentation and Reassembly Service Specific Convergence Sublayer for the AAL type 2".
- [5] ~~Draft-n~~New ITU-T Recommendation Q.2630.1(1999): "AAL Type 2 signalling protocol (Capability Set 1)".
- [6] ITU-T Recommendation E.191 (1996): "B-ISDN numbering and addressing".
- [7] ITU-T Recommendation X.213 (1995): "Information Technology - Open Systems Interconnection - Network Service Definition".
- [8] ITU-T Recommendation Q.2110 (1994): "B-ISDN ATM Adaptation layer - Service Specific Connection Oriented Protocol (SSCOP)".
- [9] ITU-T Recommendation Q.2130 (1994): "B-ISDN Signaling ATM Adaptation Layer - Service Specific Coordination Function for Support of Signaling at the User Network Interface (SSCF at UNI)".
- [10] Draft new ITU-T Recommendation Q.2150.2: "AAL Type 2 Signalling Transport Converter on SSCOP".
- [11] ITU-T Recommendation Q.2210 (1996): Message transfer part level 3 functions and messages using the services of the ITU-T Recommendation Q.2140".
- [12] ITU-T Recommendation Q.2140 (1995): "B-ISDN Signaling ATM Adaptation Layer - Service Specific Coordination Function for Support of Signaling at the Network Node Interface (SSCF at NNI)".
- [13] ~~Draft-n~~New ITU-T Recommendation Q.2150.1(1999): "AAL Type 2 Signalling Transport Converter on MTP-3B".
- [14] IETF RFC 791 (1981): "Internet Protocol".
- [15] IETF RFC 1483 (1993): "Multiprotocol Encapsulation over ATM Adaptation Layer 5".
- [16] IETF RFC 2225 (1998): "Classical IP and ARP over ATM".
- [17] IETF RFC 768 (1980): "User Datagram Protocol".

- [18] R. Stewart et al, "Stream Control Transmission Protocol", draft-ietf-sigtran-sctp-v9.txt (IESG Last Call Version), IETF, 19 April 2000.
 - [19] G. Sidebottom et al, "SS7 MTP3 - User Adaptation Layer", draft-ietf-sigtran-m3ua-02.txt (Work In Progress), IETF, 10 March 2000.
 - [20] ITU-T Recommendation I.630 (1999): "ATM Protection Switching".
-

CHANGE REQUEST		Please see embedded help file at the bottom of this page for instructions on how to fill in this form correctly.
25.426	CR 006	Current Version: 3.3.0
GSM (AA.BB) or 3G (AA.BBB) specification number ↑	↑ CR number as allocated by MCC support team	
For submission to: RAN#9 <small>list expected approval meeting # here</small>	for approval <input checked="" type="checkbox"/> for information <input type="checkbox"/>	strategic <input type="checkbox"/> non-strategic <input type="checkbox"/> <small>(for SMG use only)</small>

Form: CR cover sheet, version 2 for 3GPP and SMG The latest version of this form is available from: <http://ftp.3gpp.org/Information/CR-Form-v2.doc>

Proposed change affects: (U)SIM ME UTRAN / Radio Core Network
(at least one should be marked with an X)

Source: R-WG3 **Date:** 2000-08-21

Subject: Addition of reference for usage of MTP3b on Iur

Work item: _____

Category:	F Correction <input checked="" type="checkbox"/> A Corresponds to a correction in an earlier release <input type="checkbox"/> B Addition of feature <input type="checkbox"/> C Functional modification of feature <input type="checkbox"/> D Editorial modification <input type="checkbox"/>	Release:	Phase 2 <input type="checkbox"/> Release 96 <input type="checkbox"/> Release 97 <input type="checkbox"/> Release 98 <input type="checkbox"/> Release 99 <input checked="" type="checkbox"/> Release 00 <input type="checkbox"/>
------------------	--	-----------------	--

(only one category shall be marked with an X)

Reason for change: Currently the text in 25.426 refers to the ITU-T recommendation for Q.2210 only. This CR proposes to also add a reference to the implementor's guide for Q.2210 which is to be used in conjunction with the recommendation itself. It contains essential information for the Iur interface such as a new service indicator for AAL2 Signalling Transport Converter.

If this change is not included, an incorrect value for the STC could be used.

Clauses affected: 2, 8.2

Other specs affected:	Other 3G core specifications <input type="checkbox"/> Other GSM core specifications <input type="checkbox"/> MS test specifications <input type="checkbox"/> BSS test specifications <input type="checkbox"/> O&M specifications <input type="checkbox"/>	→ List of CRs: → List of CRs: → List of CRs: → List of CRs: → List of CRs:	
------------------------------	---	--	--

Other comments: _____



help.doc

<----- double-click here for help and instructions on how to create a CR

2 References

The following documents contain provisions which, through reference in this text, constitute provisions of the present document.

- References are either specific (identified by date of publication, edition number, version number, etc.) or non-specific.
- For a specific reference, subsequent revisions do not apply.
- For a non-specific reference, the latest version applies.

- [1] TS UMTS 25.427: "UTRAN Iur and Iub User plane Protocol for DCH Data Streams".
- [2] ITU-T Recommendation I.361 (1995): "B-ISDN ATM Layer Specification".
- [3] ITU-T Recommendation I.363.2 (1997): "B-ISDN ATM Adaptation Layer type 2".
- [4] ITU-T Recommendation I.366.1 (1998): "Segmentation and Reassembly Service Specific Convergence Sublayer for the AAL type 2".
- [5] Draft new ITU-T Recommendation Q.2630.1: "AAL Type 2 signalling protocol (Capability Set 1)".
- [6] ITU-T Recommendation E.191 (1996): "B-ISDN numbering and addressing".
- [7] ITU-T Recommendation X.213 (1995): "Information Technology - Open Systems Interconnection - Network Service Definition".
- [8] ITU-T Recommendation Q.2110 (1994): "B-ISDN ATM Adaptation layer - Service Specific Connection Oriented Protocol (SSCOP)".
- [9] ITU-T Recommendation Q.2130 (1994): "B-ISDN Signaling ATM Adaptation Layer - Service Specific Coordination Function for Support of Signaling at the User Network Interface (SSCF at UNI)".
- [10] Draft new ITU-T Recommendation Q.2150.2: "AAL Type 2 Signalling Transport Converter on SSCOP".
- [11] ITU-T Recommendation Q.2210 (1996): Message transfer part level 3 functions and messages using the services of the ITU-T Recommendation Q.2140".
- [12] ITU-T Recommendation Q.2140 (1995): "B-ISDN Signaling ATM Adaptation Layer - Service Specific Coordination Function for Support of Signaling at the Network Node Interface (SSCF at NNI)".
- [13] Draft new ITU-T Recommendation Q.2150.1: "AAL Type 2 Signalling Transport Converter on MTP-3B".
- [14] IETF RFC 791 (1981): "Internet Protocol".
- [15] IETF RFC 1483 (1993): "Multiprotocol Encapsulation over ATM Adaptation Layer 5".
- [16] IETF RFC 2225 (1998): "Classical IP and ARP over ATM".
- [17] IETF RFC 768 (1980): "User Datagram Protocol".
- [18] R. Stewart et al, "Stream Control Transmission Protocol", draft-ietf-sigtran-sctp-v9.txt (IESG Last Call Version), IETF, 19 April 2000.
- [19] G. Sidebottom et al, "SS7 MTP3 - User Adaptation Layer", draft-ietf-sigtran-m3ua-02.txt (Work In Progress), IETF, 10 March 2000.
- [20] ITU-T Recommendation I.630 (1999): "ATM Protection Switching".

[21] ITU-T Implementor's guide (12/99) for recommendation Q.2210 (07/96)

NEXT MODIFIED SECTION

8.2 Signalling Bearer

There are two protocol stacks specified for Iur ALCAP Signalling Bearer - one based on MTP-3B [11] and SAAL-NNI [12, 8] and the other based on SCTP [18]. Signalling Transport Converter for MTP-3B is applied [13 & 21]. SCCP Adaptation Layer for SCTP is applied [19]. The following figure shows the signalling bearer protocol stacks for the ALCAP on Iur interface.

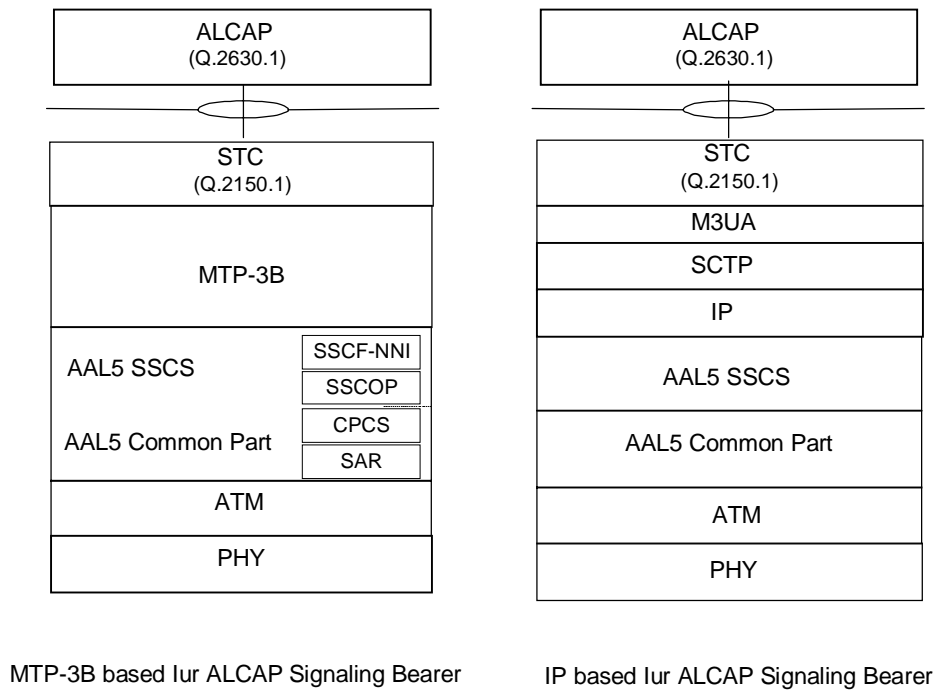


Figure 3: Signalling bearers for ALCAP on Iur interface