

TS RAN 25.942 V 1.0.0 (1999-05)

**3rd Generation Partnership Project (3GPP);
Technical Specification Group (TSG) RAN;
Working Group 4 (WG4);
RF System Scenarios**

Contents

1.	Scope	5
2.	References	5
3.	Definitions, symbols and abbreviations.....	5
3.1	Definitions	5
3.2	Symbols	5
3.3	Abbreviations	5
4.	General.....	5
4.1	Single MS and BTS	7
4.1.1	Constraints	7
4.1.1.1	Frequency Bands and Channel Arrangement.....	7
4.1.1.2	Proximity	7
4.2	Mobile Station to Mobile Station	7
4.2.1	Near-far effect.....	7
4.2.2	Co-located MS and intermodulation	9
4.3	Mobile Station to Base Station	10
4.4	Base Station to Mobile Station	12
4.4.1	Near-far effect.....	12
4.4.2	Co-located Base Stations and intermodulation.....	13
4.5	Base Station to Base Station	14
5.	Methodology for coexistence studies FDD/FDD	16
5.1	ACIR	16
5.1.1	Definitions.....	16
5.1.1.1	Outage	16
5.1.1.2	Satisfied user	16
5.1.1.3	ACIR	16
5.1.2	Introduction.....	16
5.1.2.1	Overview of the simulation principles.....	16
5.1.3	Simulated scenarios in the FDD - FDD coexistence scenario	17
5.1.3.1	Macro to macro multi-operator case.....	17
5.1.3.1.1	Single operator layout.....	17
5.1.3.1.2	Multi-operator layout.....	18
5.1.3.2	Macro to micro multi-operator case	18
5.1.3.2.1	Single operator layout, microcell layer	18
5.1.3.2.2	Multi-operator layout.....	19
5.1.3.3	Services simulated	20
5.1.4	Description of the propagation models	20
5.1.4.1	Received signal.....	21
5.1.4.2	Macro cell propagation model.....	21
5.1.4.3	Micro cell propagation model	22
5.1.5	Simulation description	23
5.1.5.1	Single step (snapshot) description	24
5.1.5.2	Multiple steps (snapshots) execution.....	24
5.1.6	Handover and Power Control modeling.....	24
5.1.6.1	Handover Modeling.....	24
5.1.6.1.1	Uplink Combining	25
5.1.6.1.2	Downlink Combining.....	25
5.1.6.2	Power Control modeling of traffic channels in Uplink.....	25
5.1.6.2.1	Simulation parameters	25
5.1.6.2.2	SIR calculation in Uplink.....	25
5.1.6.2.3	Admission Control Modeling in Uplink.....	26

5.1.6.3	Power Control modeling of traffic channels in Downlink	26
5.1.6.3.1	Simulation parameters	26
5.1.6.3.2	SIR calculation in Downlink	26
5.1.6.3.3	Admission Control Modeling in Downlink	27
5.1.6.3.4	Handling of Downlink maximum TX power	27
5.1.7	System Loading and simulation output	28
5.1.7.1	Uplink.....	28
5.1.7.1.1	Single operator loading.....	28
5.1.7.1.2	multi-operator case (macro to macro).....	28
5.1.7.1.3	multi-operator case (macro to micro).....	28
5.1.7.2	Downlink.....	29
5.1.7.2.1	Single operator loading.....	29
5.1.7.2.2	multi-operator case (macro to macro).....	29
5.1.7.2.3	Multioperator case (Macro to Micro)	29
5.1.7.3	Simulation output	30
5.1.8	REFERENCES	31
5.1.9	ANNEX: SUMMARY of simulation parameters.....	32
5.2	BTS Receiver Blocking.....	35
5.2.1	Assumptions for simulation scenario for 1 Km cell radius.....	35
5.2.2	Assumptions for simulation scenario for 5 Km cell radius.....	36
6.	Methodology for coexistence studies FDD/TDD.....	36
7.	Methodology for coexistence studies TDD/TDD.....	36
8.	Results, implementation issues, and recommendations.....	36
8.1	FDD/FDD.....	37
8.1.1	ACIR.....	37
8.1.1.1	UL Speech (8 kbps) : ACIR Intermediate macro to macro case.....	38
8.1.1.2	UL Speech (8 kbps) : ACIR worst macro to macro case	38
8.1.1.3	DL Speech (8 kbps) : ACIR intermediate macro to macro case	40
8.1.1.4	DL speech (8 Kbps) : ACIR worst macro to macro case.....	40
8.1.2	BTS Receiver Blocking	41
8.1.2.1	Simulation Results for 1 Km cell radius	41
8.1.2.2	Simulation Results for 5 Km cell radius	43
8.2	FDD/TDD.....	46
8.3	TDD/TDD	46
9.	Uplink modulation accuracy.....	46
9.1	Value for Modulation Accuracy	46
9.2	References for minimum requirements	47
10.	History	48
11.	Annex A.....	50

Intellectual Property Rights

IPRs essential or potentially essential to the present deliverable may have been declared to ETSI/3GPP and/or its organizational partners. The information pertaining to these essential IPRs, if any, is publicly available for 3GPPETSI **members and non-members, free of charge**. This can be found in the latest version of the 3GPPETSI Technical Report: [TBD.] ETR 314: "Intellectual Property Rights (IPRs); Essential or potentially Essential, IPRs notified to ETSI in respect of ETSI standards". The most recent update of ETR 314, is available on the ETSI web server or on request from the Secretariat.

Pursuant to the 3GPPETSI Interim IPR Policy, no investigation, including IPR searches, has been carried out by 3GPP ETSI. No guarantee can be given as to the existence of other IPRs not referenced in the [TBD.] ETR 314, which are, or may be, or may become, essential to the present document.

[Editor's note: This section needs to be reviewed. It is assumed here than a 3GPP IPR report will be available in the near future.]

Scope

During the UTRA standards development, the physical layer parameters will be decided using system scenarios, together with implementation issues, reflecting the environments that UTRA will be designed to operate in.

References

The following documents contain provisions which, through reference in this text, constitute provisions of the present document.

- References are either specific (identified by date of publication, edition number, version number, etc.) or non-specific.
- For a specific reference, subsequent revisions do not apply.
- For a non-specific reference, the latest version applies.
- A non-specific reference to an ETS shall also be taken to refer to later versions published as an EN with the same number.

[1] Reference 1.

Definitions, symbols and abbreviations

Definitions

For the purposes of the present document, the following terms and definitions apply:

definition 1: to be completed.

Symbols

For the purposes of the present document, the following symbols apply:

S1 Symbol 1

Abbreviations

For the purposes of the present document, the following abbreviations apply:

A1 Abbreviation 1

General

The present document discusses system scenarios for UTRA operation primarily with respect to the radio transmission and reception. To develop the UTRA standard, all the relevant scenarios need to be considered for the various aspects of operation and the most critical cases identified. The process may then be iterated to arrive at final parameters that meet both service and implementation requirements.

Each scenario has four sections:

- a) lists the system constraints such as the separation of the MS and BTS, coupling loss;

- b) lists those parameters that are affected by the constraints;
- c) describes the methodology to adopt in studying the scenario;
- d) lists the inputs required to examine the implications of the scenarios.

The following scenarios will be discussed for FDD and TDD modes (further scenarios will be added as and when identified):

- 1) Single MS, single BTS;
- 2) MS to MS;
- 3) MS to BS;
- 4) BS to MS;
- 5) BS to BS.

These scenarios will be considered for coordinated and uncoordinated operation. Parameters possibly influenced by the scenarios are listed in 25.101, 25.102, 25.104, 25.105 . These include, but are not limited to:

- Out of band emissions;
- Spurious emissions;
- Intermodulation rejection;
- Intermodulation between MS;
- Reference interference level;
- Blocking.

[Editor's note: This section has been moved up from the Methodology section)

The scenarios defined below are to be studied in order to define RF parameters and to evaluate corresponding carrier spacing values for various configurations. The following methodology should be used to derive these results:

Define spectrum masks for UTRA MS and BS, with associated constraints on PA.

Evaluate the ACP as a function of carrier spacing for each proposed spectrum mask.

Evaluate system capacity loss as a function of ACP for various system scenarios (need to agree on power control algorithm).

Establish the overall trade-off between carrier spacing and capacity loss, including considerations on PA constraints if required. Conclude on the optimal spectrum masks or eventually come back to the definition of spectrum masks to achieve a better performance/cost trade-off.

Single MS and BTS

Constraints

The main constraint is the physical separation of the MS and BTS. The extreme conditions are when the MS is close to or remote from the BTS.

Frequency Bands and Channel Arrangement

Proximity

Table 1: Examples of close proximity scenarios in urban and rural environments

	Rural	Urban Building	Street	pedestrian	indoor
BTS antenna height, Hb (m)	[20]	[30]	[15]	[6]	[2]
MS antenna height, Hm (m)	1,5	[15]	1,5	1,5	1,5
Horizontal separation (m)	[30]	[30]	[10]	[2]	[2]
BTS antenna gain, Gb (dB)	[17]	[17]	[9]	[5]	[0]
MS antenna gain, Gm (dB)	[0]	[0]	[0]	[0]	[0]
Path loss into building (dB)					
Cable/connector Loss (dB)	2	2	2	2	2
Body Loss (dB)	[1]	[1]	[1]	[1]	[1]
Path Loss - Antenna gain (dB)					

Path loss is assumed to be free space i.e. $38,25 + 20 \log d$ (m) dB, where d is the length of the sloping line connecting the transmit and receive antennas.

<Editor's note: This will be used to determine MCL >

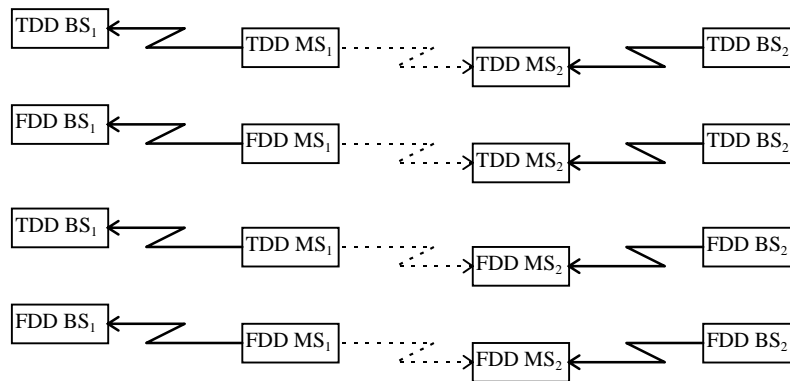
Mobile Station to Mobile Station

Near-far effect

a) System constraints

Dual mode operation of a terminal and hand-over between FDD and TDD are not considered here, since the hand-over protocols are assumed to avoid simultaneous transmission and reception in both modes.

The two mobile stations can potentially come very close to each other (less than 1m). However, the probability for this to occur is very limited and depends on deployment.



Both MS can operate in FDD or TDD mode.

Figure 1: Possible MS to MS scenarios

b) Affected parameters

[FDD and TDD] MS Out-of-band emissions

[FDD and TDD] MS Spurious emissions

[FDD and TDD] MS Blocking

[FDD and TDD] MS Reference interference level

c) Methodology

The first approach is to calculate the minimum coupling loss between the two mobiles, taking into account a minimum separation distance. It requires to assume that the interfering mobile operates at maximum power and that the victim mobile operates [3] dB above sensitivity.

Another approach is to take into account the deployment of mobile stations in a dense environment, and to base the interference criterion on:

- the actual power received by the victim mobile station;
- the actual power transmitted by the interfering mobile station, depending on power control.

This approach gives as a result a probability of interference.

The second approach should be preferred, since the power control has a major impact in this scenario.

d) Inputs required

For the first approach, a minimum distance separation and the corresponding path loss is necessary. For the second approach, mobile and base station densities, power control algorithm, and maximum acceptable probability of interference are needed.

Minimum separation distance: 5 m[for outdoor, 1 m for indoor]

Mobile station density: [TBD in relation with service, cell radius and system capacity]

Base station density: [cell radius equal to 4 km for rural, 0,5 km for urban or 0,1 km for indoor]

Power control algorithm: [TBD]

Maximum acceptable probability of interference: 2 %

e) scenarios for coexistence studies

The most critical case occurs at the edge of FDD and TDD bands. Other scenarios need to be considered for TDD operation in case different networks are not synchronised or are operating with different frame switching points.

FDD MS → TDD MS at 1 920 MHz (macro/micro, macro/pico)

TDD MS → FDD MS at 1 920 MHz (micro/micro, pico/pico)

TDD MS → TDD MS (micro/micro, pico/pico) for non synchronised networks

These scenarios should be studied for the following services:

Environment	Services
Rural Macro	Speech, LCD 144
Urban Micro/Macro	Speech, LCD 384
Indoor Pico	Speech, LCD 384, LCD 2 048

Co-located MS and intermodulation

a) System constraints

Close mobile stations can produce intermodulation products, which can fall into mobile or base stations receiver bands. This can occur with MS operating in FDD and TDD modes, and the victim can be BS or MS operating in both modes.

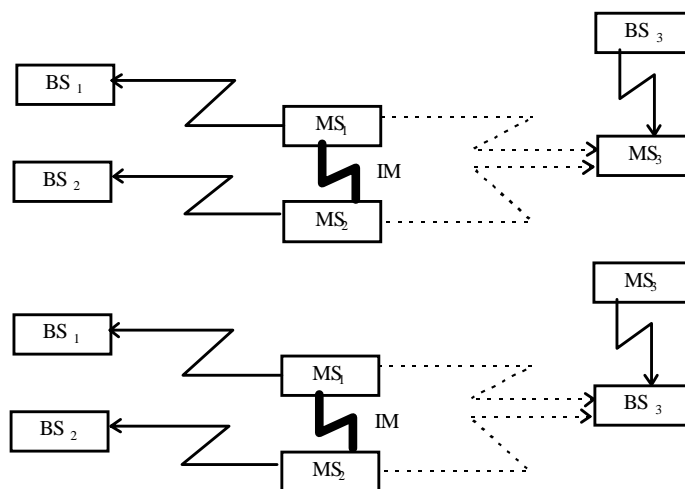


Figure 2: Possible collocated MS scenarios

b) Affected parameters

[FDD and TDD] intermodulation between MS

[FDD and TDD] MS and BS blocking

[FDD and TDD] MS and BS reference interference level

c) Methodology

The first approach is to assume that the two mobile stations are collocated, and to derive the minimum coupling loss. It requires to assume that both mobiles are transmitting at maximum power.

Another approach can take into account the probability that the two mobiles come close to each other, in a dense environment, and to calculate the probability that the intermodulation products interfere with the receiver.

The second approach should be preferred.

d) Inputs required

Minimum separation distance: 5 m[for outdoor, 1 m for indoor]

Mobile station density: [TBD]

Base station density: [TBD in relation with MS density]

Power control algorithm: [TBD]

Maximum acceptable probability of interference: 2 %

Mobile Station to Base Station

a) System constraints

A mobile station, when far away from its base station, transmits at high power. If it comes close to a receiving base station, interference can occur.

The separation distance between the interfering mobile station and the victim base station can be small, but not as small as between two mobile stations.

Both the mobile and the base stations can operate in FDD and TDD modes, thus four scenarios are to be considered, as shown in Figure 3.

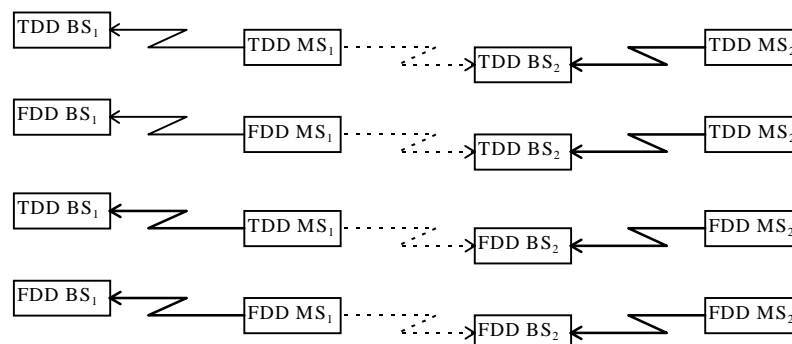


Figure 3: Possible MS to BS scenarios

b) Affected parameters

[FDD and TDD] MS Out-of-band emissions

[FDD and TDD] MS Spurious emissions

[FDD and TDD] BS Blocking

[FDD and TDD] BS Reference interference level

c) Methodology

The first approach is to assume that the mobile station transmits at maximum power, and to make calculations for a minimum distance separation. This approach is particularly well suited for the blocking phenomenon.

Another approach is to estimate the loss of uplink capacity at the level of the victim base station, due to the interfering power level coming from a distribution of interfering mobile stations. Those mobile stations are power controlled. A hexagonal cell lay-out is considered for the BS deployment with specified cell radius. Large cell radius are chosen since they correspond to worst case scenarios for coexistence studies.

The second approach should be preferred.

With both approaches two specific cases are to be considered:

Both base stations (BS_1 and BS_2) are co-located. This case occurs in particular when the same operator operates both stations (or one station with two carriers) on the same HCS layer.

The base stations are not co-located and uncoordinated. This case occurs between two operators, or between two layers.

d) Inputs required

Minimum separation distance: [30 m for rural, 15 m for urban, 3 m for indoor]

Base station density: [cell radius equal to 4 km for rural/macro, 1,5 km for urban/macro, 0,5 km for urban/micro or 0,1 km for indoor/pico]

Interfering mobile station density: [TBD in relation with service, cell radius and system capacity]

Power control algorithm: [TBD]

Maximum acceptable loss of capacity: [10 %]

e) scenarios for coexistence studies

Inter-operator guard band (uncoordinated deployment)

FDD macro/ FDD macro

FDD macro/ FDD micro

FDD macro/ FDD pico (indoor)

FDD micro/ FDD pico (indoor)

TDD macro/ TDD macro

TDD macro/ TDD micro

TDD macro/ TDD pico (indoor)

TDD micro/ TDD pico (indoor)

FDD macro/ TDD macro at 1 920 MHz

FDD macro/ TDD micro at 1 920 MHz

FDD macro/ TDD pico at 1 920 MHz

FDD micro/ TDD micro at 1 920 MHz

FDD micro/ TDD pico at 1 920 MHz

Intra-operator guard bands

FDD macro/ FDD macro (colocated)

FDD macro/ FDD micro

FDD macro/ FDD pico (indoor)

FDD micro/ FDD pico (indoor)

TDD macro/ TDD macro

TDD macro/ TDD micro

TDD macro/ TDD pico (indoor)

TDD micro/ TDD pico (indoor)

FDD macro/ TDD macro at 1 920 MHz

FDD macro/ TDD micro at 1 920 MHz

FDD macro/ TDD pico at 1 920 MHz

FDD micro/ TDD micro at 1 920 MHz

FDD micro/ TDD pico at 1 920 MHz

These scenarios should be studied for the following services:

Environment	Services
Rural Macro	Speech, LCD 144
Urban Micro/Macro	Speech, LCD 384
Indoor Pico	Speech, LCD 384, LCD 2 048

Base Station to Mobile Station

Near-far effect

a) System constraints

A mobile station, when far away from its base station, receives at minimum power. If it comes close to a transmitting base station, interference can occur.

The separation distance between the interfering base station and the victim mobile station can be small, but not as small as between two mobile stations.

Both the mobile and the base stations can operate in FDD and TDD modes, thus four scenarios are to be considered, as shown in Figure 4.

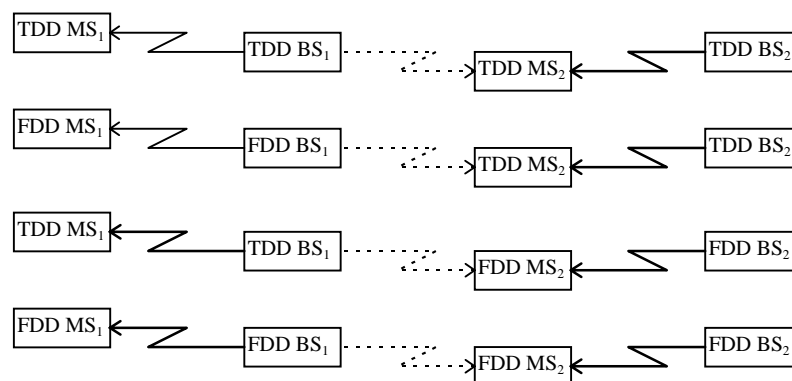


Figure 4: Possible BS to MS scenarios

b) Affected parameters

[FDD and TDD] BS Out-of-band emissions

[FDD and TDD] BS Spurious emissions

[FDD and TDD] MS Blocking

[FDD and TDD] MS Reference interference level

c) Methodology

The first approach is to calculate the minimum coupling loss between the base station and the mobile, taking into account a minimum separation distance. It requires to assume that the mobile is operating [3] dB above sensitivity.

The second approach is to take into account the deployment of mobile stations in a dense environment, and to base the interference criterion on the actual power received by the victim mobile station. This approach gives a probability of interference. An hexagonal cell lay-out is considered for the BS deployment with specified cell radius. Large cell radius are chosen since they correspond to worst case scenarios for coexistence studies.

The second approach should be preferred.

d) Inputs required

Minimum separation distance: [30 m for rural, 15 m for urban, 3 m for indoor]

Base station density: [cell radius equal to 4 km for rural/macro, 1,5 km for urban/macro, 0,5 km for urban/micro or 0,1 km for indoor/pico]

Victim mobile station density: [TBD in relation with service, cell radius and system capacity]

Downlink power control algorithm: [TBD]

Maximum acceptable probability of interference: 2 %

e) scenarios for coexistence studies

Inter-operator guard band (uncoordinated deployment)

FDD macro/ FDD macro

TDD macro/ TDD macro

TDD macro/ FDD macro at 1 920 MHz

Intra-operator guard bands

FDD macro/ FDD micro

TDD macro/ TDD micro

TDD macro/ FDD macro at 1 920 MHz

These scenarios should be studied for the following services:

Environment	Services
Rural Macro	Speech, LCD 144
Urban Micro/Macro	Speech, LCD 384
Indoor Pico	Speech, LCD 384, LCD 2 048

Co-located Base Stations and intermodulation

a) System constraints

Co-located base stations can produce intermodulation products, which can fall into mobile or base stations receiver bands. This can occur with BS operating in FDD and TDD modes, and the victim can be BS or MS operating in both modes.

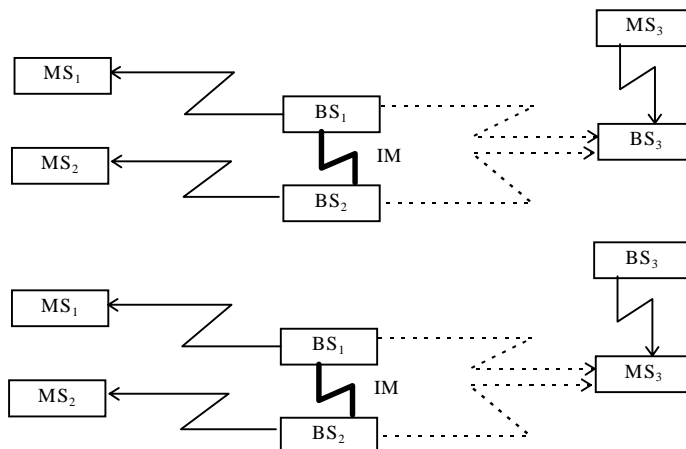


Figure 5: Possible collocated BS scenarios

b) Affected parameters

[FDD and TDD] intermodulation between BS

[FDD and TDD] MS and BS blocking

[FDD and TDD] MS and BS reference interference level

c) Methodology

The first approach is to set a minimum separation distance between the two interfering base stations and the victim.

Another approach can take into account the probability that the intermodulation products interfere with the receiver, which does not necessarily receive at a fixed minimum level.

The second approach should be preferred.

d) Inputs required

Minimum separation distance between the two BS and the victim: [30 m for rural, 15 m for urban, 3m for indoor]

Mobile station density: [TBD]

Base station density: [TBD in relation with MS density]

Power control algorithm: [TBD]

Maximum acceptable probability of interference: 2 %

Base Station to Base Station

a) System constraints

Interference from one base station to another can occur when both are co-sited, or when they are in close proximity with directional antenna. De-coupling between the BS can be achieved by correct site engineering on the same site, or by a large enough separation between two BS.

The base stations can operate either in FDD or TDD modes, as shown in Figure 6.

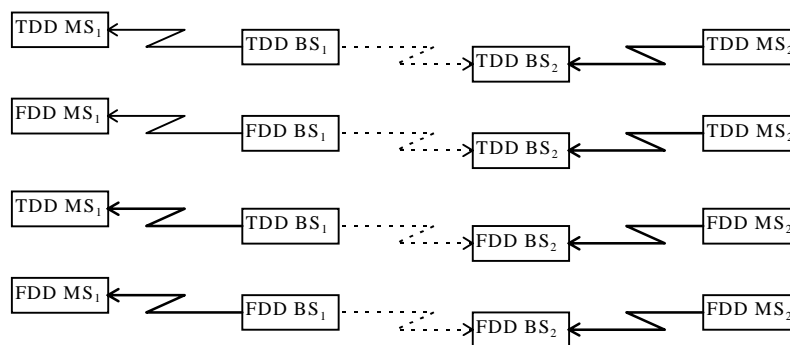


Figure 6: Possible BS to BS scenarios

b) Affected parameters

[FDD and TDD] BS Out-of-band emissions

[FDD and TDD] BS Spurious emissions

[FDD and TDD] BS Blocking

[FDD and TDD] BS Reference interference level

c) Methodology

This scenario appears to be fixed, and the minimum coupling loss could be here more appropriate than in other scenarios.

However, many factors are of statistical nature (number and position of mobile stations, power control behaviour, path losses, ...) and a probability of interference should here again be preferred.

d) Inputs required

Minimum coupling between two base stations: [50] dB

Mobile station density: [TBD in relation with service, cell radius and system capacity]

Base station density: [cell radius equal to 4 km for rural/macro, 1,5 km for urban/macro, 0,5 km for urban/micro or 0,1 km for indoor/pico]

Uplink and downlink power control algorithm: [TBD]

Maximum acceptable probability of interference: 2 %

e) scenarios for coexistence studies

TDD BS → FDD BS at 1 920 MHz (macro/micro, macro/pico)

TDD BS → TDD BS (micro/micro, pico/pico) for non synchronised networks

These scenarios should be studied for the following services:

Environment	Services
Rural Macro	Speech, LCD 144
Urban Micro/Macro	Speech, LCD 384
Indoor Pico	Speech, LCD 384, LCD 2 048

Methodology for coexistence studies FDD/FDD

ACIR

Definitions

Outage

For the purpose of this document, an outage occurs when, due to a limitation on the maximum TX power, the measured Eb/N0 of a connection is lower than the Eb/N0 target.

Satisfied user

< Editor's note: this item refers to the e-mail sent by Howard, Harry and Amer. As far as the new capacity comparison is agreed, the definition of outage seems now to be useless unless it is thought to measure in DL the number of satisfied users but to collect in DL statistical distribution related to outage.....>

A user is satisfied when the measured Eb/N0 of a connection at the end of a snapshot is higher than a value equal to Eb/N0 target - 0.5 dB

ACIR

The Adjacent Channel Interference Power Ratio (ACIR) is defined as the ratio of the total power transmitted from a source (base station or UE) to the total interference power affecting a victim receiver, resulting from both transmitter and receiver imperfections.

Introduction

In the past, (see reference /1, 2, 3/) different simulators were presented with the purpose to provide capacity results to evaluate the ACIR requirements for UE and BS; in each of them similar approach to simulations are taken.

In this document a common simulation approach agreed in WG4 is then presented, in order to evaluate ACIR requirements for FDD to FDD coexistence analysis.

Overview of the simulation principles

Simulations are based on snapshots where users are randomly placed in a predefined deployment scenario; in each snapshot a power control loop is simulated until Eb/N0 target is reached; a simulation is made of several snapshots.

The measured Eb/N0 is obtained by the measured C/I multiplied by the Processing gain

UE's not able to reach the Eb/N0 target *at the end* of a PC loop are in outage; users able to reach at least (Eb/N0 - 0.5 dB) at the end of a PC loop are considered satisfied; statistical data related to outage (satisfied users) are collected at the end of each snapshot.

Soft handover is modeled allowing a maximum of 2 BTS in the active set; the window size of the candidate set is equal to 3 dB, and the cells in the active set are chosen randomly from the candidate set; selection combining is used in the Uplink and Maximum Ratio Combining in DL.

Uplink and Downlink are simulated independently.

Simulated scenarios in the FDD - FDD coexistence scenario

Different environments are considered: Macrocellular and microcellular environment.

Two coexistence cases are defined: macro to macro multi-operator case and macro to micro case.

Macro to macro multi-operator case

Single operator layout

Base stations are placed on a hexagonal grid with distance of 1000 meters; the cell radius is then equal to 577 meters.

Base stations with Omnidirectional antennas are placed in the middle of the cell.

The number of cells for each operator in the macrocellular environment should be equal or higher than 19; 19 is considered a suitable number of cells when wrap around technique is used.

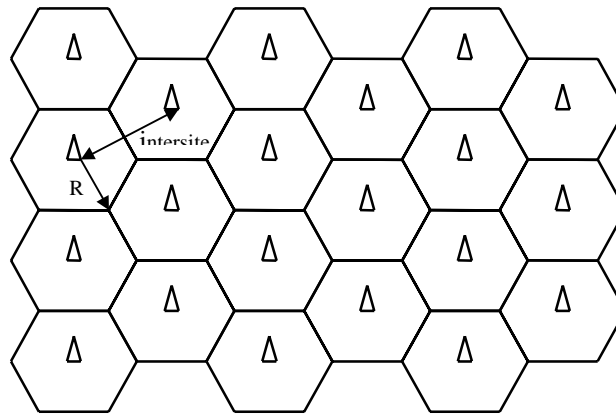


Figure 7: Macrocellular deployment

Multi-operator layout

In the multi-operator case, two base stations shifting of two operators are considered:

- (worst case scenario): 577 m base station shift
- (intermediate case): $577/2$ m base station shift selected.

The best case scenario (0 m shifting = co-located sites) is NOT considered

Macro to micro multi-operator case

Single operator layout, microcell layer

Microcell deployment is a Manhattan deployment scenario.

Micro cell base stations are placed to Manhattan grid, so that base stations are placed to street crossings as proposed in /6/. Base stations are placed every second junction, see Figure 8. This is not a very intelligent network planning, but then sufficient amount of inter cell interference is generated with reasonable low number of micro cell base stations.

The parameters of the micro cells are the following:

- block size = 75 m
- road width = 15 m
- intersite distance between line of sight = 180 m

The number of micro cells in the microcellular scenario is 72

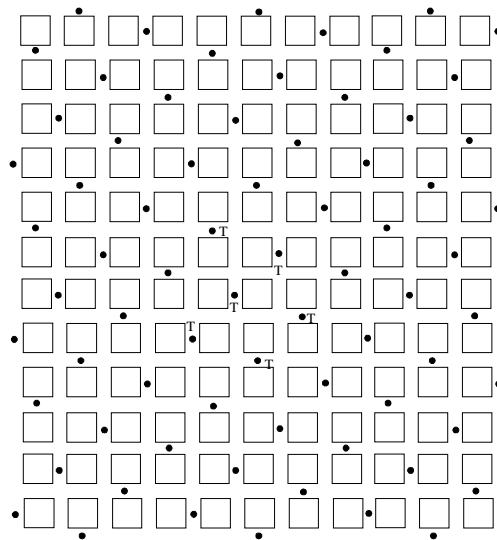


Figure 8 Microcell deployment

Multi-operator layout

The microcell layout is as it was proposed earlier (72 BSs in every second street junction, block size 75 meters, road width 15 meters); macro cell radius is 577 meters (distance between BSs is 1000 meter).

Cellular layout for HCS simulations is as shown in Figure 9. This layout is selected in order to have large enough macro cells and low amount number of microcells so that that computing times remain reasonable. Further, macro cell base station positions are selected so that as many conditions as possible can be studied (i.e. border conditions etc.), and handovers can always be done.

When interference is measured at macro cell base stations in uplink, same channel interference is measured **only** from those users connected to the observed base station. The measured same channel interference is then multiplied by $1/F$. F is the ratio of intra-cell interference to total interference i.e.

$$F = I_{\text{intra}}(i) / (I_{\text{intra}}(i) + I_{\text{inter}}(i))$$

F is dependant on the assumed propagation model, however, several theoretical studies performed in the past have indicated that a typical value is around 0.6. An appropriate value for F can also be derived from specific macrocell-only simulations. Interference from micro cells to macro cell is measured by using wrap-around technique. Interference that a macro cell base station receives is then,

$$I = \text{ACIR} * I_{\text{micro}} + (1/F) * I_{\text{macro}},$$

where ACIR is the adjacent channel interference rejection ratio, and I_{macro} is same channel interference measured from users connected to the base station.

When interference is measured in downlink, same channel and adjacent channel interference is measured from all base stations. When interference from micro cells is measured wrap-around technique is used.

When interference is measured at micro cells in uplink and downlink, same channel and adjacent channel interference is measured from all base stations. When same channel interference is measured wrap-around is used.

When simulation results are measured all micro cell users and those macro cell users that are area covered by micro cells are considered. It is also needed to plot figures depicting position of bad quality calls, in order to see how they are distributed in the network. In addition, noise rise should be measured at every base station and from that data a probability density function should be generated.

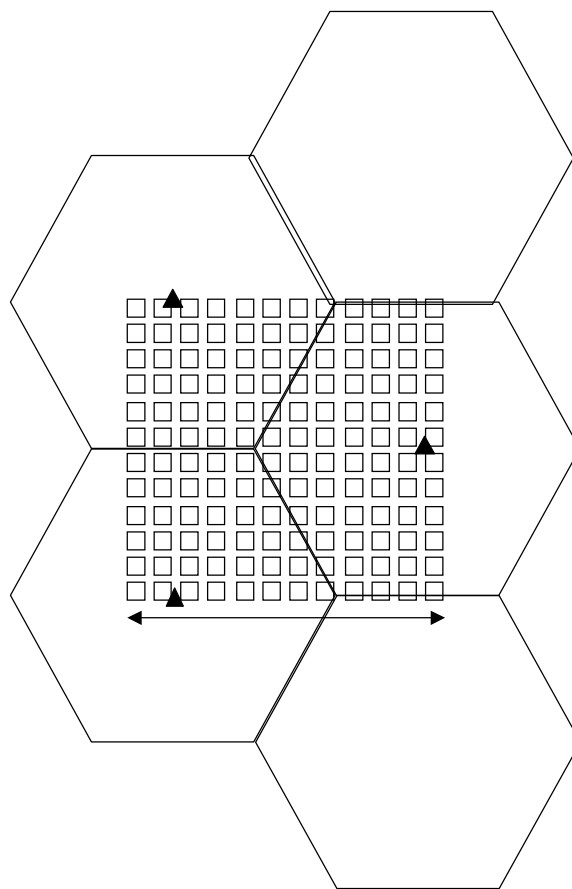


Figure 9 Macro-to micro deployment

Services simulated

The following services are considered:

- speech 8 kbps
- data 144 kbps

Speech and data services are simulated in separate simulations, i.e. no traffic mix is simulated

Description of the propagation models

Two propagation environments are considered in the ACIR analysis: macrocellular and microcellular.

For each environment a propagation model is used to evaluate the propagation path loss due to the distance; propagation models are adopted from /5/ and presented in the following sections for macro and micro cell environments.

Received signal

An important parameter to be defined is minimum coupling loss (MCL), i.e., what is the minimum loss in signal due to fact that the base stations are always placed much higher than the UE(s).

Minimum Coupling Loss (MCL) is defined as the minimum distance loss including antenna gain measured between antenna connectors; the following values are assumed for MCL:

- 70 dB for the Macrocellular environment
- 53 dB for the Microcell environment

With the above definition, the received power in Down or Uplink can be expressed for the macro environment as:

$$RX_PWR = TX_PWR - \text{Max}(\text{pathloss_macro} - G_Tx - G_RX, \text{MCL})$$

and for the micro as:

$$RX_PWR = TX_PWR - \text{Max}(\text{pathloss_micro} - G_Tx - G_RX, \text{MCL})$$

where:

- RX_PWR is the received signal power
- TX_PWR is the transmitted signal power
- G_Tx is the Tx antenna gain
- G_RX is the Rx antenna gain

Within simulations it is assumed 11 dB antenna gain (including cable losses) in base station and 0 dB in UE.

Macro cell propagation model

Macro cell propagation model is applicable for the test scenarios in urban and suburban areas outside the high rise core where the buildings are of nearly uniform height /5/.

$$L = 40(1 - 4 \times 10^{-3} D_{hb}) \text{Log}_{10}(R) - 18 \text{Log}_{10}(D_{hb}) + 21 \text{Log}_{10}(f) + 80 \text{ dB.}$$

Where:

- R is the base station - UE separation in kilometers
- f is the carrier frequency of 2000 MHz

- D_{hb} is the base station antenna height, in meters, measured from the average rooftop level.

The base station antenna height is fixed at 15 meters above the average rooftop (D_{hb} = 15 m). Considering a carrier frequency of 2000 MHz and a base station antenna height of 15 meters, the formula becomes:

$$L = 128.1 + 37.6 \text{Log}_{10}(R)$$

After L is calculated, log-normally distributed shadowing (LogF) with standard deviation of 10 dB should be added, so that the resulting pathloss is the following:

$$\text{Pathloss}_{\text{macro}} = L + \text{Log}F$$

Note

1. L shall in no circumstances be less than free space loss. This model is valid for NLOS case only and describes worse case propagation.
2. The path loss model is valid for a range of D_{hb} from 0 to 50 meters.
3. This model is designed mainly for distance from few hundred meters to kilometers, and there are not very accurate for short distances.

Micro cell propagation model

Also the micro cell propagation model is adopted from [5]. This model is to be used for spectrum efficiency evaluations in urban environments modeled through a Manhattan-like structure, in order to properly evaluate the performance in microcell situations that will be common in European cities at the time of UMTS deployment.

The proposed model is a recursive model that calculates the path loss as a sum of LOS and NLOS segments. The shortest path along streets between the BS and the UE has to be found within the Manhattan environment.

The path loss in dB is given by the well-known formula

$$L = 20 \cdot \log_{10} \frac{4\pi d_n}{\lambda}$$

Where

d_n is the "illusory" distance,

λ is the wavelength,

n is the number of straight street segments between BS and UE (along the shortest path).

The illusory distance is the sum of these street segments and can be obtained by recursively using the expressions $k_n = k_{n-1} + d_{n-1} \cdot c$ and $d_n = k_n \cdot s_{n-1} + d_{n-1}$ where c is a function of the angle of the street crossing. For a 90 degree street crossing the value c should be set to 0.5. Further, s_{n-1} is the length in meters of the last segment. A segment is a straight path. The initial values are set according to: k_0 is set to 1 and d_0 is set to 0. The illusory distance is obtained as the final d_n when the last segment has been added.

The model is extended to cover the micro cell dual slope behavior, by modifying the expression to:

$$L = 20 \cdot \log_{10} \left(\frac{4\pi d_n}{\lambda} \cdot D \left(\sum_{j=1}^n s_{j-1} \right) \right) \text{ Where } D(x) = \begin{cases} x / x_{br}, & x > x_{br} \\ 1, & x \leq x_{br} \end{cases}$$

Before the break point x_{br} the slope is 2, after the break point it increases to 4. The break point x_{br} is set to 300 m. x is the distance from the transmitter to the receiver.

To take into account effects of propagation going above rooftops it is also needed to calculate the pathloss according to the shortest geographical distance. This is done by using the commonly known COST Walfish-Ikegami Model and with antennas below rooftops:

$$L = 24 + 45 \log(d+20)$$

Where

d is the shortest physical geographical distance from the transmitter to the receiver in metros.

The final pathloss value is the minimum between the path loss value from the propagation through the streets and the path loss based on the shortest geographical distance, plus the log-normally distributed shadowing (LogF) with standard deviation of 10 dB should be added

$$\text{Pathloss_micro} = \min(\text{Manhattan pathloss, macro path loss}) + \text{LogF}$$

Note:

1. This pathloss model is valid for microcell coverage only with antenna located below rooftop. In case the urban structure would be covered by macrocells, the former pathloss model should be used.

Simulation description

Uplink and Downlink are simulated independently, i.e. one link only is considered in a single simulation.

A simulation consists of several simulation steps (snapshot) with the purpose to cover a large amount of all the possible UE placement in the network; in each simulation step, a single placement (amongst all the possible configuration) of the UEs in the network is considered.

Single step (snapshot) description

A simulation step (snapshot) constitutes of mobile placement, pathloss calculations, handover, power control and statistics collecting.

In particular:

- At the beginning of each simulation step, the UE(s) are distributed randomly across the network, according to a uniform distribution.
- For each UE, the operator (**in case of macro to macro simulation**) is selected randomly, so that the number of users per base stations is the same for both operators. ~~(or hierarchy layers).~~
- After the placement, the pathloss between each UE and base station is calculated, adding the lognormal fading, and stored to a so-called G-matrix (Gain matrix).

Distance attenuation and lognormal fading are kept constant during the execution of a snapshot.

- Based on the Gain Matrix, the active base stations (transmitting base stations) are selected for each UE based on the **handover algorithm**.
- Then a stabilization period (**power control loop**) is started; during stabilization power control is executed so long that the used powers reach the level required for the required quality.

During the power control loop, the Gain Matrix remain constant.

- A sufficient number of power control commands in each power control loop is supposed to be higher than 150.
- At the end of a power control loop, statistical data are collected; UEs whose quality is below the target are considered to be in outage; UEs whose quality is higher the target - 0.5 dB are considered to be satisfied.

Multiple steps (snapshots) execution

When a single step (snapshot) is finished, UE(s) are re-located to the system and the above processes are executed again. During a simulation, as many simulation steps (snapshots) are executed as required in order to achieve sufficient amount of local-mean-SIR values.

For 8 kbps speech service, a sufficient amount of snapshots is supposed to be 10 000 values or more; for data service, a higher number of snapshot is required, and a sufficient amount of snapshots is supposed to be 10 times the value used of 8 kbps speech

As many local-mean-SIR values are obtained during one simulation step (snapshot) as UE(s) in the simulation. Outputs from a simulation are SIR-distribution, outage probability, capacity figures etc.

Handover and Power Control modeling

Handover Modeling

The handover model is a non-ideal soft handover. Active set for the UE is selected from a pool of base stations that are candidates for handover. The candidate set is composed from base stations whose pathloss is within handover margin, i.e., base stations whose received pilot is stronger than the received pilot of the strongest base station subtracted by the handover margin.

A soft hand-over margin of 3-dB is assumed.

The active set of base stations is selected randomly from the candidate base stations; a single UE may be connected to maximum of 2 base stations simultaneously.

Uplink Combining

In the uplink, selection combining among active base stations is performed so that the frame with highest average SIR is used for statistics collecting purposes, while the other frames are discarded.

Downlink Combining

In the downlink, macro diversity is modeled so that signal received from active base stations is summed together; maximal ratio combining is realized by summing measured SIR values together:

$$SIR = \frac{C_1}{I_1 + N} + \frac{C_2}{I_2 + N}$$

Power Control modeling of traffic channels in Uplink

Power control is a simple SIR based fast closed loop power control.

Perfect power control is assumed, i.e. during the power control loop each UE perfectly achieve the Eb/N0 target, assuming that the maximum TX power is not exceeded; with the assumption of perfect power control, PC error is assumed equal to 0 %, and PC delay is assumed to be 0 sec.

UEs not able to achieve the Eb/N0 target at the end of a power control loop are considered in outage.

Initial TX power for the PC loop of UL Traffic Channel is based on path loss, thermal noise and 6 dB noise rise; however, the initial TX power should not affect the convergence process (PC loop) to the target Eb/N0

Simulation parameters

- *UE Max TX power:*
The maximum UE TX power is 21 dBm (both for speech and data), and UE power control range is 65 dB; the minimum TX power is therefore -44 dBm.
- *Uplink Eb/N0 target (form RTT submission)*
 - Macrocellular environment: speech 6.1 dB, data 3.1 dB
 - Microcellular environment: speech 3.3 dB, data 2.4 dB

SIR calculation in Uplink

Local-mean SIR is calculated by dividing the received signal by the interference, and multiplying by the processing gain. Signals from the other users are summed together and seen as interference. Signal-to-interference-ratio will be:

$$SIR_{UL} = \frac{G_p \cdot S}{(1 - \beta) \cdot I_{OWN} + I_{OTHER} + N_0}$$

Where S is the received signal, G_p is processing gain, I_{own} is interference generated by those users that are connected to the same base station that the observed user, I_{other} is interference from other cells, N_0 is thermal noise and β is an interference reduction factor due to the use of, for example, Multi User Detection (MUD) in UL.

MUD is NOT included in these simulations, therefore $\beta = 0$.

Thermal noise is calculated for 4.096 MHz band by assuming 5-dB system noise figure. Thermal noise power is then equal to -103 dBm.

In the multi-operator case, I_{other} also includes the interference coming from the adjacent operator; the interference coming from the operator operating on the adjacent is decreased by ACIR dB.

Admission Control Modeling in Uplink

Admission control is not included in this kind of simulation.

Power Control modeling of traffic channels in Downlink

Power control is a simple SIR based fast closed loop power control.

Perfect power control is assumed, i.e. during the power control loop each DL traffic channel perfectly achieve the E_b/N_0 target, assuming that the maximum TX power is not exceeded; with the assumption of perfect power control, PC error is assumed equal to 0 %, and PC delay is assumed to be 0 sec.

UEs whose DL traffic channel is not able to achieve the E_b/N_0 target at the end of a power control loop are considered in outage.

Initial TX power for the PC loop of DL Traffic Channel is chosen randomly in the TX power range; however, the initial TX power should not affect the convergence process (PC loop) to the target E_b/N_0

Simulation parameters

- Traffic channel TX power:

Working assumption for DL traffic channel power control range is 25 dBm, and the maximum power for each DL traffic channel is (both for speech and data) the following:

- Macrocellular environment: 30 dBm
- Microcellular environment: 20 dBm
- Downlink E_b/N_0 target (from RTT submission)
 - Macrocellular environment: speech 7.9 dB, data 2.5 dB with DL TX or RX diversity, 4.5 dB without diversity
 - Microcellular environment: speech 6.1 dB, data 1.9 dB with DL TX or RX diversity

SIR calculation in Downlink

Signal-to-interference-ratio in Downlink can be expressed as:

$$SIR_{DL} = \frac{G_p \cdot S}{\alpha \cdot I_{OWN} + I_{OTHER} + N_0}$$

Where S is the received signal, G_p is processing gain, I_{own} is interference generated by those users that are connected to the same base station that the observed user, I_{other} is interference from other cells, α is the orthogonality factor and N₀ is thermal noise. Thermal noise is calculated for 4.096 MHz band by assuming 9 dB system noise figure. Thermal noise power is then equal to -99 dBm.

I_{own} includes also interference caused by perch channel and common channels.

Transmission powers for them are in total:

- macrocells: 30 dBm
- microcells: 20 dBm

The orthogonality factor takes into account the fact that the downlink is not perfectly orthogonal due to multipath propagation; an orthogonality factor of 0 corresponds to perfectly orthogonal intra-cell users while with the value of 1 the intra-cell interference has the same effect as inter-cell interference

Assumed values for the orthogonality factor alpha are /1:

- macrocells: 0.4
- microcells: 0.06

In the multi-operator case I_{other} also includes the interference coming from the adjacent operator; the interference coming from the operator operating on the adjacent is decreases by ACIR dB.

Admission Control Modeling in Downlink

Admission control is not included in this kind of simulation.

Handling of Downlink maximum TX power

During WG4#2 the issue of DL BS TX power limitation was addressed, i.e. the case when the sum of all DL traffic channels in a cell exceeds the maximum base station TX power.

The maximum base station TX power are the following:

- macrocells: 43 dBm
- microcells: 33 dBm

If in the PC loop of each snapshot the overall TX power of each BS is higher than the Maximum Power allowed, at a minimum for each simulation statistical data related to this event have to be collected to validate the results; based on these results, in the future a different approach could be used for DL.

The mechanism used to maintain the output level of the base station equal or below the maximum is quite similar to an analog mechanism to protect the power amplifier.

At each iteration, the mobiles request more or less power, depending on their C/I values. A given base station will be requested to transmit the common channels and the sum of the TCHs for all the mobiles it is in communication with.

If this total output power exceeds the maximum allowed for the PA, an attenuation is applied in order to set the output power of the base station equal to its maximum level. In a similar way that an RF variable attenuator would operate, this attenuation is applied on the output signal with the exception of common channels, i.e. all the TCHs are reduced by this amount of attenuation.

The power of the TCH for a given mobile will be :

$$\text{TCH}(n+1) = \text{TCH}(n) \pm \text{Step} - \text{RF_Attenuation}.$$

System Loading and simulation output

Uplink

Single operator loading

- The number of users in the uplink in the single operator case is defined as N_{UL_single}
- It is evaluated according to a 6 dB noise rise over the thermal noise in the UL (6 dB noise rise is equivalent to 75 % of the Pole capacity of a CDMA system):

A simulation is run with a predefined number of users, and at the end the average noise rise (over the thermal noise) is measured; if lower than 6 dB, the number of users is increased until the 6 dB noise rise is reached.

The number of users corresponding to a 6 dB noise rise is here defined as N_{UL_single} .

multi-operator case (macro to macro)

- The number of users in the uplink in the multi-operator case is defined as N_{UL_multi}

It is evaluated, as in the single case, according to a 6 dB noise rise over the thermal noise in the UL; a simulation is run with a predefined number of users, and at the end the average noise rise (over the thermal noise) is measured; if lower than 6 dB, the number of users is increased until the 6 dB noise rise is reached.

The number of users corresponding to a 6 dB noise rise is here defined as N_{UL_multi} .

- For a given value of ACIR, the obtained N_{UL_multi} is compared to N_{UL_single} to evaluate the capacity loss due to the presence of a second operator

multi-operator case (macro to micro)

It is very likely that noise rise does not change with the same amount for micro and macro cell layers if number of users is changed in the system. It is proposed that loading is selected with the following procedure:

Two different numbers of input users are included in the simulator:

- $N_{users_UL_macro}$
- $N_{users_UL_micro}$:

- 0) an ACIR value is selected
- 1) start a simulation (made of several snapshots) with an arbitrary number of $N_{users_UL_micro}$ and $N_{users_UL_macro}$
- 2) measure the system loading
- 3) run another simulation (made of several snapshots) by increasing the number of users (i.e. $N_{users_UL_macro}$ or micro) in the cell layer having lower noise rise than the layer-specific threshold, and decreasing number of users ((i.e. $N_{users_UL_micro}$ or macro) in the cell layer in which noise rise is higher than the layer-specific threshold etc. etc.
- 4) redo phases 1 and 2 until noise rise is equal to the specific threshold for both layers.
- 5) when each layer reaches in average the noise rise threshold, the input values of $N_{UL_users_UL_macro}$ and micro are taken as an output and compared to the value obtained in the single operator case for the ACIR value chosen at step 0.

Two Options (Option A and Option B) are investigated in relation with the noise rise threshold:

- Option A

The noise rise threshold for the macro layer is equal to 6 dB whilst the threshold for the microlayer is set to [20] dB. The noise rise is combination of interference coming from the micro and the macro cell layers. Micro and macro cell layers are interacting, i.e. micro cell interference affects to macro cell layer and viceversa.

- Option B

The noise rise threshold is set to 6dB for both the macro and the micro layer, but the microcells are desensitized of [14] dB

Downlink

Single operator loading

- The number of users in the downlink for the single operator case is defined as N_{DL_single}
- Downlink simulations are done so that single operator network is loaded so that 95 % of the users achieve an E_b/N_o of at least (target $E_b/N_o - 0.5$ dB) (i.e. 95 % of users are satisfied) and supported number of users N_{DL_single} is then measured."

multi-operator case (macro to macro)

- In the multioperator case the networks is loaded so that 95 % of users are satisfied and the obtained number of user is defined as N_{DL_multi}
- For a given value of ACIR, the measured N_{DL_multi} is obtained and compared to the N_{DL_single} obtained in the single operator case.

Multioperator case (Macro to Micro)

Similar reasoning to the UL case is applied.

Simulation output

The following output should be produced:

- capacity figures (N_UL and N_DL)
- DL and UL capacity vs ACIR in the multioperator case (see Figure 10 for the macro to macro case)
- outage (non-satisfied users) distributions

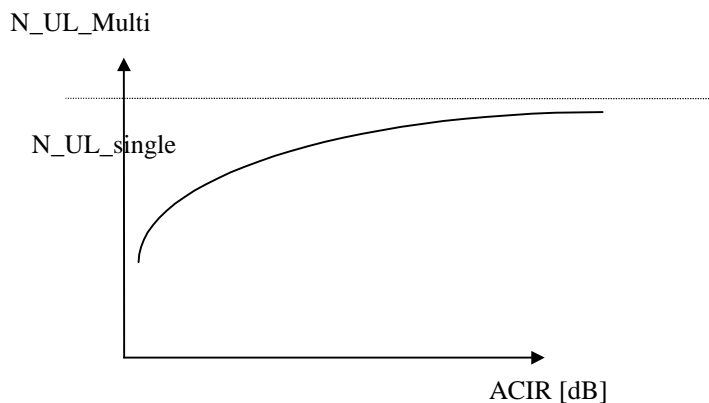


Figure 10 : Example of outage vs. ACIR (intermediate or worst case scenario layout)

REFERENCES

1. /1/ Tdoc SMG2 UMTS L1 5/98, "UTRA system simulations for the multi-operator case", Oslo, Norway, 1-2 April 1998
2. /2/ Tdoc SMG2 UMTS L1 100, 101/98, "Adjacent Channel Interference in UTRA system, rev.1", 1998
3. /3/ Tdoc SMG2 UMTS L1 465/98, "Balanced approach to evaluating UTRA adjacent Channel protection requirements", Stockholm, 14-16 October 98.
4. /4/ Tdoc SMG2 UMTS L1 694/98, "The relationship between downlink ACS and uplink ACP in UTRA system", Espoo Finland, 14 – 18 December 1998.
5. /5/ "Universal Mobile Telecommunications System(UMTS); Selection procedures for the choice of radio transmission technologies of the UMTS", TR 101 112 V3.1.0 (1997-11), UMTS30.03 version 3.1.0
6. /6/ Pizarrosa, M., Jimenez, J. (eds.), "Common Basis for Evaluation of ATDMA and CODIT System Concepts", MPLA/TDE/SIG5/DS/P/001/b1, September 95.
7. /7/ Concept Group Alpha – Wideband Direct-Sequence CDMA, Evaluation document (Draft 1.0), Part 3: Detailed simulation results and parameters, ETSI SMG2#23, Bad Salzdetfurth, Germany, October 1-3, 1997.

ANNEX: SUMMARY of simulation parameters

Parameter	UL value	DL value
SIMULATION TYPE	snapshot	snapshot
PROPAGATION PARAMETERS		
MCL macro (including antenna again)	70 dB	70 dB
MCL micro (including antenna again)	53 dB	53 dB
Antenna gain (including losses)	11 dBi	0 dBi
	0 dBi	11 dBi
Log Normal fade margin	10 dB	10 dB
PC MODELLING		
# of snapshots	> 10000 for speech > 10 * #of snapshot for speech for 144 kbps service	> 10000 for speech > (10 * #_of_snapshot_for_speech in the 144 kbps case > 20000 for data
#PC steps per snapshot	> 150	> 150
step size PC	perfect PC	perfect PC
PC error	0 %	0 %
margin in respect with target C/I	0 dB	0 dB
Initial TX power	path loss and noise, 6 dB noise rise	random initial
Outage condition	Eb/N0 target not reached due to lack of TX power	Eb/N0 target not reached due to lack of TX power
Satisfied user		measured Eb/N0 higher than Eb/N0 target - 0.5 dB
HANDOVER MODELING		
Handover threshold for candidate set	3 dB	

active set	2	
Choice of cells in the active step	random	
Combining	selection	Maximum ratio combining
NOISE PARAMETERS		
noise figure	5 dB	9 dB
Receiving bandwidth	4.096 MHz proposed	4.096 MHz proposed
noise power	-103 dBm proposed	- 99 dBm proposed
TX POWER		
Maximum BTS power		43 dBm macro 33 dBm micro
Common channel power		30 dBm macro 20 dBm micro
Maximum TX power speech	21 dBm	30 dBm macro 20 dBm micro
Maximum TX power data	21 dBm	30dBm macro 20dBm micro
Power control range	65 dB	25 dB
HANDLING of DOWNLINK maximum TX power		
		Problem identified, agreed to collect as a minimum statistical data A proposal from Nortel was made TBD
ADMISSION CONTROL	Not included	Not included
USER DISTRIBUTION		Random and uniform across the network
INTERFERENCE REDUCTION		
MUD	Off	N/A

non orthogonality factor macrocell	N/A	0.4
non orthogonality microcell	N/A	0.06
COMMON CHANNEL ORTHOGONALITY		Orthogonal
DEPLOYMENT SCENARIO		
Macrocell		Hexagonal with BTS in the middle of the cell
microcell		Manhattan (from 30.03)
BTS type		omnidirectional
Cell radius macro		577 macro
Inter-site single operator		1000 macro
Cell radius micro		block size = 75 m, road 15 m
Inter-site single micro		intersite between line of sight = 180 m
Intersite shifting macro		577 and 577/2 m
# of macro cells		> 19 with wrap around technique)
Intersite shifting macro-micro		see scenario
Number of cells per each operator		see scenario
Wrap around technique		Should be used
SIMULATED SERVICES		
bit-rate speech	8 kbps	8 kbps
Activity factor speech	100 %	100 %
Multipath environment macro	Vehicular macro	Vehicular macro
Eb/N0 target	6.1 dB	7.9 dB
Multipath environment macro	Outdoor micro	Outdoor micro
Eb/N0 target	3.3 dB	6.1 dB

Data rate	144 kbps	144 kbps
Activity factor speech	100 %	100 %
Multipath environment macro	Vehicular macro	Vehicular macro
Eb/N0 target	3.1 dB	2.5 dB with DL TX or RX diversity, 4.5 dB without diversity
Multipath environment macro	Outdoor micro	Outdoor micro
Eb/N0 target	2.4 dB	1.9 dB with DL TX or RX

BTS Receiver Blocking

The simulations are static Monte Carlo using a methodology consistent with that described in the section on ACIR.

The simulations are constructed using two uncoordinated networks that are on different frequencies. The frequencies are assumed to be separated by 10 to 15 MHz or more so that the BS receiver selectivity will not limit the simulation, and so that the UE spurious and noise performance will dominate over its adjacent channel performance. These are factors that distinguish a blocking situation from an adjacent channel situation in which significant BS receiver degradation can be caused at very low levels due to the poor ACP from the UE.

During each trial of the simulations, uniform drops of the UE are made, power levels are adapted, and data is recorded. A thousand such trials are made. From these results, CDF of the total signal appearing at the receivers' inputs have been constructed and are shown in the graphs inserted in the result section

Assumptions for simulation scenario for 1 Km cell radius

The primary assumptions made during the simulations are:

- 1) both networks are operated with the average number of users (50) that provide a 6 dB noise rise,
- 2) the two networks have maximal geographic offset (a worst case condition),
- 3) cell radius is 1 km,
- 4) maximum UE power is 21 dBm,
- 5) UE spurious and noise in a 4.1 MHz bandwidth is 46 dB,
- 6) BS selectivity is 100 dB (to remove its effect),
- 7) C/I requirement is -21 dB,
- 8) BS antenna gain is 11 dB,
- 9) UE antenna gain is 0 dB, and

- 10) minimum path loss is 70 dB excluding antenna gains.

Assumptions for simulation scenario for 5 Km cell radius

The primary assumptions that are common to all simulations are:

- 1) the two networks have maximal geographic offset (a worst case condition),
- 2) cell radius is 5 km,
- 3) UE spurious and noise in a channel bandwidth is 46 dB,
- 4) BS selectivity is 100 dB (to remove its effect),
- 5) BS antenna gain is 11 dB,
- 6) UE antenna gain is 0 dB,
- 7) minimum path loss is 70 dB including antenna gains. In addition,
- 8) for the speech simulations, maximum UE power is 21 dBm and the C/I requirement is -21 dB,
- 9) for the data simulations, maximum UE power is 33 dBm and the C/I requirement is -11.4 dB.

Note that this is different from the basic assumption in the ACIR section, since its data power level is 21 dBm, just like the speech level.

Methodology for coexistence studies FDD/TDD

Methodology for coexistence studies TDD/TDD

[Editor's note: This section has been moved to section 4, General]

Results, implementation issues, and recommendations

This section is intended to collect results on carrier spacing evaluations and maybe some recommendation on deployment coordination, or on multi-layers deployment.

FDD/FDD

ACIR

[Editor's note: currently only results related to the macro-macro case and 8 kbps are included, for both UL and DL. Some results on the 144 kbps case available but NOT included yet]

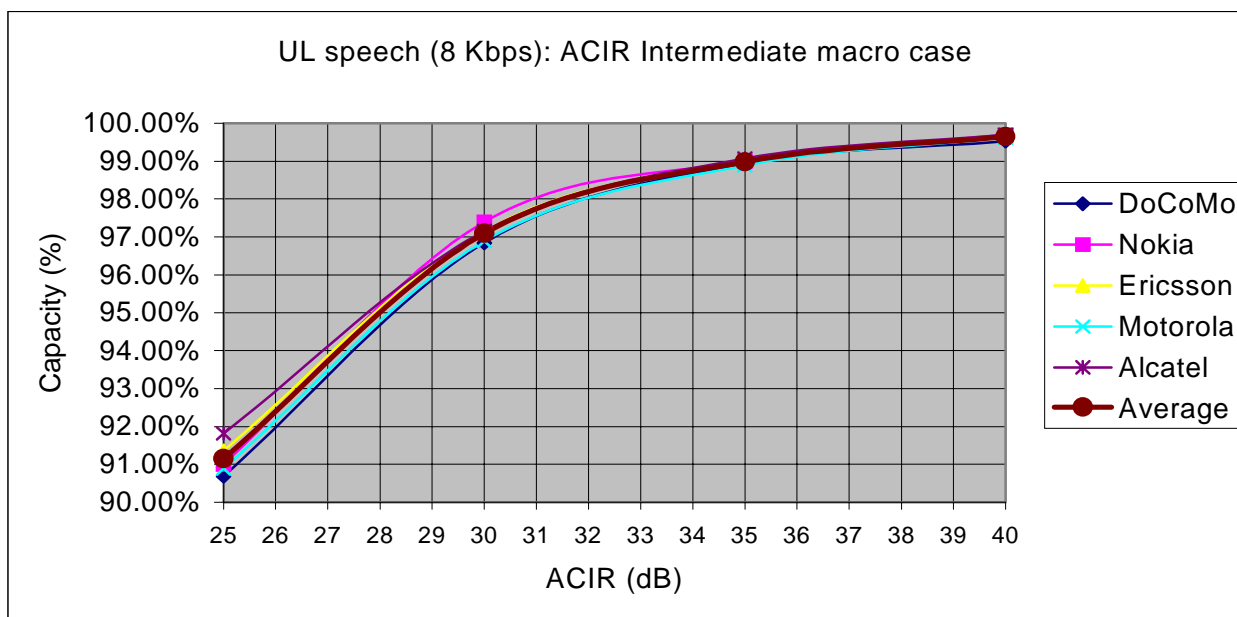
Results are presented in for the following cases detailed below;

UL and DL 8 Kbps speech service

- Intermediate case scenario where the second system are located at a half –cell radius shift.
- Worst case scenario where the second system base stations are located at the cell border of the first system
- Average results for intermediate and worst case

UL Speech (8 kbps) : ACIR Intermediate macro to macro case

ACIR (dB)	DoCoMo	Nokia	Ericsson	Motorola	Alcatel	Average
25	90.69%	91.00%	91.36%	90.90%	91.82%	91.15%
30	96.85%	97.40%	97.16%	96.89%	97.16%	97.09%
35	98.93%	99.00%	99.02%	98.89%	99.07%	98.98%

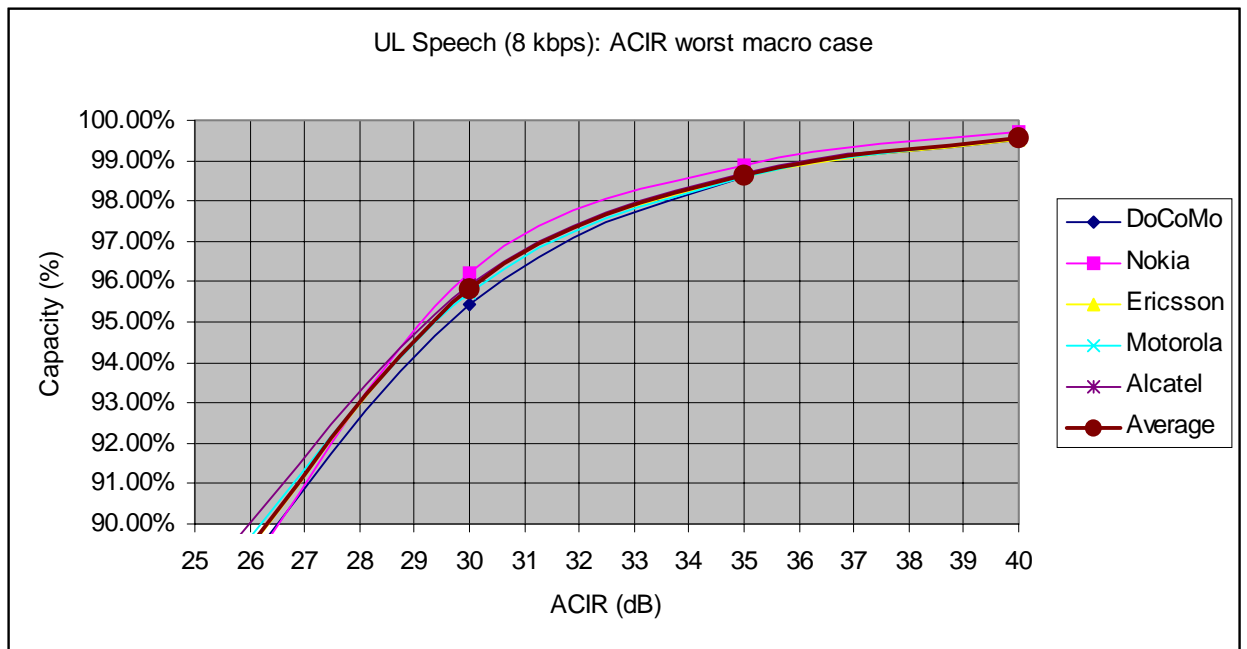


40	99.53%	99.70%	99.68%	99.63%	99.70%	99.65%
----	--------	--------	--------	--------	--------	--------

UL Speech (8 kbps) : ACIR worst macro to macro case

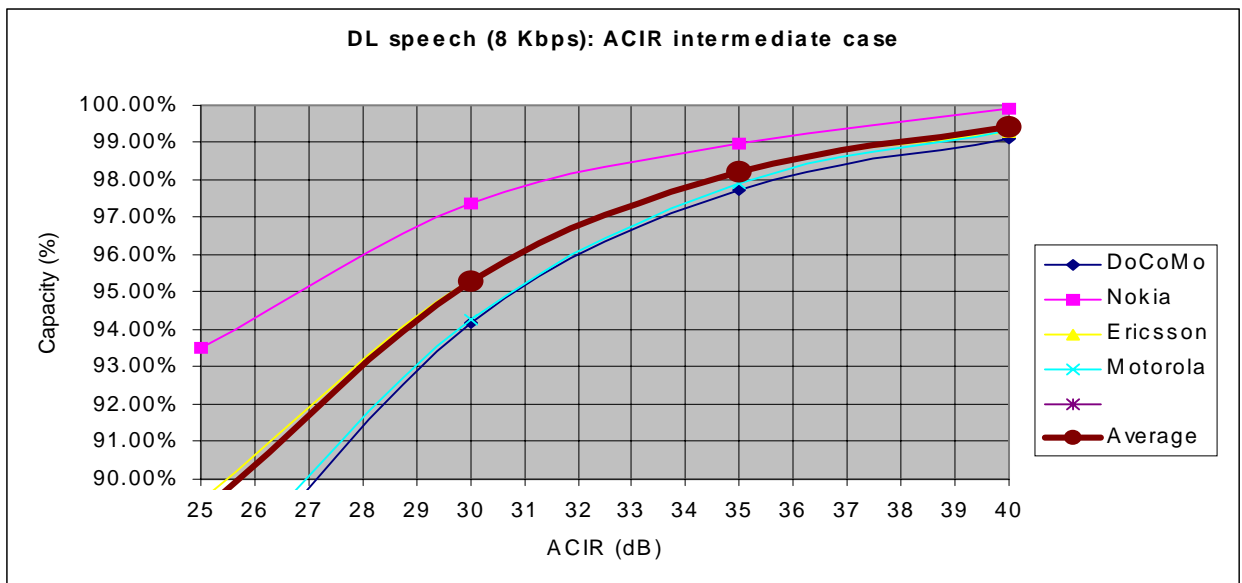
ACIR (dB)	DoCoMo	Nokia	Ericsson	Motorola	Alcatel	Average
25	87.50%	87.00%	87.70%	88.08%	88.45%	87.75%
30	95.42%	96.20%	95.82%	95.71%	95.90%	95.81%
35	98.57%	98.90%	98.57%	98.59%	98.68%	98.66%

40	99.50%	99.70%	99.53%	99.56%	99.57%	99.57%
----	--------	--------	--------	--------	--------	--------



DL Speech (8 kbps) : ACIR intermediate macro to macro case

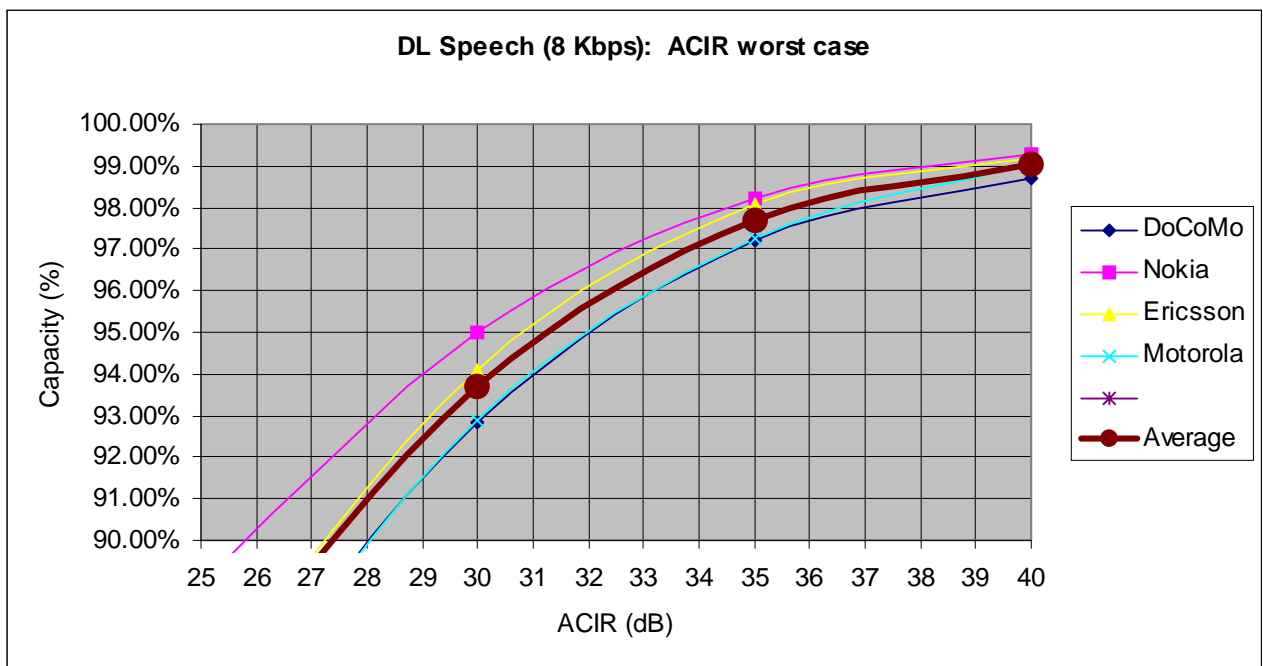
ACIR (dB)	DoCoMo	Nokia	Ericsson	Motorola	Average
25	86.54%	93.50%	89.41%	87.01%	89.12%
30	94.16%	97.40%	95.35%	94.28%	95.30%
35	97.73%	99.00%	98.21%	97.91%	98.21%



40	99.09%	99.90%	99.29%	99.34%	99.41%
----	--------	--------	--------	--------	--------

DL speech (8 Kbps) : ACIR worst macro to macro case

ACIR (dB)	DoCoMo	Nokia	Ericsson	Motorola	Average
25	84.90%	91.00%	86.29%	84.70%	86.72%
30	92.84%	95.50%	94.10%	92.90%	93.84%
35	97.20%	98.20%	98.07%	97.25%	97.68%
40	98.71%	99.10%	99.18%	99.06%	99.01%



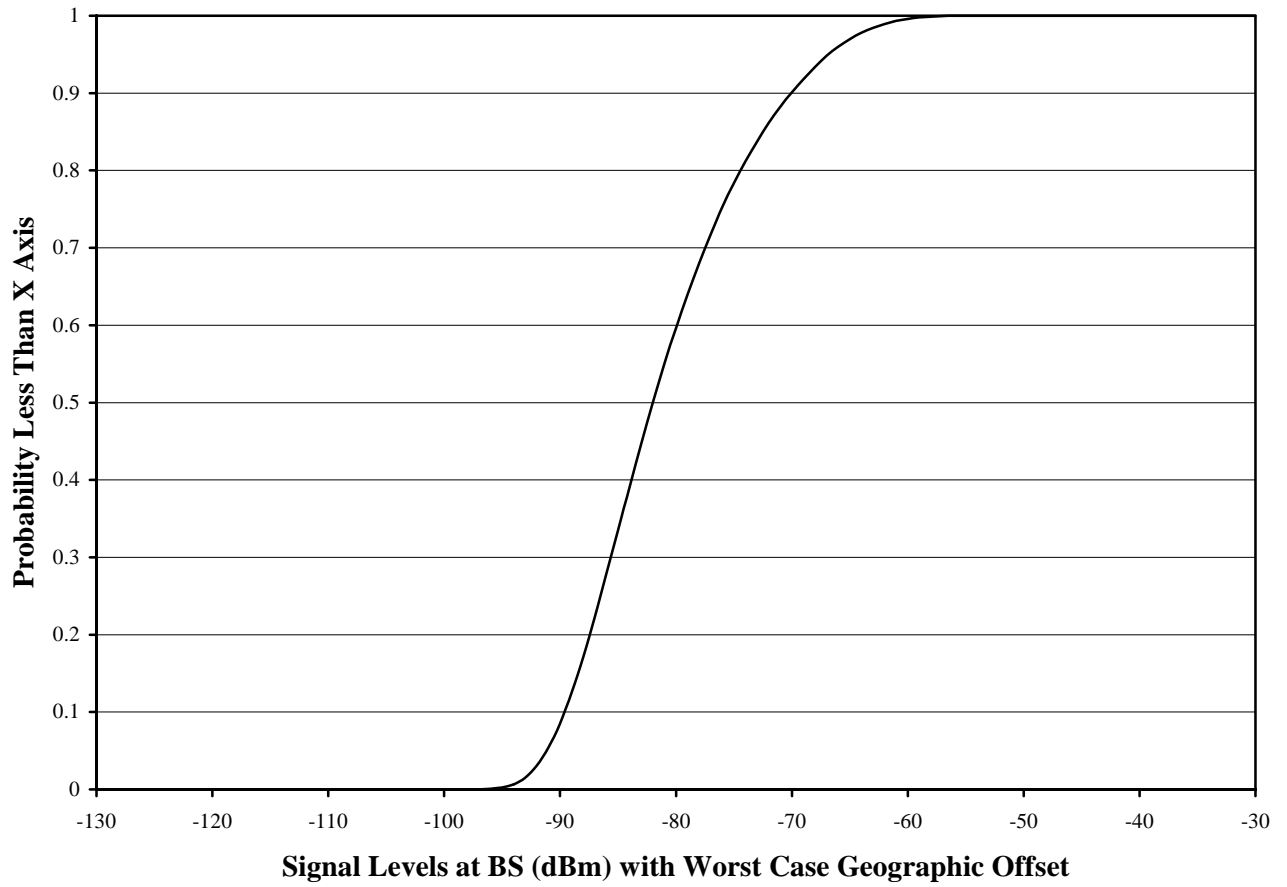
BTS Receiver Blocking

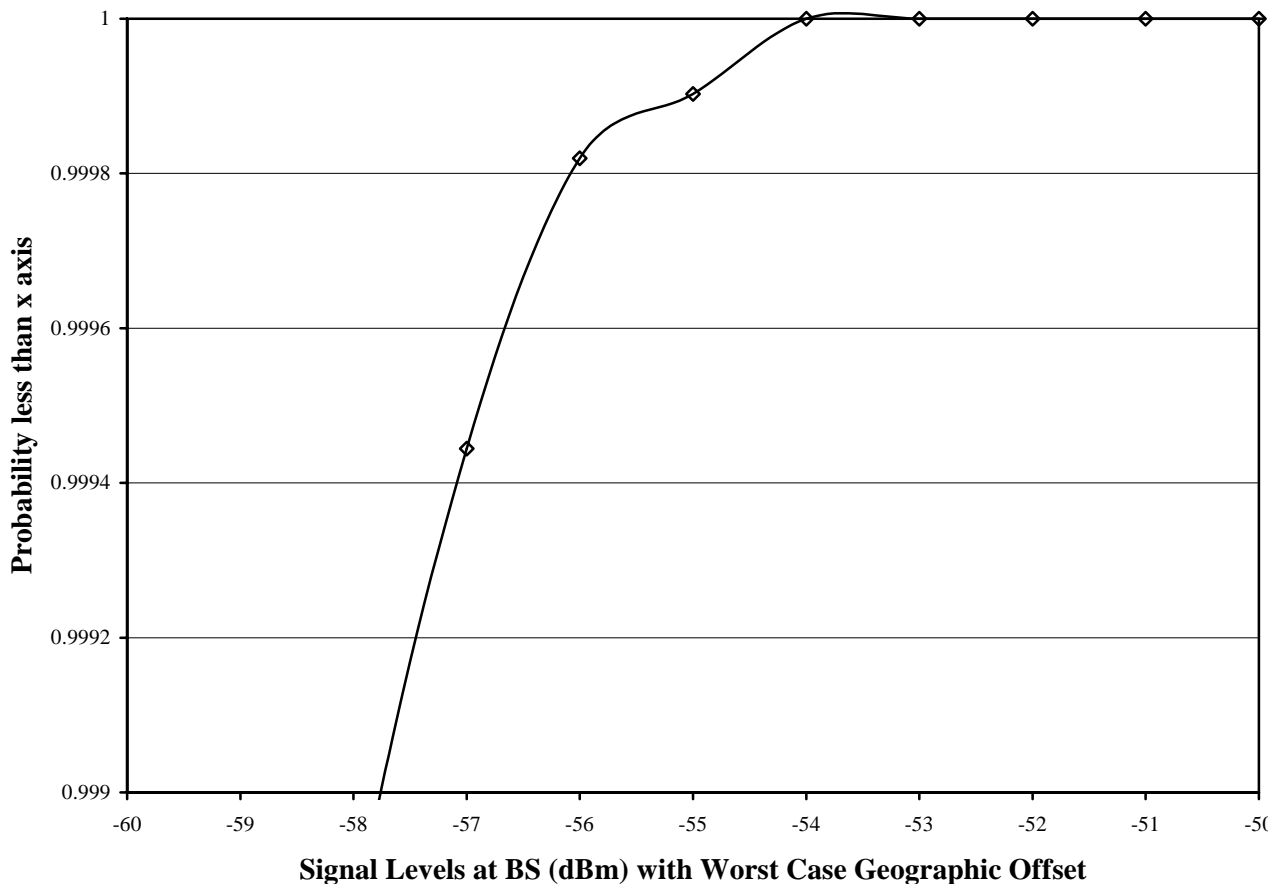
Simulation Results for 1 Km cell radius

[Editor's note: Please note that the results of the simulations are still within brackets]

The first graph shows the overall CDF of the input signals to the receivers, and the second shows an expanded view of the occurrences having probability greater than .999. It can be seen that under the conditions of this simulation, the largest signal occurs at an amplitude of -54 dBm, and this occurs in less than .01% of the cases. A minimum coupling loss scenario would have produced more pessimistic results.

Of course, the conditions just described are for a 21 dBm terminal. Simulations have not been done for a higher power terminal, but it is reasonable to assume that approximate scaling of the power levels by 12 dB (from 21 to 33 dBm) should occur. Therefore, it may be proposed that $-54 + 12 = [-42]$ dBm should be considered a reasonable (if not slightly pessimistic) maximum value for the largest W-CDMA blocking signals.





Simulation Results for 5 Km cell radius

Figure 11 shows the overall CDF of the input signals to the receivers using speech only, and Figure 12 shows an expanded view of the occurrences having probability greater than .998. A sharp discontinuity can be seen at the -49 dBm input level in the expanded view. This occurs because in large cells there are a few occurrences of users operating at their maximum transmitted power level of 21 dBm while they are also close enough to another network's cell to produce a minimum coupling loss condition. Therefore, for this large of a cell, the received signal power level corresponding to 99.99% of the occurrences is very close to the level dictated by MCL and is about -49 dBm ($= 21\text{dBm} - 70$ dB).

The condition just described is for speech only systems with a maximum transmitted power level of 21 dBm. It is probably reasonable to assume that mixed speech and data systems would produce approximately the same result if the maximum power level for a data terminal were also 21 dBm. This is the case given in [1]. However, 33 dBm data terminals may exist, so it would be desirable to consider this higher power case also.

Figures 13 and 14 show the CDF of the input signals to the receivers in mixed speech and data systems. These indicate that 99.99% of occurrences of the input signals to the receivers are about -40 dBm or less. Of course, with this large of a cell, the absolute maximum signal is dictated by MCL also and is only a few dB higher ($33\text{ dBm} - 70\text{ dB} = -37\text{ dBm}$).

Figure 11: CDF of Total Signal for Speech Only System with 5km Cells and Worst Case Geographic Offset

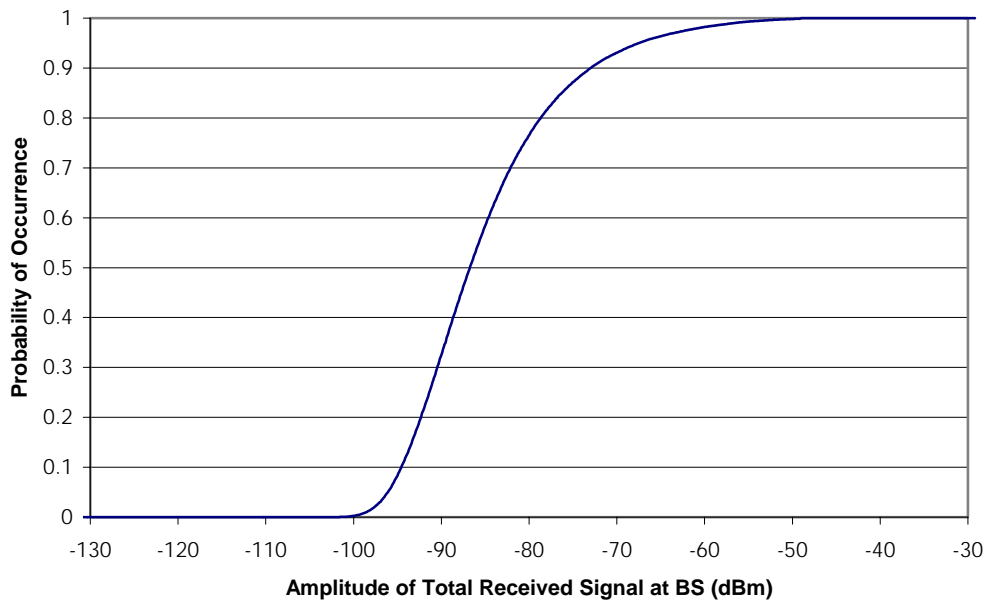


Figure 12: CDF of Total Signal for Speech Only System with 5km Cells and Worst Case Geographic Offset

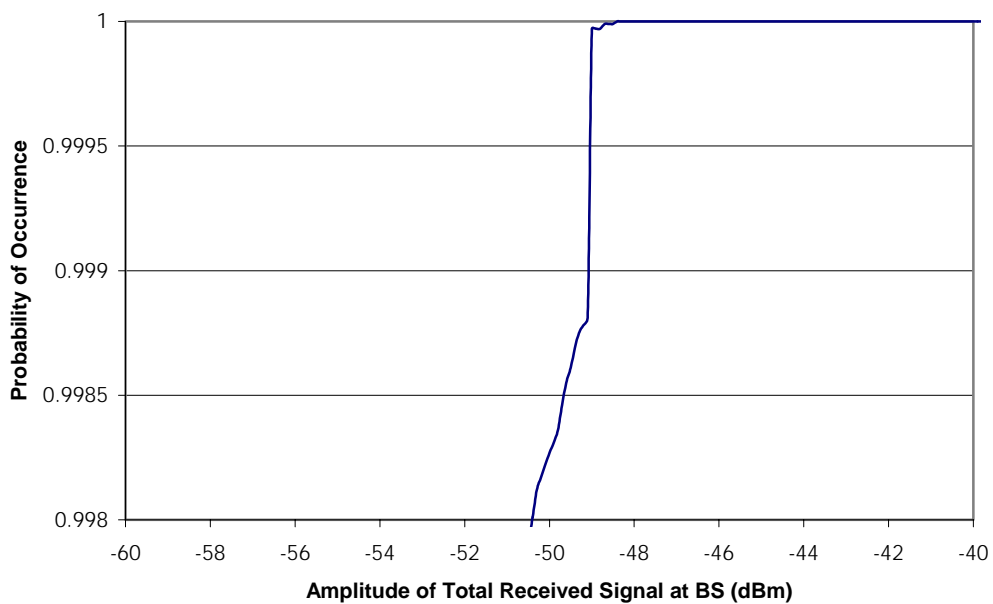


Figure 13: CDF of Total Signal for Mixed Speech and Data System with 5km Cells and Worst Case Geographic Offset

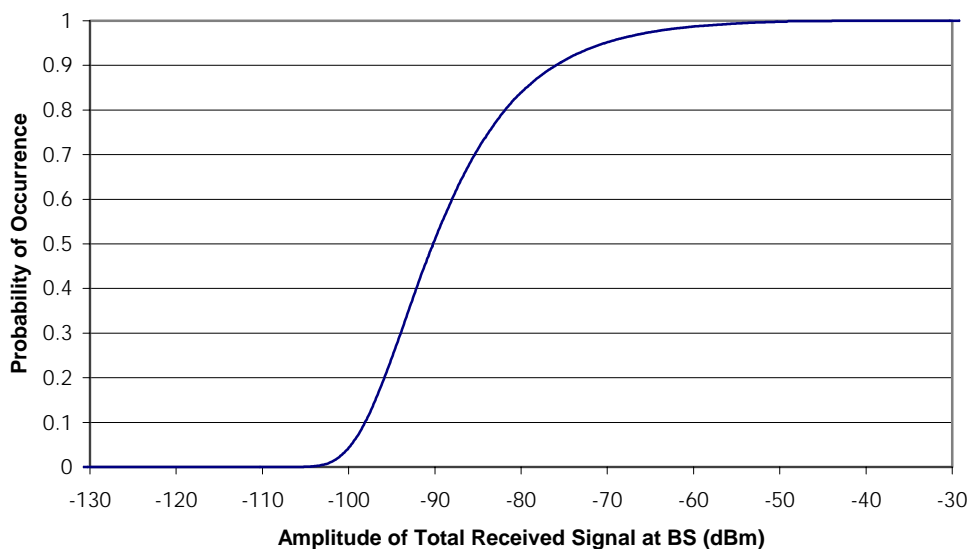
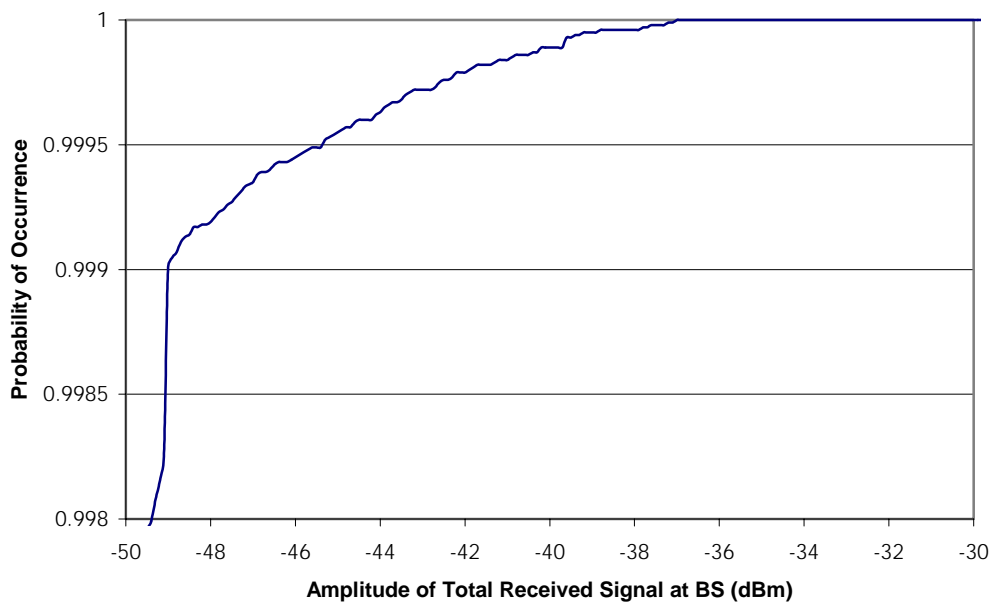


Figure 14: CDF of Total Signal for Mixed Speech and Data System with 5km Cells and Worst Case Geographic Offset



Recent proposals from other companies have indicated that it may be desirable to allow more than the 3 dB degradation in sensitivity that is typically used in the measurement of a blocking spec. This is probably reasonable since:

- 1) the interfering UE's spurious and noise are going to dominate the noise in the victim cell in a real system, and

- 2) the measurement equipment is approaching the limit of its capability in the performance of this test.

The first comment is evident by observing that the interfering UE's noise two channels from its assigned frequency is probably typically in the range of -90 dBm ($= -40$ dBm $- 50$ dB), which is greatly larger than the typical noise floor of the receiver at -103 dBm. The second comment is evident by observing that the typical noise floor of most high quality signal generators is 65 to 70 dBc with a W-CDMA signal. This results in test equipment generated noise of -105 to -110 dBm, which can produce a significant error in the blocking measurement.

In view of these concerns, it is probably reasonable to allow more than a 3 dB increase in the specified sensitivity level under the blocking condition. Other proposals recommend up to a 13 dB sensitivity degradation in the blocking spec and a 6 dB degradation in similar specs (like receiver spurious and IM). Motorola would consider 6 dB preferable.

In conclusion, the in-band blocking specification for UTRA should be -40 dBm (assuming that 33 dBm terminals will exist), and the interfering (blocking) test signal should be an HPSK carrier. A 6 dB degradation in sensitivity under the blocking condition should be allowed.

FDD/TDD

TDD/TDD

Uplink modulation accuracy

Value for Modulation Accuracy

The specification value for EVM_{chip} should be chosen to provide sufficient receiver performance and to limit the extra noise power that could be transmitted.

Receiver performance is determined by EVM_{symbol} . A typical minimum requirement for EVM in other cellular systems is 12.5% . Assuming 12.5% should be guaranteed for EVM_{symbol} even up to 2.048 kbps. Then corresponding minimum requirement for EVM_{chip} should be 25% . Tougher requirements will provide unnecessary implementation constraints for terminals that do not support these high data rates.

With 25% EVM_{chip} , the maximum amplitude of the noise error vector is 25% of the amplitude of the signal vector. This means that the total UE power maybe increased by maximum 0.26 dB "noise power". Table below gives the relation between EVM_{chip} and worst-case additional power transmitted by UE.

EVM_{chip} (%)	Max. Power increase (dB)
25	0.26
20	0.17

17.5	0.13
15	0.096
12.5	0.067

Considering the system performance, receiver performance and implementation perspective, a value of 17.5% was considered a reasonable minimum requirement for WCDMA uplink modulation accuracy.

References for minimum requirements

PDC and TDMA have a similar modulation as WCDMA and have a minimum requirement of 12.5% for EVM_{symbol} .

PDC specification: Personal Digital Cellular Telecommunication System, section 3.4.2.9, ARIB, RCR STD 27, Rev. G, 1998.

TDMA specification: Mobile Stations Minimum Performance, section 3.3.2.1, TR45, TIA/EIA-136-270-A, 1998.

History

Document history		
Date	Version	Comment
February 1999	0.0.1	Based on XX.17 v 1.0.1 approved by ETSI at SMG # 29
March 1999	0.0.2	Scope updated according to R4-99017 IPR section modified
April 1999	0.0.3	<ul style="list-style-type: none"> • Document restructured according to doc R4-99124 • Insertion of text from AH 02 (doc WG4-136) in section 5.1 <ul style="list-style-type: none"> • Section 5.1 updated according on AH02 decisions during WG4#3 (see doc R4-99157) <ul style="list-style-type: none"> • DL power control • Minimum # of cells in the macrolayer (macro to macro) • New Macro to micro layer layout introduced as per Doc R4-99157 • Proposed insertion of text from document R4-99108 in the following sections: <ul style="list-style-type: none"> • Section 5.2 (assumptions for simulation scenario) • Section 8.2 (Results - in square brackets -) • Proposal for a new section on document status • New document name introduced according to RAN #3 decisions
May 1999	0.1.0	Version number raised to 0.1.0 at WG4#4
May 1999	0.1.1	AH 02 agreements on UL microcell loading added in the macro-micro lading section
June 1999	0.1.2	<ul style="list-style-type: none"> • Section on Document Status (previous section 10) moved to an Annex • Annex A: Document Status updated • New section on Uplink Modulation Accuracy was introduced, based on R4-99220

June 1999	0.1.3	<ul style="list-style-type: none"> • ACIR simulation results on the macro-to-macro FDD coexistence, UL and DL, 8 kbps added
June 1999	1.0.0	<ul style="list-style-type: none"> • Insertion of text from document R4-99314 (BTS Receiver Blocking) in sections: <ul style="list-style-type: none"> • 5.2 (assumptions for simulation scenario for 5Km cell radius) • 8.2 (results for 5 Km cell radius)
Editor for 25.942 is:		
<p>Omnitel</p> <p>Nadia Benabdallah Tel: +39 0125 624119 Fax: +39 0125 624734 e-mail: nadia.benabdallah@omnitel.it</p> <p>Andrea De Pasquale Tel: +39 0125 624319 Fax: +39 0125 624734 e-mail: andrea.depasquale@omnitel.it</p>		
This document is written in Microsoft Word version 6.0.		

Annex A

Document Status

Section	Comments
Section 8.1.1	Summary of ACIR results for the macro-macro case for 144 kbps case not included yet (some results available)
Section 8.1.2	New contribution correcting previous results on FDD BTS blocking expected by Motorola