

**3GPP TSG CN Plenary
Meeting #11, Palm Springs, U.S.A
14th - 16th March 2001**

Tdoc NP-010216

Source: Rapporteur (Vodafone)
Title: TS 29.232 version 2.1.0
Agenda item: 8.3
Document for: APPROVAL

Introduction:

This document includes TS 29.232 v.2.1.0, which is the result of revising TS 29.232 v2.0.0 in accordance with the discussion in TSG CN meeting #11. It is presented to TSG CN Plenary meeting #11 for approval.

**3rd Generation Partnership Project;
Technical Specification Group Core Network;
Media Gateway Controller (MGC) – Media Gateway (MGW)
Interface;
Stage 3
(Release 4)**



The present document has been developed within the 3rd Generation Partnership Project (3GPP™) and may be further elaborated for the purposes of 3GPP.

The present document has not been subject to any approval process by the 3GPP Organisational Partners and shall not be implemented. This Specification is provided for future development work within 3GPP only. The Organisational Partners accept no liability for any use of this Specification. Specifications and reports for implementation of the 3GPP™ system should be obtained via the 3GPP Organisational Partners' Publications Offices.

Keywords

<keyword[, keyword]>

3GPP

Postal address

3GPP support office address

650 Route des Lucioles - Sophia Antipolis
Valbonne - FRANCE
Tel.: +33 4 92 94 42 00 Fax: +33 4 93 65 47 16

Internet

<http://www.3gpp.org>

Copyright Notification

No part may be reproduced except as authorized by written permission.
The copyright and the foregoing restriction extend to reproduction in all media.

© 2000, 3GPP Organizational Partners (ARIB, CWTS, ETSI, T1, TTA, TTC).
All rights reserved.

Contents

Foreword.....	6
1 Scope	7
2 References	7
3 Definitions, symbols and abbreviations.....	8
3.1 Definitions.....	8
3.2 Symbols.....	8
3.3 Abbreviations	8
4 UMTS capability set.....	8
5 Naming conventions	9
5.1 MGC/MGW naming conventions	9
5.2 Termination names.....	9
6 Topology descriptor.....	9
7 Transaction timers	9
8 Transport.....	9
9 Multiple Virtual MG.....	9
10 Formats and codes	9
11 Mandatory Support of SDP and H.248 Annex C information elements.....	10
12 General on packages.....	10
13 BICC packages	10
13.1 Mandatory BICC packages	10
13.2 Optional BICC packages.....	10
14 H.248 standard packages	11
14.1 Call independent H.248 transactions.....	11
14.1.1 MGW out-of-service.....	12 ¹²⁺¹
14.1.2 MGW communication up	12
14.1.3 MGW restoration.....	12
14.1.4 MGW register	12
14.1.5 MGW re-register	13 ¹³⁺²
14.1.6 (G)MSC ordered re-register.....	13 ¹³⁺²
14.1.7 (G)MSC restoration	13 ¹³⁺²
14.1.8 Termination out-of-service	13
14.1.9 Termination restoration	13
14.1.10 Audit value	14 ¹⁴⁺³
14.1.11 Audit capability	14 ¹⁴⁺³
14.1.12 MGW capability update.....	14 ¹⁴⁺³
14.1.13 (G)MSC Out of Service	14
14.2 Call related H.248 transactions	14
14.2.1 Change flow direction	15 ¹⁵⁺⁴
14.2.2 Isolate bearer terminations.....	16 ¹⁶⁺⁵
14.2.3 Join bearer terminations.....	16 ¹⁶⁺⁵
14.2.4 Establish bearer	16 ¹⁶⁺⁵
14.2.5 Prepare Bearer	16 ¹⁶⁺⁵
14.2.6 Change through connection	17 ¹⁷⁺⁶
14.2.7 Activate interworking function.....	17 ¹⁷⁺⁶
14.2.8 Release procedures	17 ¹⁷⁺⁶
14.2.8.1 Release bearer	17 ¹⁷⁺⁶
14.2.8.2 Release termination.....	17 ¹⁷⁺⁶
14.2.9 Bearer released	18 ¹⁸⁺⁷

14.2.10	Bearer established.....	<u>1847</u>
14.2.11	Send tone.....	<u>1847</u>
14.2.12	Play announcement.....	<u>1847</u>
14.2.13	Send DTMF.....	<u>1847</u>
14.2.14	Detect DTMF.....	<u>1847</u>
14.2.15	Report DTMF.....	<u>1847</u>
14.2.16	Announcement completed.....	<u>1847</u>
14.2.17	Activate voice processing function.....	<u>1847</u>
14.2.18	Reserve circuit.....	<u>1948</u>
14.2.19	Tunnel information up.....	<u>1948</u>
14.2.20	Tunnel information down.....	<u>2049</u>
14.2.21	Tone completed.....	<u>2049</u>
14.2.22	Stop announcement.....	<u>2049</u>
14.2.23	Stop tone.....	<u>2049</u>
14.2.24	Stop DTMF detection.....	<u>2049</u>
14.2.25	Stop DTMF.....	<u>2049</u>
14.2.26	Confirm char.....	<u>2049</u>
14.2.27	Modify char.....	<u>2049</u>
14.2.28	Reserve char.....	<u>2049</u>
14.2.29	Bearer modified.....	<u>2049</u>
14.2.30	Bearer modification failed.....	<u>2049</u>
14.2.31	TFO Activation.....	<u>2120</u>
14.2.32	Optimal codec and distant list_notify.....	<u>2120</u>
14.2.33	Codec modify.....	<u>2120</u>
14.2.34	Distant codec list.....	<u>2221</u>
14.2.35	Command rejected.....	<u>2221</u>
14.2.36	Modify bearer.....	<u>2221</u>
15	UMTS packages.....	<u>2322</u>
15.1	Mandatory UMTS packages.....	<u>2423</u>
15.1.1	3GUP package.....	<u>2423</u>
15.1.1.1	Properties.....	<u>2423</u>
15.1.1.2	Events.....	<u>2625</u>
15.1.1.3	Signals.....	<u>2625</u>
15.1.1.4	Statistics.....	<u>2625</u>
15.1.1.5	Procedures.....	<u>2625</u>
15.1.2	Circuit Switched Data package.....	<u>2726</u>
15.1.2.1	Properties.....	<u>2726</u>
15.1.2.2	Events.....	<u>2827</u>
15.1.2.3	Signals.....	<u>2928</u>
15.1.2.4	Statistics.....	<u>2928</u>
15.1.2.5	Procedures.....	<u>2928</u>
15.1.3	TFO package.....	<u>3029</u>
15.1.3.1	Properties.....	<u>3029</u>
15.1.3.2	Events.....	<u>3130</u>
15.1.3.3	Signals.....	<u>3231</u>
15.1.3.4	Statistics.....	<u>3231</u>
15.1.3.5	Procedures.....	<u>3231</u>
15.1.4	3G Expanded Call Progress Tones Generator Package.....	<u>3231</u>
15.1.4.1	Properties.....	<u>3231</u>
15.1.4.2	Events.....	<u>3231</u>
15.1.4.3	Signals.....	<u>3231</u>
15.1.4.4	Statistics.....	<u>3332</u>
15.1.4.5	Procedures.....	<u>3332</u>
15.2	Optional UMTS packages.....	<u>3332</u>

Annex A (informative): 3332

The Framing protocol Interworking Function (FIF).....	<u>3332</u>
A.1 Introduction	<u>3332</u>
A.2 FIF procedures with respect to Iu framing protocol	<u>3433</u>
A.2.1 Payload.....	<u>3433</u>
A.2.2 RFCIs	<u>3433</u>
A.2.3 FQC.....	<u>3433</u>
A.2.4 Frame number	<u>3534</u>
A.3 Relay of status information.....	<u>3534</u>
A.3.1 Initialisation	<u>3534</u>
A.3.2 Rate Control Frames	<u>3534</u>
A.3.2 Time Alignment	<u>3635</u>
History	<u>3635</u>

Foreword

This Technical Specification has been produced by the 3rd Generation Partnership Project (3GPP).

The contents of the present document are subject to continuing work within the TSG and may change following formal TSG approval. Should the TSG modify the contents of the present document, it will be re-released by the TSG with an identifying change of release date and an increase in version number as follows:

Version x.y.z

where:

- x the first digit:
 - 1 presented to TSG for information;
 - 2 presented to TSG for approval;
 - 3 or greater indicates TSG approved document under change control.
- y the second digit is incremented for all changes of substance, i.e. technical enhancements, corrections, updates, etc.
- z the third digit is incremented when editorial only changes have been incorporated in the document.

1 Scope

The present document describes the protocol to be used on the Media Gateway Controller (MGC) – Media Gateway (MGW) interface. The Media Gateway Controllers covered in this specification are the MSC server and the GMSC server. The basis for this protocol is the H.248/MEGACO protocol as specified in ITU-T and IETF. The BICC architecture as described in 3GPP TS 23.205 ~~[2][2]~~ and 3GPP 29.205 ~~[7][7]~~ defines the usage of this protocol.

This specification describes the changes to H.248/MEGACO which are needed to handle 3GPP specific traffic cases. This is done by using the H.248/MEGACO standard extension mechanism.

The present document is valid for a 3rd generation PLMN (UMTS) complying with Release 4 and later.

2 References

The following documents contain provisions which, through reference in this text, constitute provisions of the present document.

- References are either specific (identified by date of publication, edition number, version number, etc.) or non-specific.
- For a specific reference, subsequent revisions do not apply.
- For a non-specific reference, the latest version applies.

- ~~[14]~~ 3GPP TS 23.153: "3rd Generation Partnership Project; Technical Specification Group Core Network; Out of Band Transcoder Control - Stage 2"
- ~~[22]~~ 3GPP TS 23.205: "3rd Generation Partnership Project; Technical Specification Group Core Network; Bearer Independent CS Core Network – Stage 2"
- ~~[33]~~ 3GPP TS 24.008: "3rd Generation Partnership Project; Technical Specification Group Core Network; Mobile radio interface layer 3 specification"
- ~~[44]~~ 3GPP TS 25.415: "3rd Generation Partnership Project; Technical Specification Group Radio Access Network; UTRAN Iu interface user plane protocols".
- ~~[55]~~ 3GPP TS 28.062: "3rd Generation Partnership Project; Technical Specification Group Services & System Aspects; In-band Tandem Free Operation (TFO) of Speech Codecs; Stage 3 – Service Description"
- ~~[66]~~ 3GPP TS 29.007: "3rd Generation Partnership Project; Technical Specification Group Core Network; General requirements on interworking between the Public Land Mobile Network (PLMN) and the Integrated Services Digital Network (ISDN) or Public Switched Telephone Network (PSTN)"
- ~~[77]~~ 3GPP TS 29.205: "3rd Generation Partnership Project; Technical Specification Group Core Network; Application of Q.1900 series to Bearer Independent CS Network architecture; Stage 3"
- ~~[88]~~ 3GPP TS 29.415: "3rd Generation Partnership Project; Technical Specification Group Core Network; CN Nb interface user plane protocols".
- ~~[99]~~ 3GPP TS 48.008: "3rd Generation Partnership Project; Technical Specification Group GSM EDGE Radio Access Network; Mobile-services Switching Centre - Base Station System (MSC - BSS) interface; Layer 3 specification".
- ~~[1040]~~ ITU-T Recommendation H.248 ~~(06/00)~~: "Media Gateway Control Protocol" ~~(06/00)~~
- ~~[11]~~ ~~ITU-T Recommendation Q.765.5: "Application Transport Mechanism"~~
- ~~[1242]~~ ITU-T Recommendation Q.2210 ~~(07/96)~~: "Message transfer part level 3 functions and messages using the services of ITU-T Recommendation Q.2140"

[1313] RFC 2960 "Stream Control Transmission Protocol"

3 Definitions, symbols and abbreviations

3.1 Definitions

For the purposes of the present document, the following terms and definitions apply.

Context (H.248): A context is an association between a number of Terminations. The context describes the topology (who hears/sees whom) and the media mixing and/or switching parameters if more than two terminations are involved in the association.

Package (H.248): Different types of gateways may implement terminations which have differing characteristics. Variations in terminations are accommodated in the protocol by allowing terminations to have optional properties. Such options are grouped into packages, and a termination may realise a set of such packages.

Termination (H.248): A termination is a logical entity on an MGW which is the source and/or sink of media and/or control streams. A termination is described by a number of characterising properties, which are grouped in a set of descriptors which are included in commands. Each termination has a unique identity (TerminationID).

Termination Property (H.248): Termination properties are used to describe terminations. Related properties are grouped into descriptors. Each termination property has a unique identity (PropertyID).

3.2 Symbols

For the purposes of the present document, the following symbols apply:

Iu	Interface between the RNS and the core network. It is also considered as a reference point.
Mc	Interface between the server and the media gateway.

3.3 Abbreviations

For the purposes of the present document, the following abbreviations apply:

BICC	Bearer Independent Call Control
MGC	Media Gateway Controller
MTP3	Message Transfer Part layer 3
RFC	Request For Comment; this includes both discussion documents and specifications in the IETF domain
SCTP	Stream Control Transmission Protocol
TFO	Tandem Free Operation
TrFO	Transcoder Free Operation

4 UMTS capability set

This capability set shall be used in its entirety whenever it is used within an H.248 profile. Failure to do so will result in a non-standard implementation.

ITU-T Recommendation H.248 version 1 (06/00) [10][10] is supported by this Capability Set. The compatibility rules for packages, signals, events, properties and statistics and the H.248 protocol are defined in ITU-T Recommendation H.248 [10][10].

5 Naming conventions

5.1 MGC/MGW naming conventions

The MGC shall be named according to the naming structure of the underlying transport protocol which carries the H.248 protocol.

5.2 Termination names

The Termination ID structure is provisioned in the MGC and MGW and is known by the MGW and the MGC at or before start-up. It should be possible to distinguish between ephemeral and physical terminations.

6 Topology descriptor

The Topology Descriptor shall be supported by the MGW and MGC for handover and lawful interception.

7 Transaction timers

All transaction timers specified in H.248 shall be supported in this subset of the protocol.

8 Transport

MTP3B as defined in ITU—T Recommendation Q.2210 [\[12\]\[12\]](#) (for ATM signalling transport) or SCTP as defined in RFC2960 [\[13\]\[13\]](#) (for IP signalling transport) shall be used as the transport protocol.

9 Multiple Virtual MG.

If an MGW is connected to more than one (G)MSC, the MGW shall fulfil the requirements outlined in the section "Multiple virtual MGW" in ITU-T Recommendation H.248 [\[10\]\[10\]](#)

10 Formats and codes

Table 1 shows the parameters which are required, in addition to those defined in the subclause "Formats and Codes" of ITU—T Recommendation Q.1950 (see 3GPP TS 29.205 [\[7\]\[7\]](#)).

The coding rules applied in ITU-T Recommendation H.248 [\[10\]\[10\]](#) for the applicable coding technique shall be followed for the UMTS capability set.

Table 1: Additional parameters required

actprot	Signal descriptor	As for the signal "Activate protocol" in subclause 15.1.2.3
Mode	Local control	As for the property "UP mode of operation" in subclause 15.1.1.1
Version	Local control	As for the property "Upversion" in subclause 15.1.1.1
Value	Local control	As for the property " Delivery of erroneous SDUs" in subclause 15.1.1.1
Interface	Local control	As for the property " Interface" in subclause 15.1.1.1
Initdirection	Local control	As for the property " Initialisation Direction" in subclause 15.1.1.1
PLMN bearer capability	Local control	As for the property "PLMN BC" in subclause 15.1.2.1
Coding	Local control	As for the property " GSM channel coding" in subclause 15.1.2.1
Tfoenable	Local control	As for the property " TFO activity control" in subclause 15.1.3.1
Codeclist	Local control	As for the property" TFO Codec List" in subclause 15.1.3.1
Result	ObservedEvent descriptor	As for the ObservedEventDescriptor parameter "Protocol Negotiation Result" in subclause 15.1.2.2
Cause	ObservedEvent descriptor	As for the ObservedEventDescriptor parameter "Protocol Negotiation Result" in subclause 15.1.2.2
Rate	ObservedEvent descriptor	As for the ObservedEventDescriptor parameter "Rate Change" in subclause 15.1.2.2
Optimalcodec	ObservedEvent descriptor	As for the ObservedEventDescriptor parameter "Optimal Codec Type" in subclause 15.1.3.2
Distlist	ObservedEvent descriptor	As for the ObservedEventDescriptor parameter "Distant TFO List" in subclause 15.1.3.2
Off / value	Local control	As for the property "Echo cancelling" in subclause E.13.1 in ITU-T Recommendation H.248 [10][40]
Error	Error descriptor	As defined in the subclause "Command error code" in ITU-T Recommendation H.248 [10][40]

11 Mandatory Support of SDP and H.248 Annex C information elements

This section shall be in accordance with the subclause "Mandatory Support of SDP and H.248 Annex C information elements" in ITU-T Recommendation Q.1950 (see 3GPP TS 29.205 [7][7]).

12 General on packages

13 BICC packages

13.1 Mandatory BICC packages

The following BICCPackages shall be supported:

- Bearer Characteristics Package (see [Error! Reference source not found.](#) ITU-T Recommendation Q.1950 Annex A.3);
- Bearer Network Connection Cut Through Package (see [Error! Reference source not found.](#) ITU-T Recommendation Q.1950 Annex A.4);
- Generic Bearer Connection Package (see [Error! Reference source not found.](#) ITU-T Recommendation Q.1950 Annex A.6).

13.2 Optional BICC packages

The following BICC packages shall be supported as required by the network services deployed in the network:

- Basic Call Progress Tones Generator with Directionality, (-See [Error! Reference source not found.](#) ITU-T Recommendation Q.1950 Annex A.8)
 - Expanded Call Progress tones Generator Package (See [Error! Reference source not found.](#) ITU-T Recommendation Q.1950 Annex A.9)
 - Basic Services Tones Generation Package, (See [Error! Reference source not found.](#) ITU-T Recommendation Q.1950 Annex A.10)
 - Reuse Idle Package (see [Error! Reference source not found.](#) ITU-T Recommendation Q.1950 Annex A.5);
 - Bearer Control Tunnelling Package (see [Error! Reference source not found.](#) ITU-T Recommendation Q.1950 Annex A.7);
-

14 H.248 standard packages

The following H.248 packages are used by this UMTS Capability Set:

- Generic v1 (see [\[10\]40](#) Annex E.1);
- Base Root Package v1 (see [\[10\]40](#) Annex E.2);
- Tone Generator Package v1 (see [\[10\]40](#) Annex E.3);
- Tone Detection Package v1 (see [\[10\]40](#) Annex E.4);
- Basic DTMF Generator Package v1 (see [\[10\]40](#) Annex E.5);
- DTMF Detection Package v1 (see [\[10\]40](#) Annex E.6);
- Call Progress Tones Generator Package v1 (see [\[10\]40](#) Annex E.7);
- Generic Announcement Package v1 (see [\[10\]40](#) Annex K);
- TDM Circuit Package v1 (see [\[10\]40](#) Annex E.13).

14.1 Call independent H.248 transactions

Table 2 shows the relationship between each non call-related procedure in ITU-T Recommendation Q.1950 (see 3GPP TS 29.205 [\[7\]7](#)) and the corresponding stage 2 procedure defined in 3GPP TS 23.205 [\[2\]2](#).

Table 2: Correspondence between Q.1950 non call-related transactions and TS 23.205 procedures

Transaction used in Q.1950	Procedure defined in 3GPP TS 23.205 [2][2]	Comments
BIWF_Service_Cancellation_Indication	MGW Out-of-Service	
BIWF_Lost_Communication	MGW Communication Up	
BIWF_Service_Restoration_Indication	MGW Restoration	
BIWF_Registration	MGW register	
BIWF_Re-Registration	MGW re-register	
CCU Ordered BIWF Re-Registration	(G)MSC ordered re-register	
CCU Initiated Service Restoration	(G)MSC restoration	
CCU Initiated Service Cancellation	(G)MSC out of service	
BIWF_Service_Cancellation_Indication	Termination Out-of-Service	Is a part of BIWF Service cancellation in Q.1950
BIWF_Service_Restoration_Indication	Termination Restoration	Is a part of BIWF Service cancellation in Q.1950
Audit_Values	Audit Value	
Audit_Capabilities	Audit Capability	
BIWF_Capability_Change	Capability Update	

14.1.1 MGW out-of-service

This procedure is the same as described in the subclause "BIWF Service Cancellation Indication" in ITU-T Recommendation Q.1950 (see 3GPP TS 29.205 [7][7]), with the following clarification.

Address Information	Control information	Bearer information
	Transaction ID = z Context ID = Null Termination ID = Root Service Change Reason = MGW impending failure Service Change Method = Graceful / Forced	

Delay is not used.

14.1.2 MGW communication up

This procedure is the same as described in the subclause "BIWF Lost Communication" in ITU-T Recommendation Q.1950 (see 3GPP TS 29.205 [7][7]).

Address Information	Control information	Bearer information

14.1.3 MGW restoration

This procedure is the same as described in the subclause "BIWF Service Restoration Indication" in ITU-T Recommendation Q.1950 (see 3GPP TS 29.205 [7][7]) with the following clarification.

Address Information	Control information	Bearer information
	Transaction ID = z Context ID = Null Termination ID = Root	

Delay is not used.

14.1.4 MGW register

This procedure is the same as that described in the subclause "BIWF Registration" in ITU-T Recommendation Q.1950 (see 3GPP TS 29.205 [7][7]).

14.1.5 MGW re-register

This procedure is the same as that described in the subclause "BIWF Re-Registration" in ITU-T Recommendation Q.1950 (see 3GPP TS 29.205 [7][7]).

14.1.6 (G)MSC ordered re-register

This procedure is the same as described in the subclause "CCU Ordered BIWF Re-registration" in ITU-T Recommendation Q.1950 (see 3GPP TS 29.205 [7][7]) with the following correction.

Address Information	Control information	Bearer information
Use New MGC Control Address: Service Change Address = MGC Control Address	Service Change Reason = MGC impending failure	

14.1.7 (G)MSC restoration

This procedure is the same as described in the subclause "CCU initiated service restoration" in ITU-T Recommendation Q.1950 (see 3GPP TS 29.205 [7][7]) with the following clarification.

Address Information	Control information	Bearer information
	Context ID = Null Termination ID = Root Service Change Reason = Cold Boot / Warm Boot Service Change Method = Restart	

Delay is not used.

14.1.8 Termination out-of-service

This procedure is the same as described in the subclause "BIWF Service Cancellation Indication" in ITU-T Recommendation Q.1950 (see 3GPP TS 29.205 [7][7]) with the following clarification.

ServiceChange.req (Termination Out-of-Service)

MGW to MGC

Address Information	Control information	Bearer information
	Transaction ID = z Context ID = Contexts / Null / All Termination ID = Termination(s) Service Change Reason = Transmission failure / Termination malfunctioning / Loss of lower layer connectivity / Termination taken out of service Service Change Method = Graceful / Forced	

Delay is not used.

14.1.9 Termination restoration

This procedure is the same as described in the subclause "BIWF Service Restoration Indication" in ITU-T Recommendation Q.1950 (see 3GPP TS 29.205 [7][7]).

Address Information	Control information	Bearer information
	Transaction ID = z Context ID = Contexts / Null / All Termination ID = Termination(s) Service Change Reason = Service Restored Service Change Method = Restart	

14.1.10 Audit value

This procedure is the same as described in the subclause "Audit Values" in ITU-T Recommendation Q.1950 (see 3GPP TS 29.205 [7]~~[7]~~).

14.1.11 Audit capability

This procedure is the same as described in the subclause "Audit Capabilities" in ITU-T Recommendation Q.1950 (see 3GPP TS 29.205 [7]~~[7]~~).

14.1.12 MGW capability update

This procedure is the same as described in the subclause "BIWF Capability Change" in ITU-T Recommendation Q.1950 (see 3GPP TS 29.205 [7]~~[7]~~).

14.1.13 (G)MSC Out of Service

This procedure is the same as that described in the subclause "CCU Initiated Service Cancellation" in ITU-T Recommendation Q.1950 (see 3GPP TS 29.205 [7]~~[7]~~).

14.2 Call related H.248 transactions

Table 3 shows the relationship between each call-related procedure in ITU-T Recommendation Q.1950 (see 3GPP TS 29.205 [7]~~[7]~~) and the corresponding stage 2 procedure defined in 3GPP TS 23.205 [2]~~[2]~~.

Table 3: Correspondence between Q.1950 call-related transactions and 3GPP TS 23.205 and 23.153 procedures

Transaction used in Q.1950	Procedure defined in 3GPP TS 23.205 [2][2] and 23.153 [1][4]	Comments
Change_Topology	Change Flow Direction	
Join	Join Bearer Terminations	
Isolate	Isolate Bearer Terminations	
Establish_BNC_notify+(tunnel)	Establish Bearer	
Prepare_BNC_notify+(tunnel)	Prepare Bearer	
Cut_Through	Change Through-Connection	
Not defined in Q.1950	Activate Interworking Function	
Cut_BNC (include several procedures).	Release Bearer (Release Bearer and Release termination)	
BNC Established	Bearer Established	
BNC Release	Bearer Released	
Insert_Tone	Send Tone	
Insert_Announcement	Play Announcement	
Signal Completion	Announcement Completed	
Detected_Digit	Detect DTMF	
Insert_Digit	Send DTMF	
Detect digit(BIWF)	Report DTMF	
Confirm_char	Confirm char	
Modify_Char	Modify char	
Reserve_Char	Reserve char	
BNC Modified	Bearer modified	
Echo canceller	Activate Voice Processing Function	
BNC connected	[Editors note: No definition yet]	
BNC modification failed	Bearer modified failed	
Tunnel (MGC-MGW)	Tunnel information down	
Tunnel (MGW-MGC)	Tunnel information up	
Insert tone	Stop tone	
Insert announcement	Stop announcement	
Detect digits	Stop DTMF detection	
Insert digit	Stop DTMF	
Insert tone	Tone completed	
Not defined	Reserve circuit	
Not defined	Command rejected	
Not defined	TFO activation	
Not defined	Codec_modify	
Not defined	Optimal codec and distant list_notify	
Not defined	Distant codec list	
Modify char	Modify bearer characteristics	
Not defined	IWF Protocol Indication	

NOTE: A procedure defined in table 3 can be combined with another procedure in the same action. This means that they can share the same contextID and termination ID(s).

14.2.1 Change flow direction

This procedure is the same as that defined in the subclause "Change Connection Topology" in ITU-T Recommendation Q.1950 (see 3GPP TS 29.205 [7][7]) with the following additions.

Address Information	Control information	Bearer information
	Context ID = c1,? Connection Configuration = (TerminationID= x1, ? TerminationID=x2,? [type = x]),...	

14.2.2 Isolate bearer terminations

This procedure is the same as that defined in the subclause "Isolate" in ITU-T Recommendation Q.1950 (see 3GPP TS 29.205 [7147]).

14.2.3 Join bearer terminations

This procedure is the same as that defined in the subclause "Join" in Q.1950 (see 3GPP TS 29.205 [7147]).

14.2.4 Establish bearer

This procedure is the same as that defined in the subclause "Establish BNC_notify" in ITU-T Recommendation Q.1950 (see 3GPP TS 29.205 [7147]) with additions as shown below.

Address Information	Control information	Bearer information
	UP mode = Mode UP version = version Delivery of erroneous SDUs = value Interface = interface Initdirrection = initdirection If indication on Protocol Negotiation Result requested: NotificationRequested (Event ID = x, "Prot Negotiation Result") If indication on Rate Change requested: NotificationRequested (Event ID = x, "RateChange")	PLMN bearer capability = PLMN capability GSM channel coding = coding

The parameter logical port is not used.

14.2.5 Prepare Bearer

This procedure is the same as that defined in the subclause "Prepare_BNC_notify" in ITU-T Recommendation Q.1950 (see 3GPP TS 29.205 [7147]) with additions as shown below:

Address Information	Control information	Bearer information
	UP mode = mode UP version = version Delivery of erroneous SDUs = value Interface = interface Initdirrection = initdirection If indication on Protocol Negotiation Result requested: NotificationRequested (Event ID = x, "Prot Negotiation Result") If indication on Rate Change requested: NotificationRequested (Event ID = x, "RateChange")	PLMN bearer capability = PLMN capability GSM channel coding = coding

The parameter logical port is not used.

14.2.6 Change through connection

This procedure is the same as that defined in the subclause "Cut through" in ITU-T Recommendation Q.1950 (see 3GPP TS 29.205 [7][7]) with the following clarification and deletion.

The BIWF controlled cut through, as defined in the subclause "Cut Through" - "BIWF controlled" in ITU-T Recommendation Q.1950 (see 3GPP TS 29.205 [7][7]), is used as well as the MGC controlled cut through for the change through connection procedure.

NotificationRequested = (Event ID = x, "Cut Through") is deleted.

14.2.7 Activate interworking function

When the procedure "Activate Interworking function" is required the following procedure is initiated:

The MGC sends a MOD.req command with the following information.

1 MOD.req (Activate Interworking function)

MGC to MGW

Address Information	Control information	Bearer information
	Transaction ID = z Context ID = c1 Termination ID = bearer1 Signal=actpro If indication on Protocol Negotiation Result requested: NotificationRequested (Event ID = x, "Prot Negotiation Result") If indication on Rate Change requested: NotificationRequested (Event ID = x, "RateChange")	

When the processing of command (1) is complete, the MGW initiates the following procedure.

2 MOD.resp (Activate Interworking function)

MGW to MGC

Address Information	Control information	Bearer information
	Transaction ID = z Context ID = c1 TerminationID = bearer1	

14.2.8 Release procedures

This subclause includes a number of procedures.

14.2.8.1 Release bearer

This procedure is the same as that defined in the subclause "Cut_BNC" in ITU-T Recommendation Q.1950 (see 3GPP TS 29.205 [7][7]) including the Modify command in the transaction.

14.2.8.2 Release termination

This procedure is the same as that defined in the subclause "Cut_BNC" in ITU-T Recommendation Q.1950 (see 3GPP TS 29.205 [7][7]) including a Subtract command in the transaction.

NOTE: Release bearer and release termination should be sent in the same transaction.

14.2.9 Bearer released

This procedure is the same as that defined in the subclause "BNC Release" in ITU-T Recommendation Q.1950 (see 3GPP TS 29.205 [7][7]).

14.2.10 Bearer established

This procedure is the same as that defined in the subclause "BNC Established" in ITU-T Recommendation Q.1950 (see 3GPP TS 29.205 [7][7]).

14.2.11 Send tone

This procedure is the same as that defined in the subclause "Media Content Insertion" - "Insert Tone" in ITU-T Recommendation Q.1950 (see 3GPP TS 29.205 [7][7]) with the following additions.

Address Information	Control information	Bearer information
	If CAMEL Prepaid Warning Tone Signal = warning tone	

14.2.12 Play announcement

This procedure is the same as that defined in the subclause "Media Content Insertion" - "Insert Announcement" in ITU-T Recommendation Q.1950 (see 3GPP TS 29.205 [7][7]).

14.2.13 Send DTMF

This procedure is the same as that defined in the subclause "Media Content Insertion" - "Insert Digit" in ITU-T Recommendation Q.1950 (see 3GPP TS 29.205 [7][7]).

14.2.14 Detect DTMF

This procedure is the same as that defined in the subclause "Media Content Detection" - "Detect Digit" in ITU-T Recommendation Q.1950 (see 3GPP TS 29.205 [7][7]).

14.2.15 Report DTMF

This procedure is the same as that defined in the subclause "Detected Digit" in ITU-T Recommendation Q.1950 (see 3GPP TS 29.205 [7][7]).

14.2.16 Announcement completed

This procedure is the same as that defined in the subclause "Signal.Completion" in ITU-T Recommendation Q.1950 (see 3GPP TS 29.205 [7][7]).

14.2.17 Activate voice processing function

When the procedure "Activate Voice Processing Function" (VPF) is required the following procedure is initiated:

The MGC sends an ADD.req, MOD.req or MOV.req command with the following information.

- 1 ADD.req/MOD.req/MOV.req (... , Activate Voice Processing Function) MGC to MGW

Address Information	Control information	Bearer information
	Transaction ID = z Context ID = c1 Termination ID = bearer1 VPF Type ActivateVPF = off / value	

When the MGW receives the command, it shall associate the relevant voice processing function resources with the specified termination.

When the processing of command (1) is complete, the MGW may initiate the "Voice Processing Function Ack" procedure.

2 ADD.resp/MOD.resp/MOV.resp (Voice Processing Function Ack) MGW to MGC

Address Information	Control information	Bearer information
	Transaction ID = z Context ID = c1 Termination ID = bearer1	

14.2.18 Reserve circuit

This procedure is activated when the "Reserve Circuit" procedure is initiated.

An ADD.req, MOD.req or MOV.req command is sent with the following information.

1 ADD.req/MOD.req/MOV.req (Reserve_Circuit) CSM to BIWF

Address Information	Control information	Bearer information
	Transaction ID = z Termination ID = bearer1 <u>Context Requested:</u> Context ID = ? <u>Context Provided:</u> Context ID = c1 If indication on Protocol Negotiation Result requested: NotificationRequested (Event ID = x, "Prot Negotiation Result") If indication on Rate Change requested: NotificationRequested (Event ID = x, "RateChange")	Bearer Service Characteristics If data call PLMN capabilities GSM channel coding = coding

Upon completion of processing command (1) an ADD.resp, MOD.resp or MOV.resp command (2) is sent.

2 ADD.resp/MOD.resp/MOV.resp BIWF to CSM

Address Information	Control information	Bearer information
	Transaction ID = z Context ID = c1 TerminationID = bearer1	

14.2.19 Tunnel information up

This procedure is the same as that defined in the subclause "Tunnel" in ITU-T Recommendation Q.1950 (see 3GPP TS 29.205 [\[7\]\[7\]](#)).

NOTE: This procedure is always initiated from the MGW.

14.2.20 Tunnel information down

This procedure is the same as that defined in the subclause "Tunnel" in ITU-T Recommendation Q.1950 (see 3GPP TS 29.205 [7]#7).

NOTE: This procedure is always initiated from the MGC.

14.2.21 Tone completed

This procedure is the same as that defined in the subclause "Signal.Completion" in ITU-T Recommendation Q.1950 (see 3GPP TS 29.205 [7]#7).

14.2.22 Stop announcement

This procedure is the same as that defined in the subclause "Insert Announcement" in ITU-T Recommendation Q.1950 (see 3GPP TS 29.205 [7]#7) with the following clarification. The signal descriptor shall not include any signal.

14.2.23 Stop tone

This procedure is the same as that defined in the subclause "Insert Tone" in ITU-T Recommendation Q.1950 (see 3GPP TS 29.205 [7]#7) with the following clarification. The signal descriptor shall not include any signal.

14.2.24 Stop DTMF detection

This procedure is the same as that defined in the subclause "Detect Digit" in ITU-T Recommendation Q.1950 (see 3GPP TS 29.205 [7]#7) with the following clarification. The eventDescriptor shall not include any event.

14.2.25 Stop DTMF

This procedure is the same as that defined in the subclause "Media Content Insertion" - "Insert Digit" in ITU-T Recommendation Q.1950 (see 3GPP TS 29.205 [7]#7). The signal descriptor shall not include any signal.

14.2.26 Confirm char

This procedure is the same as that defined in the subclause "Confirm Char" in ITU-T Recommendation Q.1950 (see 3GPP TS 29.205 [7]#7).

14.2.27 Modify char

This procedure is the same as that defined in the subclause "Modify Char" in ITU-T Recommendation Q.1950 (see 3GPP TS 29.205 [7]#7).

14.2.28 Reserve char

This procedure is the same as that defined in the subclause "Reserve Char" in ITU-T Recommendation Q.1950 (see 3GPP TS 29.205 [7]#7).

14.2.29 Bearer modified

This procedure is the same as that defined in the subclause "BNC modified" in ITU-T Recommendation Q.1950 (see 3GPP TS 29.205 [7]#7).

14.2.30 Bearer modification failed

This procedure is the same as that defined in the subclause "BNC modification failed" in ITU-T Recommendation Q.1950 (see 3GPP TS 29.205 [7]#7).

14.2.31 TFO Activation

When the procedure "TFO activation" is required the following procedure is initiated:

The MGC sends a MOD.req command with the following information.

1 MOD.req (TFO activation)

MGC to MGW

Address Information	Control information	Bearer information
	Transaction ID = z Context ID = c1 Termination ID = bearer1 Tfoenable = Off / value	

When the processing of command (1) is complete, the MGW initiates the following procedure.

2 MOD.resp (TFO activation)

MGW to MGC

Address Information	Control information	Bearer information
	Transaction ID = z Context ID = c1 TerminationID=bearer1	

14.2.32 Optimal codec and distant list_notify

When the procedure "Optimal codec and distant list" is required the following procedure is initiated:

The MGC sends a MOD.req command with the following information.

1 MOD.req (Codec modify and distant list)

MGC to MGW

Address Information	Control information	Bearer information
	Transaction ID = z Context ID = c1 Termination ID = bearer1 Property= codeclist NotificationRequested (Event ID = x, "Codec modify") NotificationRequested (Event ID = x, "Distant List")	

When the processing of command (1) is complete, the MGW initiates the following procedure.

2 MOD.resp (Optimal codec and codec list)

MGW to MGC

Address Information	Control information	Bearer information
	Transaction ID = z Context ID = c1 TerminationID= bearer1	

14.2.33 Codec modify

When the procedure "Codec modify" is required the following procedure is initiated:

The MGW sends a NOT.req command with the following information.

1 NOT.req (Codec modify)

MGW to MGC

Address Information	Control information	Bearer information
	Transaction ID = z Context ID = c1 Termination ID = bearer1 Event_ID (Event ID = x, "Optimal codec")	

When the processing of command (1) is complete, the MGW initiates the following procedure.

- 2 NOT.resp (Codec modify) MGC to MGW

Address Information	Control information	Bearer information
	Transaction ID = z Context ID = c1 Termination ID = bearer1	

14.2.34 Distant codec list

When the procedure "Distant codec list" is required the following procedure is initiated:

The MGW sends a NOT.req command with the following information.

- 1 NOT.req (Distant codec list) MGW to MGC

Address Information	Control information	Bearer information
	Transaction ID = z Context ID = c1 Termination ID = bearer1 Event_ID (Event ID = x, "Distant list")	

When the processing of command (1) is complete, the MGW initiates the following procedure.

- 2 NOT.resp (Distant codec list) MGC to MGW

Address Information	Control information	Bearer information
	Transaction ID = z Context ID = c1 Termination ID = bearer1	

14.2.35 Command rejected

When the procedure "Command rejected" is required the following procedure is initiated:

The MGW/MGC sends .resp to any command req. with the following information.

- 1 ANYcommand.resp (command rejected) MGW/MGC to MGC/MGW

Address Information	Control information	Bearer information
	Transaction ID = z Context ID = c1 or no context Reason=Error	

14.2.36 Modify bearer characteristics

This procedure is the same as that defined in the subclause "Modify Char" in ITU-T Recommendation Q.1950 (see 3GPP TS 29.205 [7][7]) with additions as shown below.

Address Information	Control information	Bearer information
	If framing protocol used: UP mode = mode UPversion =version Delivery of erroneous SDUs=value Interface=interface Initdirerection=initdirection If indication on Protocol Negotiation Result requested: NotificationRequested (Event ID = x, "Prot Negotiation Result") If indication on Rate Change requested: NotificationRequested (Event ID = x, "RateChange")	If data call: PLMN bearer capbility = PLMN capability GSM channel coding=coding

14.2.37 Protocol negotiation result

When the procedure "Protocol negotiation result" is required the following procedure is initiated:

The MGW sends a NOT.req command with the following information.

- 1 NOT.req (Protocol negotiation result)

MGW to MGC

Address Information	Control information	Bearer information
	Transaction ID = z Context ID = c1 Termination ID = bearer1 Event_ID (Event ID = x, "Result", "Cause")	

When the processing of command (1) is complete, the MGW initiates the following procedure.

- 2 NOT.resp (Protocol negotiation result)

MGC to MGW

Address Information	Control information	Bearer information
	Transaction ID = z Context ID = c1 Termination ID = bearer1	

14.2.38 Rate change

When the procedure "Rate change" is required the following procedure is initiated:

The MGW sends a NOT.req command with the following information.

- 1 NOT.req (Rate change)

MGW to MGC

Address Information	Control information	Bearer information
	Transaction ID = z Context ID = c1 Termination ID = bearer1 Event_ID (Event ID = x, "Rate")	

When the processing of command (1) is complete, the MGW initiates the following procedure.

2 NOT.resp (Rate change)

MGC to MGW

Address Information	Control information	Bearer information
	Transaction ID = z Context ID = c1 Termination ID = bearer1	

15 UMTS packages

15.1 Mandatory UMTS packages

The following packages are required for the UMTS Bearer Independent Circuit-Switched Core Network:

- 3GUP (User Plane) package (see subclause 15.1.1);
- Circuit Switched Data package (see subclause 15.1.2);
- TFO package (see subclause 15.1.3).

15.1.1 3GUP package.

PackageID: 3gup (0x####)

[Editor's note: PackageID to be allocated by IANA]

Version: 1

Extends: None

This package identifies that the User Plane package is used for the termination. It also contains some parameters for the User Plane functions in the MGW.

The UP Protocol operates independently of the stream mode property, i.e. UP PDUs can be transported between UP peers, irrespective of the stream mode direction.

15.1.1.1 Properties

UP Mode of operation:

PropertyID: mode (0x0001)

Description: Defines the mode of operation of the User Plane functions , for further definitions see 3GPP TS 25.415 [\[4\]\[4\]](#) and 29.415 [\[8\]\[8\]](#).

Type: Enumeration

Possible Values:

"Trans" (0x0001) Transparent mode

"Supp" (0x0002) Support mode for predefined SDU sizes

Default: "Trans" (0x0001) Transparent mode

Defined in: Local Control descriptor

Characteristics: Read/Write

UP versions:

PropertyID: upversions (0x0002)

Description: Defines the versions of the UP mode of operation which is used.

Type: Sub-list

Possible Values:

{1,..., 16}

Default: {1}

Defined in: Local Control descriptor

Characteristics: Read/Write

Delivery of erroneous SDUs:

PropertyID: delerrsd (0x0003)

Description:

Indicates how erroneous SDUs should be handled. If it is set to YES then the UP entity implements error checking and sets Frame Quality Classification (FQC) bits accordingly; bad frames are delivered to the UP layer. If it is set to NO then the UP entity performs error checking and if a bad frame is detected then it is discarded. These settings are required only when the payload is to be examined by upper layer services. If it is set to NA then no checking is performed.

Type: Enumeration

Possible Values:

"Yes" (0x0001) Yes

"No" (0x0002) No

"NA" (0x0003) Not Applicable

Default: "NA" (0x0003) Not Applicable

Defined in: Local Control descriptor

Characteristics: Read/Write

Interface:

PropertyID: interface (0x0004)

Description: Indicates the type of interface on which the termination is used.

Type: Enumeration

Possible Values:

"RAN" (0x0001) Iu interface

"CN" (0x0002) Nb interface

Defined in: Local Control descriptor

Characteristics: Read/Write

Initialisation Direction

PropertyID: initdir (0x0005)

Description:

Indicates whether or not the termination in the MGW should expect Initialisation information, or initiate UP itself. For the Nb interface:

- If Initialisation Direction is set to Incoming then the UP entity shall expect to receive an initialisation from an external UP peer or from an internal UP entity.
- If Initialisation Direction is set to outgoing then the UP entity shall generate an initialisation procedure.

For the Iu interface:

- If Initialisation Direction is set to incoming then the initialisation received at this termination is from the originating RAN and can be forwarded internally to other terminations for subsequent UP initialisations.
- If Initialisation Direction is set to outgoing then initialisations received are from the terminating RAN and cannot be forwarded internally. RFCI value correction can be performed at this termination, and initialisations can be sent out to the RAN.

Type: Enumeration

Possible Values:

"In" (0x0001) Incoming

"Out" (0x0002) Outgoing

Defined in: Local Control descriptor

Characteristics: Read/Write

15.1.1.2 Events

None

15.1.1.3 Signals

None

15.1.1.4 Statistics

None

15.1.1.5 Procedures

The MGC uses this package to indicate to the MGW that the Iu (or Nb) User Plane is used between the RNC (or distant MGW) and the MGW. The package is sent in the Establish bearer and Prepare bearer procedures. For more information on the User Plane and for a description of 'UP mode of operation', 'UP versions' and 'Delivery of erroneous SDUs' see 3GPP TS 25.415 [\[4\]\[4\]](#).

The following procedures are valid for UP in Support Mode:

- TheMGW shall be able to initiate and respond to the UP control procedures (PDU type 14 frames) independently of the Stream Mode during the call establishment phase, i.e. when not in TrFO.
- Otherwise, during TrFO the MGW shall be able to forward UP control procedures (PDU type 14 frames) received at one termination to the other termination.
- The UP Initialisation procedure is always acknowledged between MGW peers. If an MGW receives a request for a notification for the bearer establishment then the MGW shall not send the notification until after it has sent the acknowledgement for the UP initialisation.
- The MGW shall always store RFCI parameters against the MGW termination which received the UP initialisation.
- If an MGW has the UP termination property Initialisation Direction = Incoming then it expects to receive an Initialisation (either internally or externally).

- If an MGW has UP termination property Initialisation Direction = Outgoing and interface CN, then it generates a network originated Initialisation PDU.
- If an MGW has UP termination property Initialisation Direction = Outgoing and interface RAN, then it expects to receive an Initialisation externally. It shall not pass the initialisation parameters internally. It may initiate RFCI Value Correction out from this termination.
- If an MGW has two terminations in the same context defined as supporting the UP package and with Initialisation Direction incoming, then when it receives an Initialisation procedure from one side (provided the bearer connection from the other termination to its peer MGW is established) it shall start the UP initialisation procedure towards the peer MGW. The MGW shall perform this procedure independently of the through-connection of the terminations in the context. The MGW shall relay control information from the first initialisation to the UP peer for use at the subsequent initialisation. Also, subsequent control procedures received on one UP shall be relayed to the other UP entity when the two UP entities are connected within the MGW. This behaviour is termed as a "UP Relay Function"; it is described in more detail in Annex A.
- If an MGW has one termination with interface = Iu and initialisation direction outgoing and another termination with 3G UP property (initialisation direction Incoming) in the same context, then the MGW shall not forward the UP initialisation from the Incoming termination until it has received a UP initialisation at the Iu/Outgoing side. If the RFCI values stored at the Nb termination do not match the RFCI values stored at the Iu side then "RFCI Value Correction" may be performed to the Iu side: the MGW starts UP initialisation with the RFCI values 'relayed' from the Incoming side. No "RFCI Value Correction" is permitted at the Nb side.
- As an implementation option, "RFCI Value Correction" may be delayed if terminations are not through-connected; it will be triggered by connection modification. Otherwise it shall be performed immediately
- If "RFCI Value Correction" is not performed the MGW "UP Relay Function" shall map the indexes for frames from one side to the RFCI indexes for frames from the other side.
- If an MGW has two Iu terminations connected to the same context then the "RFCI Value Correction" is performed by the Outgoing termination.
- If an MGW has two terminations which support the UP package connected to the same context and both RFCI sets match then the MGW may pass frames transparently through the UP entities; no monitoring of the frames is performed, provided that the terminations are through-connected. The "UP Relay Function" may then also be bypassed.
- If the MGW is passing frames transparently, no UP monitoring is performed. When the MGW receives an H.248 procedure request which requires interpretation or interaction with the UP, then it shall resume its UP protocol responsibilities, i.e. perform monitoring or termination of the UP protocol.

15.1.2 Circuit Switched Data package

PackageID: 3gcsd (0x####)

[Editor's note: PackageID to be allocated by IANA]

Version: 1

Extends: None

This package contains the information needed to be able to support GSM and UMTS Circuit Switched Data from the media gateway.

15.1.2.1 Properties

PLMN BC

PropertyID: plmnb (0x0001)

Description: The PLMN Bearer Capability.

Type: Octet string

Possible values:

Specified in the subclause "Bearer capability" in 3GPP TS 24.008 [3][3].

Defined in: Local Control Descriptor

Characteristics: Read/Write

GSM channel coding

PropertyID: gsmchancod (0x0002)

Description: Channel information needed for GSM.

Type: Octet string

Possible values:

The second octet of Chosen Channel as specified in the subclause "Chosen Channel" in 3GPP TS 48.008 [9][9].

Defined in: Local Control Descriptor

Characteristics: Read/Write

15.1.2.2 Events

Protocol Negotiation Result

EventID: protres (0x0001)

Description: This event is used to report the result of the protocol negotiation.

EventsDescriptor Parameters: None

ObservedEventsDescriptor Parameters:

Negotiation Result

ParameterID: result (0x0001)

Description: reports whether the protocol negotiation has been successful.

Type: Enumeration

Possible Values:

"Success" (0x0001): the protocol negotiation on the termination has been successful,

"Failure" (0x0000): the protocol negotiation on the termination has failed.

Possible Failure Cause

ParameterID: cause (0x0002)

Description: indicates the possible failure cause

Type: Enumeration

Possible Values:

"Unsp" (0x0001): the protocol negotiation has failed for an unspecified reason,

"V8V34" (0x0002): the V.8 or the V.34 protocol negotiation has failed (modem termination only).

Rate Change

EventID: ratechg (0x0002)

Description: This event is used to report a rate change.

EventsDescriptor Parameters: None

ObservedEventsDescriptor Parameters:

New Rate

ParameterId: rate (0x0001)

Description: reports the new rate for the termination.

Type: Integer.

Possible Values:

transmission rate in bits per second, rounded to the nearest integer value. The value must be a valid bitrate (e.g. 33 600, 28 800).

15.1.2.3 Signals

Activate Protocol

SignalID: actprot (0x0001)

Description: Activate the higher layer protocol.

Signal type: Brief

Duration: N/A

Additional parameter:

Local Peer Role

ParameterID: localpeer (0x0001)

Type: Enumeration

Possible values:

"Orig" (0x0000): originating

"Term" (0x0001): terminating

Description:

This parameter is optional, but is required for modem and fax calls. It is used to inform the modem whether it should act as originating or terminating peer.

15.1.2.4 Statistics

None

15.1.2.5 Procedures

This package is used to set up data calls within the CS domain. For more information on the IWF, refer to 3GPP TS 29.007 [\[6\]††](#).

When the Media Gateway Controller initiates the "Establish Bearer" procedure, the "Prepare Bearer" procedure, the "Modify Bearer" procedure or the "Reserve Circuit" procedure, it shall provide the PLMN BC ("plmnc" property above) for the termination on the mobile side and the ISDN BC (standard H.248 properties, chapter "Bearer Capabilities") for the termination on the fixed side. For a mobile-to-mobile call, it shall provide the PLMN BC on both terminations.

The presence of the PLMN BC property may trigger the use of the IWF.

Once the bearer has been established, after B-answer, the "Activate Interworking Function" procedure is used to activate the IWF. The Activate Protocol signal ("actprot") will start the negotiation of the layer 2 protocols on both sides. If a modem or fax service is requested, the signal shall contain the Local Peer Role parameter ("localpeer"), to tell the modem whether it should act as originating or terminating peer.

NOTE: The Activate Protocol signal is needed only after B-answer as described above, to activate the protocol timers at the correct time. This is the only time when this signal is needed (specifically, the signal is not used after a handover sequence or for lawful interception).

The IWF Protocol Indication notifications are used by the MGW to inform the MSC server about IWF protocol events. The MSC has to request the detection of the events "Protocol Negotiation Result" and "Rate Change" in the "Activate IWF" procedure, the "Establish Bearer" procedure, the "Prepare Bearer" procedure, the "Modify Bearer" procedure or the "Reserve Circuit" procedure.

For handover to GSM, or change of channel characteristics within the GSM network, the property GSM Channel Coding ("gsmchancod"), which contains the information about the channel type and the number of channels, shall be transmitted to the termination on the mobile side in the "Establish Bearer", the "Prepare Bearer" and the "Reserve Circuit" procedures together with the PLMN BC. The presence of the GSM Channel Coding property also indicates that the termination is using a GSM access network.

15.1.3 TFO package

The addition of text encoding for the TFO codec list is for further study.

PackageID: 3gtfoc (0x####)

[Editor's note: PackageID to be allocated by IANA]

Version: 1

Extends: None

This package defines events and properties for Tandem Free Operation (TFO) control. TFO uses inband signalling and procedures for Transcoders to enable compressed speech to be maintained between a tandem pair of transcoders. This package allows an MGW which has inserted a transcoder to support TFO.

15.1.3.1 Properties

TFO Activity Control

PropertyID: tfoenable (0x0001)

Description: Defines if TFO is enabled or not.

Type: Enumeration

Possible Values:

"On" (0x0001): TFO is enabled, TFO protocol is supported

"Off" (0x0002): TFO is not enabled, TFO protocol is not initiated or terminated

Defined in: Local Control descriptor

Characteristics: Read/Write

TFO Codec List

PropertyID: codeclist (0x0002)

Description: List of codecs for use in TFO protocol, the active codec is always the first entry in the list.

Type: Octet string

Possible Values:

List of codec types; each entry:

As defined in Q.765.5 (see 3GPP TS 29.205 [7][7]-[11]), or

As defined by an appropriate regional standards development organisation, identified by an Organisational Identifier in Q.765.5 (see 3GPP TS 29.205 [7][7]-[11]).

Defined in: Local Control descriptor

Characteristics: Read/Write

15.1.3.2 Events

Optimal Codec Event

EventID: codec_modify (0x0010)

Description:

The event is used to notify the MGC that TFO negotiation has resulted in an optimal codec type being proposed.

EventsDescriptor Parameters: None

ObservedEventsDescriptor Parameters:

Optimal Codec Type

ParameterID: optimalcodec (0x0011)

Description: indicates which is the proposed codec type for TFO

Type: Octet string

Possible Values:

Codec Type:

As defined in Q.765.5 (see 3GPP TS 29.205 [7][7]-[11]), or

As defined by an appropriate regional standards development organisation, identified by an Organisational Identifier in Q.765.5 (see 3GPP TS 29.205 [7][7]-[11]).

Codec List Event

EventID: distant_codec_list (0x0012)

Description: The event is used to notify the MGC of the distant TFO partner's supported codec list..

EventsDescriptor Parameters: None

ObservedEventsDescriptor Parameters:

Distant Codec List

ParameterID: distlist(0x0013)

Description: indicates the codec list for TFO

Type: Octet string

Possible Values:

List of codecs of type Codec Type:

As defined in Q.765.5 (see 3GPP TS 29.205 [7][7]-[11]), or

As defined by an appropriate regional standards development organisation, identified by an Organisational Identifier in Q.765.5 (see 3GPP TS 29.205 [7][7]).

The first Codec Type in the list is the one proposed for use (Optimal Codec Type).

15.1.3.3 Signals

None

15.1.3.4 Statistics

None

15.1.3.5 Procedures

For the procedures for TFO see 3GPP TS 28.062 [5][5].

The use of the properties in this package is applicable only when the MGW Termination to which the package properties are applied has the media stream property for Codec Type set to ITU-T G.711 (see Annex C of ITU-T Recommendation H.248). Furthermore, the package properties are applicable only if the Codec Type property of the media stream at the opposing MGW Termination is not set to ITU G.711.

15.1.4 3G Expanded Call Progress Tones Generator Package

PackageID: 3gxcg(0x####)

[Editor's note: PackageID to be allocated by IANA]

Version: 1

Extends: xcg version1

This package extends "Expanded Call Progress Tones Generator Package", as defined in ITU-T Recommendation Q.1950 (see 3GPP TS 29.205 [7][7]). The package adds a new toneId for CAMEL prepaid warning tone.

15.1.4.1 Properties

None

15.1.4.2 Events

None

15.1.4.3 Signals

CAMEL Prepaid Warning Tone

SignalID: cpwt (0x004f)

Description:

Generate CAMEL prepaid warning tone to inform the party that the Max Call Period Duration is about to expire. CAMEL prepaid warning tone is defined in TS 23.078. The physical characteristic of CAMEL prepaid warning tone is available in the gateway.

Signal type: Brief

Duration: Provisioned, Not Auditable

Additional parameters:

Tone Direction

ParameterID: td (0x0010)

Type: Enumeration

Values:

"Ext" (0x01): external,

"Int" (0x02): internal,

"Both" (0x03): Both

Default: "Ext"

15.1.4.4 Statistics

None

15.1.4.5 Procedures

None

15.2 Optional UMTS packages

Annex A (informative):

The Framing protocol Interworking Function (FIF)

A.1 Introduction

SDUs transmitted over an Iu or Nb interface and received at a MGW whose outgoing UP is also Iu or Nb shall be relayed to the outgoing UP MGW termination. When no interworking function or transcoder device is inserted by the MGW then SDUs and control procedures are passed between MGW terminations by the FIF. The FIF is the functional entity responsible for aligning or mapping control procedures (including RFCIs, frame numbers etc) on the separate UP interfaces according to the package procedures described in the main text. The FIF determines if PDUs can be relayed unmodified or if some mapping is required, by this the FIF determines if the two UP configurations are identical and thus the UP PDUs may be passed transparently.

The FIF becomes operational after the UP Initialisation procedure has been performed by at least one Termination in the MGW's Context. UP initialisations are not handled by the FIF, only receipt of the Subflow combinations and the RFCI allocations are received by the FIF for each UP Initialisation.

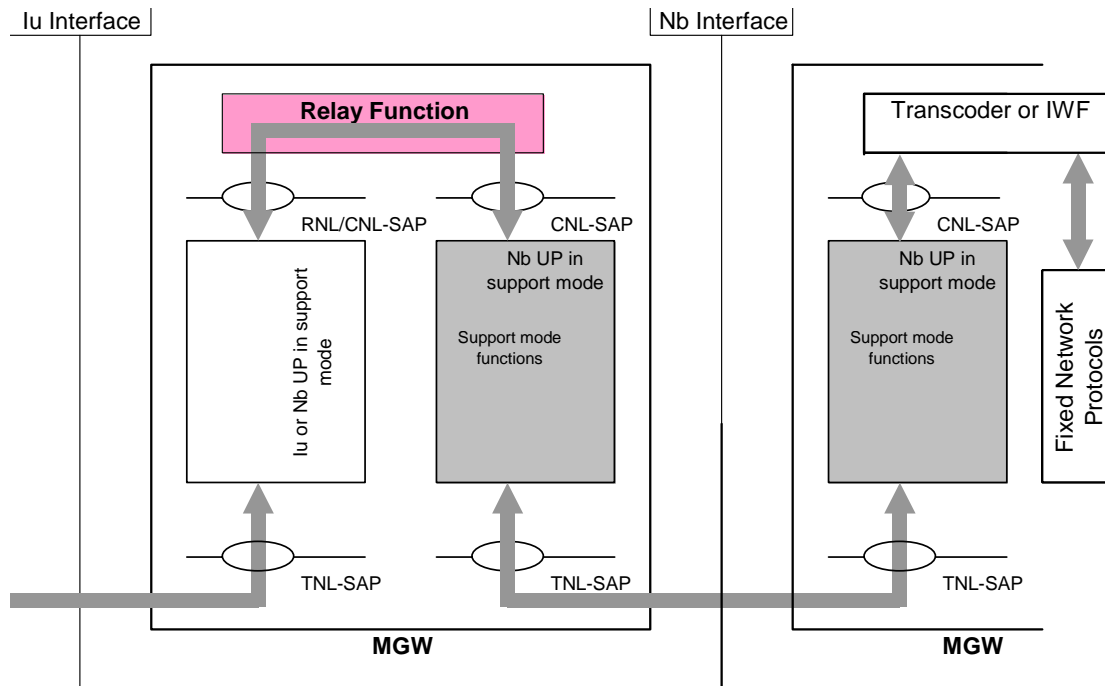


Figure A.1: The Relay Function in support mode

A.2 FIF procedures with respect to Iu framing protocol

This section handles relay of user data indicated to the Relay Function in a Nb- or Iu-UP-data-indication message and transmitted between peer UP layer entities in PDU types 0 and 1. The Relay Function passes this information to the UP layer on the sending side in a Nb- or Iu-UP-data-request message.

A.2.1 Payload

Received SDUs shall be forwarded unmodified to the next MGW. Note that if "delivery of erroneous SDUs" is set to 'no', faulty SDUs are already discarded by the Iu or Nb support mode functions and, hence, not delivered to the Relay Function.

A.2.2 RFCIs

If the RFCI values on the outgoing UP interface match those initialised on the incoming UP interface then the RFCI indicated by the lower layer (i.e., Iu or Nb) on the receiving side shall be forwarded unmodified to lower layer on the sending side.

If the RFCI sets on the outgoing UP interface do not match those initialised on the incoming UP interface then the FIF performs mapping between the RFCIs on each UP for the same initialised Subflow Combination.

The FIF is the entity that may perform the RFCI value correction procedure as described in the main text, after the procedure then relaying of the received RFCI shall be performed.

A.2.3 FQC

The FQC indicated by the lower layer (i.e., Iu or Nb) on the receiving side shall be forwarded unmodified to lower layer on the sending side.

A.2.4 Frame number

The frame number indicated by the lower layer (i.e., Iu or Nb) on the receiving side shall be forwarded unmodified to lower layer on the sending side.

A.3 Relay of status information

This section handles relay of status information indicated to the Relay Function in a Nb- or Iu-UP-status-indication message and transmitted between peer UP layer entities in PDU type 14. The Relay Function in general passes this information to the UP layer on the sending side.

A.3.1 Initialisation

Initialisation requests and acknowledgements are generated locally by the UP protocol entities and are not indicated to the upper layer. However the initialisation information shall be provided to the FIF in order to be relayed for use by the outgoing Termination.

A.3.2 Rate Control Frames

The FIF shall pass rate control request and rate control acknowledgement frames transparently between incoming UP interface and outgoing UP interface.

When a MGW reverts from TrFO break operation (for example during handover or relocation where the rate control procedures may have been operating independently between each UP interface) the FIF shall perform rate control procedures to each UP peer. It shall use the Maximum rate and Current rate settings from the opposite UP configurations. This is performed to align the UP's on each side of the MGW to enable relaying of all subsequent PDUs as described in above.

Optionally, the UP layer protocol entity on the sending side may substitute the frame number received in a status request by another number, but shall then substitute the initial number back in the status indication containing the acknowledgement. Figure 8 shows an example of the relay of the rate control procedure.

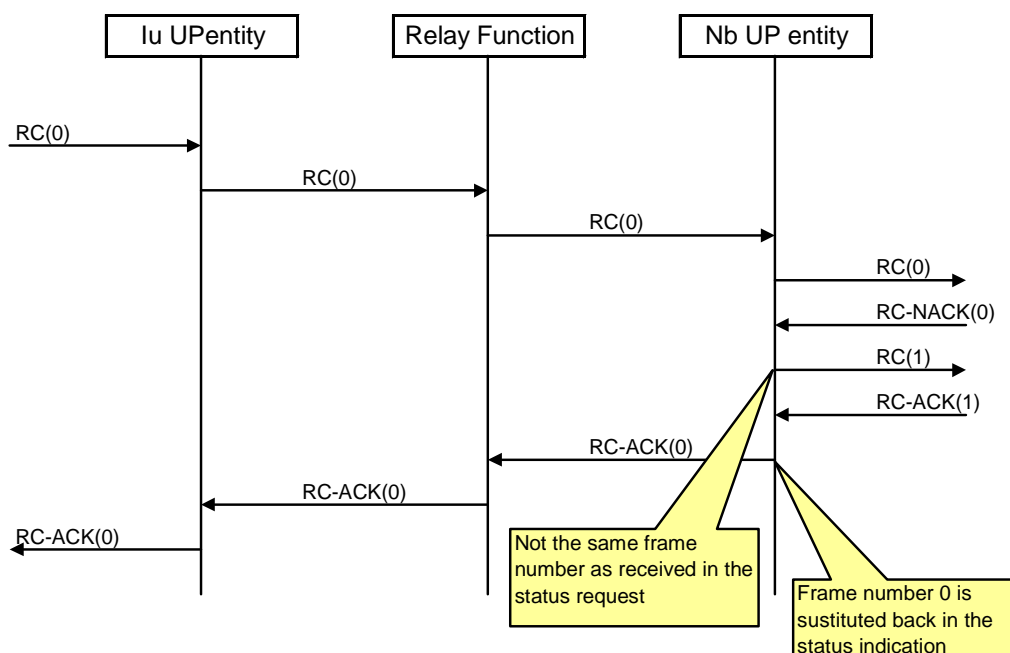


Figure A.2: Relay of a control procedure

A.3.2 Time Alignment

Time alignment frames shall be relayed unmodified.

History

Document history		
V0.0.1	September 2000	Initial draft created after N4#4 based on N4-000620
V0.1.0	October 2000	Updated after N4 R2000 Ad Hoc Stockholm based on N4-00823 and N4-000842
V0.2.0	November 2000	Reference for MTP 3B corrected; RFC reference for SCTP added
V0.3.0	November 2000	Updated according to N4-000996, N4-000998, N4-000999, N4-001000, N4-001021, N4-001028 & N4-001097 as agreed in CN4 #5
V1.0.0	November 2000	To TSG-CN Plenary #10 for information
V1.1.0	January 2001	Updated according to NJ-010069, NJ-010030, NJ-010098, NJ-010094, NJ-010033, NJ-010097, NJ-010095, NJ-010112 as agreed in the Joint CN3/CN4 Meeting held during the CN4#6
v1.1.1	January 2001	References ordered by specification/recommendation number; references to 3GPP specifications include full titles as shown on the title page; literal reference numbers and references to subclauses replaced with fields; all table cells outlined with 0.5pt lines; appropriate 3GPP paragraph styles applied.
v1.2.0	February 2001	Updated according to N4-010245, N4-010248, N4-010249, N4-010303, N4-010304, N4-010305, agreed in CN4 Release 4 ad hoc, Madrid. References to Q.1902.x replaced by references to 29.205; 3GPP styles applied consistently; form for ITU-T recommendations in text is now "ITU-T Recommendation A.NNNN".
v1.3.0	March 2001	Updated according to N4-010384, N4-010401 (part) & N4-010472, agreed in CN4 in Sophia Antipolis. References to Q.1950, Q.1970 and Q.1990 replaced by reference to 29.205. Reference to SIP-T deleted. Editor's note in 15.1.2.3 deleted. Editorial clean-up.
V2.0.0	March 2001	Sent to TSG CN#11 for approval
V2.1.0	March 2001	References updated after comments in TSG CN #11