



Discussion paper on exposure scenario

Alibaba, AsiaInfo

Rationale

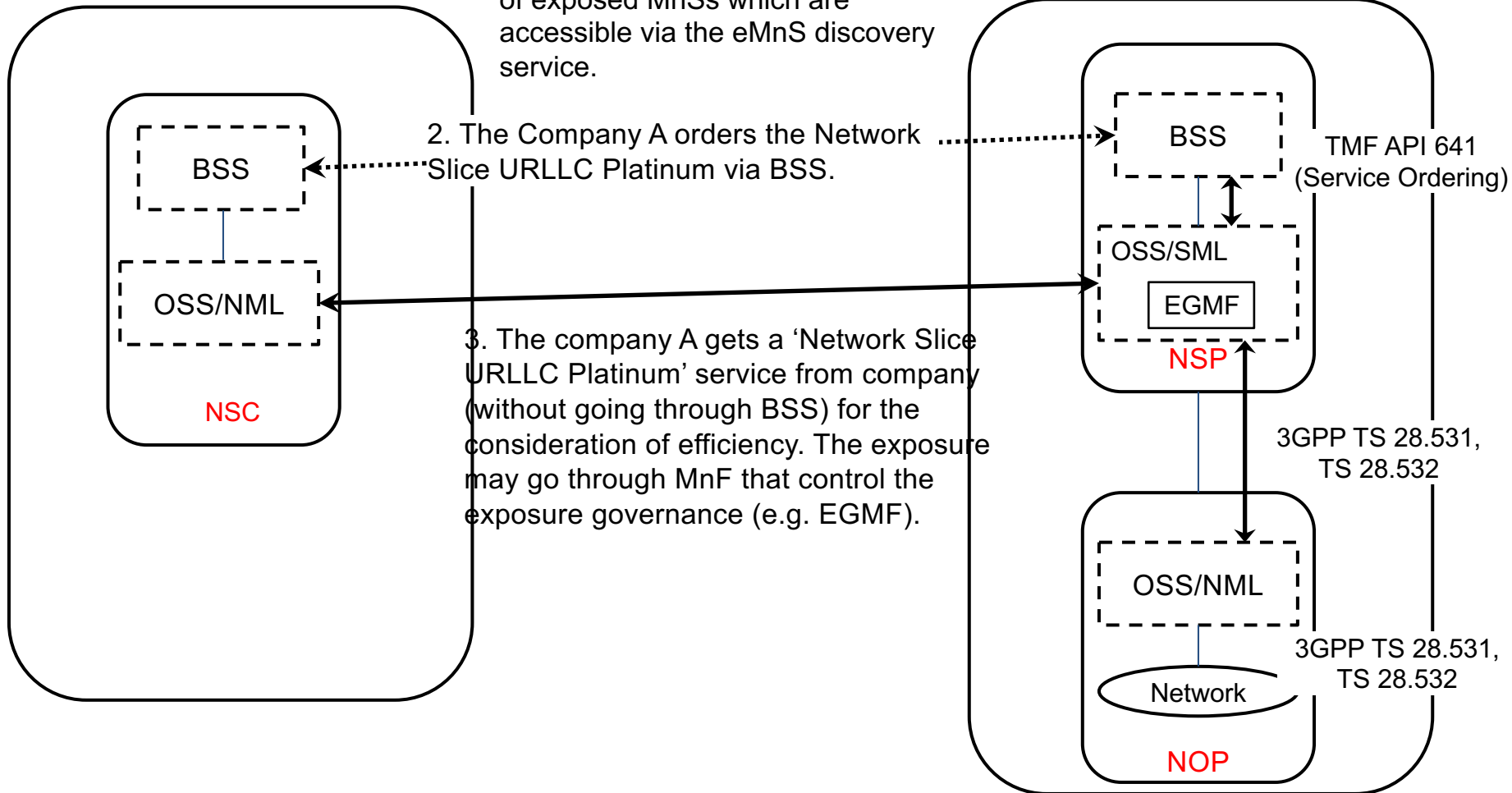


1. Whether exposure without going through BSS is still an open topic. And it seems that there are different views on this aspect.
2. This paper tries to summarize the use case related to exposure without going through BSS and also the possible functionalities of EGMF.

Scenario No. 1 Exposure without BSS - Example

ex: Company A which has a contract with Company B for the exposure directly via OSS

ex.: Company B (Operator)



Organizational scenario No. 2 (single organization in different regions) - Example

ex: Company A which has a contract with Company B for the exposure directly via OSS

ex.: Company B (Operator)

4. Company B needs RAN coverage in Spain

5. Company B chooses a product from Operator C Spain Product offerings.

6. Company B orders the product 'X' (TMF API 622 Product Ordering) or requests for the exposed MnS (directly from SML)

7. Company B SML can get access to the eMnS from Company C Spain directly via its SML.

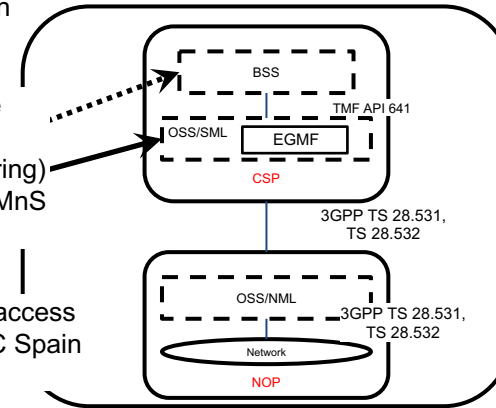
8. Company B needs RAN coverage in USA

9. Company B chooses a product from Company D USA Product offerings.

10. Company B orders the product 'Y' (e.g. Network Slice related exposure capabilities) (TMF API 622 Product Ordering) Or request for the exposed MnS (directly from SML)

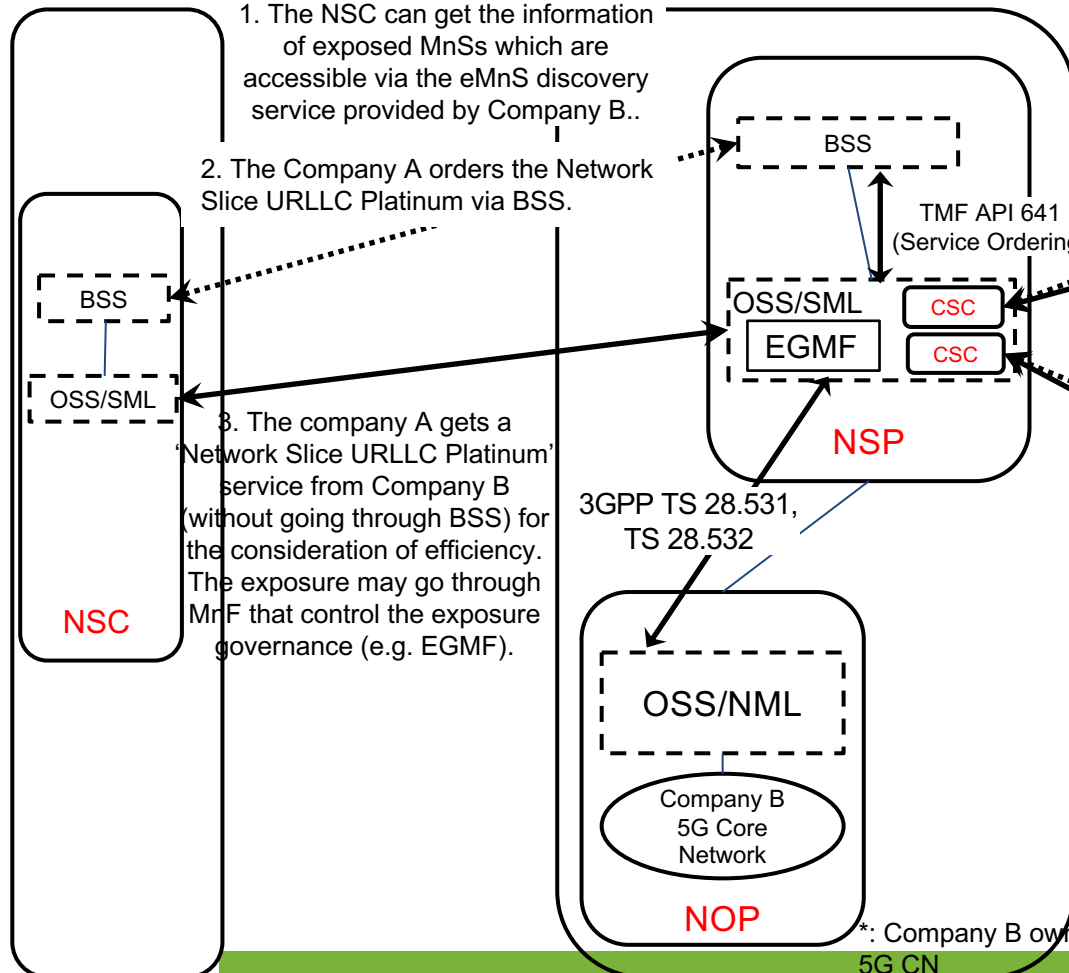
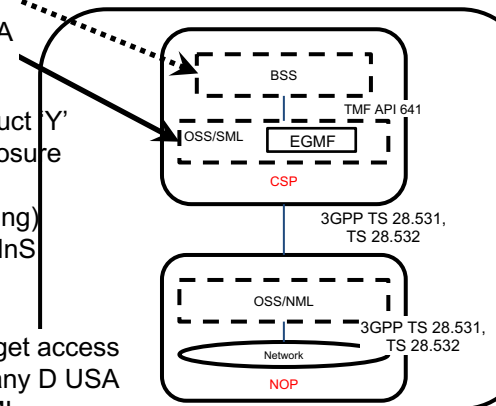
7. Company B SML can get access to the eMnS from Company D USA directly via its SML.

ex.: Company C Spain



CSC connecting to Operator C Spain and Operator D USA belongs to SML.

ex.: Company D USA



*: Company B owns its 5G CN

Summary



- If NSC has a contract with Operator for the exposure directly via OSS, it may be able to directly interact with the OSS/SML of the 3GPP management system and get access to the exposed MnS. The exposure may go through MnF that control the exposure governance (e.g. EGMF).

Thank you!