

Agenda Item:

Source: Editor

Title: 25.420 UTRAN I_{ur} Interface: General Aspects and Principles v0.1.1

Document for:

Find attached v0.1.1 of TS 25.420 'Iur Interface: General Aspects & Principles', incorporating the changes agreed at TSG RAN WG3#3 (Kawasaki). All changes are denoted by revision marks.

This document has been updated in-line with the editor's proposal presented at the previous meeting [re R3-99320], but revised according to decisions taken at the meeting:

- *Text added to 'Scope' (re chapter 1) with agreed modifications.*
- *Revised Iur interface protocol diagram included (re chapter 7) with modifications (reflecting decisions taken at meeting on RNSAP signalling bearer, ALCAP and removal of AAL5 in the user plane (which was originally FFS).*
- *Sub-sections referring to other related specifications included (re chapter 9).*
- *Relevant sections of S3.01 (v0.1.0) related to Iur cut & paste throughout specification.*

The following changes have also been made:

- *New chapter included, containing agreed principles for handling of Common Transport Channels (re chapter 8).*
- *Document status report included (re Annex A).*

TS 25.420 V0.1.1 (1999-05)

Technical Specification

**3rd Generation Partnership Project (3GPP);
Technical Specification Group (TSG) RAN;**

UTRAN I_{ur} Interface: General Aspects and Principles

UMTS <spec>

3GPP



Reference

<Workitem> (<Shortfilename>.PDF)

Keywords

<keyword[, keyword]>

3GPP

Postal address

Office address

Internet

secretariat@3gpp.org
Individual copies of this deliverable
can be downloaded from
<http://www.3gpp.org>

Copyright Notification

No part may be reproduced except as authorized by written permission.
The copyright and the foregoing restriction extend to reproduction in all media.

All rights reserved.

Contents

1	Scope	5
2	References	5
3	Definitions, symbols and abbreviations	5
3.1	Definitions.....	5
3.2	Symbols.....	5
3.3	Abbreviations	5
4	General Aspects.....	5
4.1	UTRAN Architecture	5
4.2	I _{ur} Interface General Principles	6
4.2.1	General	6
4.2.2	RNSAP Procedures	6
4.3	I _{ur} Interface Specification Objectives.....	7
4.3.1	General	7
4.3.2	Addressing of RNSs over the Iur Interface.....	7
4.4	I _{ur} Interface Capabilities.....	7
4.5	I _{ur} Interface Characteristics	8
5	Functions of the I _{ur} Interface Protocols	8
5.1	Functional List	8
5.2	Functional Split over Iur	9
5.2.1	Macro-diversity Combining/Splitting.....	9
5.2.2	Control of Macro-diversity Combining/Splitting Topology	9
5.2.3	Handling of DRNS Hardware Resources	9
5.2.4	Allocation of Downlink Channelisation Codes	9
5.2.5	UpLink Power Control	9
5.2.6	Down-Link Power Control	9
5.2.7	Admission Control.....	10
6	DRNS logical Model over Iur.....	10
6.1	Overview.....	10
6.2	Logical Model Elements	10
6.2.1	Radio Link.....	10
6.2.2	Cell.....	11
6.2.3	Iur DCH Data Port.....	11
6.2.4	Iur CCH Data Port.....	11
6.2.5	Iur Control Port	11
7	I _{ur} Interface Protocol Structure	12
8	Handling of Common Transport Channel Data Streams over Iur Interface.....	15
8.1	Basic Principles.....	15
9	Other I _{ur} Interface Specifications.....	16
9.1	UTRAN Iur Interface: Layer 1 (TS 25.421)	16
9.2	UTRAN Iur Interface: Signalling Transport (TS 25.422).....	16
9.3	UTRAN Iur Interface: RNSAP Specification (TS 25.423).....	16
9.4	UTRAN Iur Interface: Data Transport and Transport Signalling for Common Transport Channel Data Streams (TS 25.424)	16
9.5	UTRAN Iur Interface: User Plane Protocols for Common Transport Channel Data Streams (TS 25.425)	16
9.6	UTRAN Iur & Iub Interface: Data Transport and Transport Signalling for DCH Data Streams (TS 25.426).....	16
9.7	UTRAN Iur & Iub Interface: User Plane Protocols for DCH Data Streams (TS 25.427).....	16
10	Bibliography	17
11	History	23

Intellectual Property Rights

Foreword

This Technical Specification (TS) has been produced by the 3rd Generation Partnership Project (3GPP).

The contents of this TS are subject to continuing work within 3GPP and may change following formal TSG approval. Should the TSG modify the contents of this TS, it will be re-released with an identifying change of release date and an increase in version number as follows:

Version m.t.e

where:

- m indicates [major version number]
- x the second digit is incremented for all changes of substance, i.e. technical enhancements, corrections, updates, etc.
- y the third digit is incremented when editorial only changes have been incorporated into the specification.

Introduction

This clause is optional. If it exists, it is always the third unnumbered clause.

No text block identified

1 Scope

[Editor's note: The scope was proposed in Tdoc R3-99320 and agreed to be included subject to three changes (re highlighted text)]

The present document ~~is an introduction to the TSG RAN TS 25.42x S3.2x-series of UMTS Technical Specifications that define the Iur Interface. It is a logical interface for the interconnection of Serving and Drift two~~ Radio Network Controller (RNC) (SRNC/DRNC) components of the UMTS Terrestrial Radio Access Network (UTRAN) for the UMTS system.

2 References

The following documents contain provisions which, through reference in this text, constitute provisions of the present document.

- References are either specific (identified by date of publication, edition number, version number, etc.) or non-specific.
- For a specific reference, subsequent revisions do not apply.
- For a non-specific reference, the latest version applies.
- A non-specific reference to an ETS shall also be taken to refer to later versions published as an EN with the same number.

[1] ~~3GPP TS3.27.25.427: UTRAN—Iur & Iub Iub/Iur~~ Interface User Plane Protocol ~~for~~ DCH Data Streams

3 Definitions, symbols and abbreviations

3.1 Definitions

For the purposes of the present document, the [following] terms and definitions [given in ... and the following] apply.

3.2 Symbols

For the purposes of the present document, the following symbols apply:

3.3 Abbreviations

For the purposes of the present document, the following abbreviations apply:

4 General Aspects

4.1 UTRAN Architecture

[Editor's note: This chapter should describe the UTRAN architecture from I_{ur} point of view. The RNS roles SRNS and DRNS are described to facilitate the description of functional split in chapter 5.]

In order to avoid inconsistency between documents, appropriate references should be included.]

[Editor's note: The following text was proposed in Tdoc R3-99320 and agreed to be included subject to one change (re highlighted text)]

The Iur interface connects a SRNS and a DRNS two RNCs.

[Editor's note: The following paragraph needs revision, proposals welcome.]

From a logical stand point, the Iur interface is a point to point interface between the SRNS and all the DRNS, i.e. there is no deeper hierarchy of RNSs than the SRNS and DRNS. However, this point to point logical interface should be feasible even in the absence of a physical direct connection between the two RNSs.

4.2 I_{ur} Interface General Principles

4.2.1 General

[Editor's note: The following text was proposed in Tdoc R3-99320 and agreed to be included. The highlighted text indicates proposed editorial changes.]

This interface should be open.

The Iur interface enables the exchange of signalling information between SRNC and DRNC two RNCs, one or more Iur Data stream may also exist.

The signalling information across the Iur interface is called Radio Network Subsystem Application Part (RNSAP).

The RNSAP is terminated at both ends of the Iur interface by an RNC, in the SRNC and in the DRNC.

There shall exist a clear separation between the Radio Network Layer and the Transport Layer. Therefore, the Data Transport resource and traffic handling are separated from the RNSAP (Figure 1.). This resource and traffic handling is controlled by the Transport Signalling. The Transport Signalling is carried by a Signalling Bearer over the Iur interface.

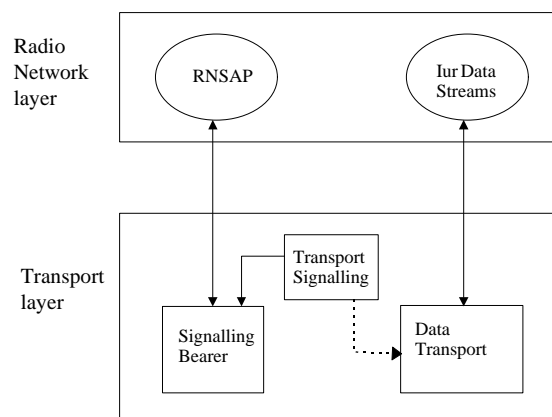


Figure 1. Separation of RNSAP and transport over Iur

4.2.2 RNSAP Procedures

Iur interface RNSAP procedures are divided into three modules as follows:

1. RNSAP Basic Mobility Procedures
2. RNSAP DCH Procedures
3. RNSAP Common Transport Channel Procedures

Basic Mobility Procedures module contains procedures used to handle the mobility within UTRAN. RNSAP Basic Mobility Procedures are mandatory.

DCH Procedures module contains procedures that are used to handle DCHs between two RNSs. If procedures from this module are not used in a specific Iur, then the usage of DCH traffic between corresponding RNSs is not possible. If this category is supported then the existence of Iur user plane for DCH is also assumed.

[Editor's note: The highlighted text indicates a proposed editorial change.]

Common Transport Channel Procedures module contains procedures that are used to control common **transport** channel data streams over Iur interface. If the procedures within this module are not used on a specific Iur, then the common **transport** channel data can not be transported between corresponding **UTRAN RNSs**.

~~*[Editor's nNote:*~~

RNSAP DCH Procedures will be standardised but whether they become mandatory or optional is FFS.

RNSAP Common Transport Channel Procedures will be standardised but whether they become mandatory or optional is FFS.

4.3 I_{ur} Interface Specification Objectives

4.3.1 General

[Editor's note: The highlighted text indicates a proposed editorial change.]

The I_{ur} interface specifications shall facilitate the following:

- Inter-connection of **RNSs- RNCs** from different manufacturers;
- Support of continuation between RNSs of the UTRAN services offered via the Iu interface.
- Separation of I_{ur} interface Radio Network functionality and Transport Network functionality to facilitate introduction of future technology.

4.3.2 Addressing of RNSs over the Iur Interface

[Editor's note: The following text was proposed in Tdoc R3-99320 and agreed to be included (but in a different section to that originally proposed) subject to two changes (re highlighted text).]

- For an RRC connection using a dedicated channel, the Iur standard shall allow the addition / deletion of cells belonging to any RNS within the PLMN.
- The specification of the Iur interface shall allow **the SRNC (i.e. the RNC of the SRNS) an RNC** to address any other RNC in the PLMN for establishing a signalling bearer over Iur.
- The specification of the Iur interface shall allow **the SRNC (i.e. the RNC of the SRNS) an RNC** to address any other RNC within the PLMN for establishing user data bearers for Iur data streams.

Note : Connectionless RNSAP over Iur is for further studies.

RNSAP shall allow different kinds of addressing schemes to be used for the signalling bearer.

4.4 I_{ur} Interface Capabilities

[Editor's note: The following text was proposed in Tdoc R3-99320 and agreed to be included.]

The information transferred over the Iur reference point can be categorised as follows:

1. Radio application related signalling

The I_{ur} interface provides capability to support radio interface mobility between RNSs, of UEs having a connection with UTRAN. This capability includes the support of handover and radio resource handling between RNSs.

- Addition of Cells in the DRNS which may lead or not to the addition of an new Iur Data stream
- Removal of Cells in the DRNS
- Modify Radio link characteristics

Note: This list of procedures is not the full list over Iur interface.

2. Iub/Iur DCH data streams

The contents of the Iub/Iur DCH data streams include:

- Transport Block Sets
- Simple, commonly agreed Quality estimate
- Synchronisation information

For a more detailed description of the Iur/Iub DCH data stream see refer to 'Iur & Iub Interface User Plane Protocol for DCH Data Streams' [1].

3. Iur RACH data streams

The contents of the RACH data streams isare FFS.

4. Iur FACH data streams

The contents of the FACH data streams isare FFS.

5. Iur DSCH data streams

The contents of the DSCH data streams isare FFS.

The FAUSCH is FFS.

4.5 I_{ur} Interface Characteristics

[Editor's note: This chapter should shortly describe the I_{ur}-Interface Characteristics.]

5 Functions of the I_{ur} Interface Protocols

[Editor's note: For information about the Iur interface functional division, see [appropriate specification].]

: The highlighted text indicates proposed editorial changes.]

5.1 Functional List

The list of functions on the Iur interface is the following:

1. Transport Network Management
2. Traffic management of Common **Transport** Channels
 - URA Paging
3. Traffic Management of Dedicated **Transport** Channels
 - Radio Link Setup/-Addition/-Deletion
 - Measurement Reporting

- Dedicated Transport Channel Management

4. Traffic Management of Downlink Shared Channels

5.2 Functional Split over Iur

[Editor's note: The following text was proposed in Tdoc R3-99320 and agreed to be included.]

Note: This is only an initial list.

5.2.1 Macro-diversity Combining/Splitting

DRNS may perform macro-diversity combining/splitting of data streams communicated via its cells. SRNS performs macro-diversity combining/splitting of Iur data streams received from/sent to DRNS(s), and data streams communicated via its own cells.

The internal DRNS handling of the macro-diversity combining (respectively splitting) of Iub (respectively Iur) DCH frames is controlled by the DRNS.

5.2.2 Control of Macro-diversity Combining/Splitting Topology

When requesting the addition of a new cell for a UE-UTRAN connection, the RNC of the SRNS (i.e. the SRNC) can explicitly request to the RNC of the DRNS (i.e. the DRNC) a new Iur data stream, in which case the macro-diversity combining and splitting function within the DRNS is not used for that cell. Otherwise, the DRNS takes the decision whether macro-diversity combining and splitting function is used inside the DRNS for that cell i.e. whether a new Iur data stream shall be added or not.

5.2.3 Handling of DRNS Hardware Resources

Allocation and control of DRNS hardware resources, used for Iur data streams and radio interface transmission/reception in DRNS, is performed by DRNS.

5.2.4 Allocation of Downlink Channelisation Codes

Allocation of downlink channelisation codes of cells belonging to DRNS is performed in DRNS.

[Editor's note: Note that this does not imply that the signalling of the code allocation to the UE must be done from the DRNS].

5.2.5 UpLink Power Control

This group of functions controls the level of the uplink transmitted power in order to minimise uplink interference and keep the quality of the connections. If the connection involves both a SRNS and a DRNS the function UL Outer Loop Power Control (located in the SRNC) sets the target quality for the UL Inner Loop Power Control function (located in Node B). Additional quality information for the case when macro diversity combining is performed in DRNC is for further study.

Note : some additional function is needed for resource negotiation between the SRNS and the DRNS across the Iur. This is FFS.

5.2.6 Down-Link Power Control

This group of functions controls the level of the downlink transmitted power in order to correct the downlink power drifting between several radio links. SRNC regularly (or under some algorithms) sends the target down link power range based on the measurement report from UE.

5.2.7 Admission Control

Admission control in a DRNC is implicitly invoked during radio link setup/modify.

Information on UL interferences and DL power on cells controlled by the DRNC should be available across Iur.

Additional information exchanges between admission control functions located in different RNCs are for further study.

6 DRNS logical Model over Iur

[Editor's note: The following text and figure was proposed in Tdoc R3-99320 and agreed to be included.]

[Editor's note: The DRNS logical Model needs to be updated.]

6.1 Overview

The model in Figure 2. shows the Drift Radio Network System as seen from the SRNC. It is modelled as a «black box» with a set of Radio Links on the Uu side of the box and another set of User Plane access ports on the Iur side of the box. The Radio Links are connected to the Iur user ports via the internal transport mechanisms of the DRNS. Operations for controlling the connections between ports are sent from the SRNC to the DRNC via an Iur Control Plane port.

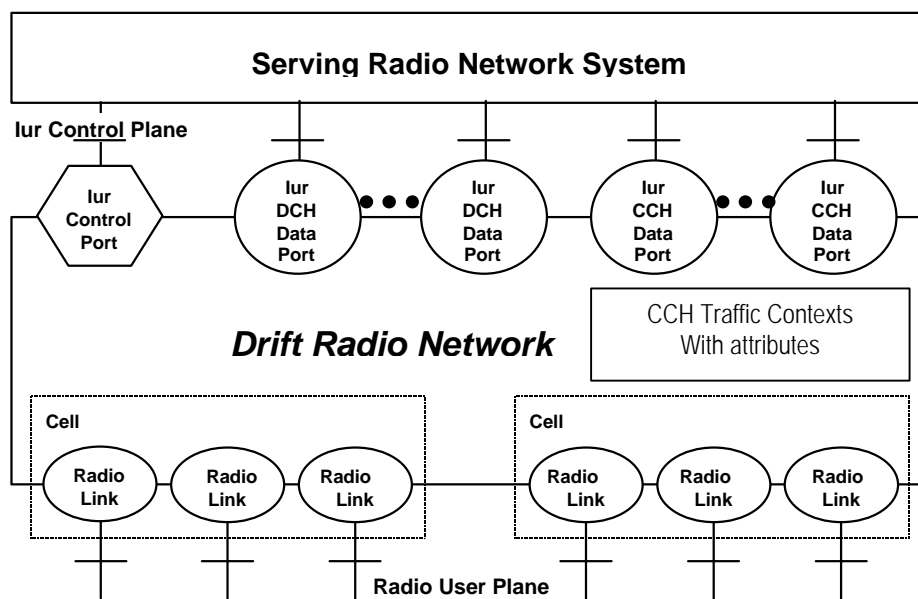


Figure 2. Drift RNS Logical Model

Note : This figure is the Radio Network layer view and not the transport layer one.

6.2 Logical Model Elements

6.2.1 Radio Link

A Radio Link represents a User Plane access point on the UTRAN side of the Uu interface between the User Equipment and the UTRAN. It is associated with :

- a Cell identifier.
- a Radio Frequency Carrier identifier.

- a Physical Channel identifier (spreading code).

The semantics of a Radio Link include the following:

- It is created and destroyed by administrative procedures when a cell site and/or RF carrier is added to, or deleted from, the RNS.
- It can be attached to one and only one Iur User Port at any given time.
- Its resources are allocated and controlled by the DRNS.

6.2.2 Cell

A Cell is a collection of Radio Links found at a specific location. It is defined by:

- a Cell identifier.

The semantics of a Cell include the following:

- It is created and destroyed by administrative procedures when a cell site and/or RF carrier is added to, or deleted from, the RNS.

6.2.3 Iur DCH Data Port

An Iur DCH Data Port represents a User Plane transport bearer, carrying one Iur DCH Data Stream, on the Iur interface between the SRNS and DRNS. The semantics of an Iur DCH Data Port include the following:

- It is created and destroyed by administrative procedures when transport facilities are added to, or deleted from, the Iur interface between the SRNS and DRNS. It can also be created and destroyed dynamically using dynamically setup transport bearers to add or remove transport facilities.
- It is assigned and released by the SRNC in reaction to requests for bearer services from the UE.
- It may be attached to one or more Radio Links. When attached to Radio Links in the downlink direction, it acts as a point-to-multipoint connection for diversity transmission. When attached to multiple Radio Links in the uplink direction, it acts as a multipoint-to-point connection for diversity reception.
- The transmit and receive diversity resources required to implement the point-to-multipoint and multipoint-to-point connections are controlled by the DRNS.
- The Iur DCH Data Stream emanating from the Iur DCH Data Port terminates in the SRNS connected to DRNS.

6.2.4 Iur CCH Data Port

Note : It is FFS whether an Iur CCH Data Port will be associated to a transport bearer or if multiple Iur CCH Data ports can be multiplexed over the same transport bearer.

6.2.5 Iur Control Port

An Iur Control Port represents the Control Plane access point on the Iur interface between the SRNS and the DRNS. It is defined by:

- a transport bearer channel identifier.

The semantics of an Iur Control Port include the following:

- It is created via administrative procedures when the Iur interface is created.

7 I_{ur} Interface Protocol Structure

[Editor's note: The protocol structure figures have not been altered yet as this will be included in a combined editorial revision of S3.10, S3.20, S3.30 and S3.01]

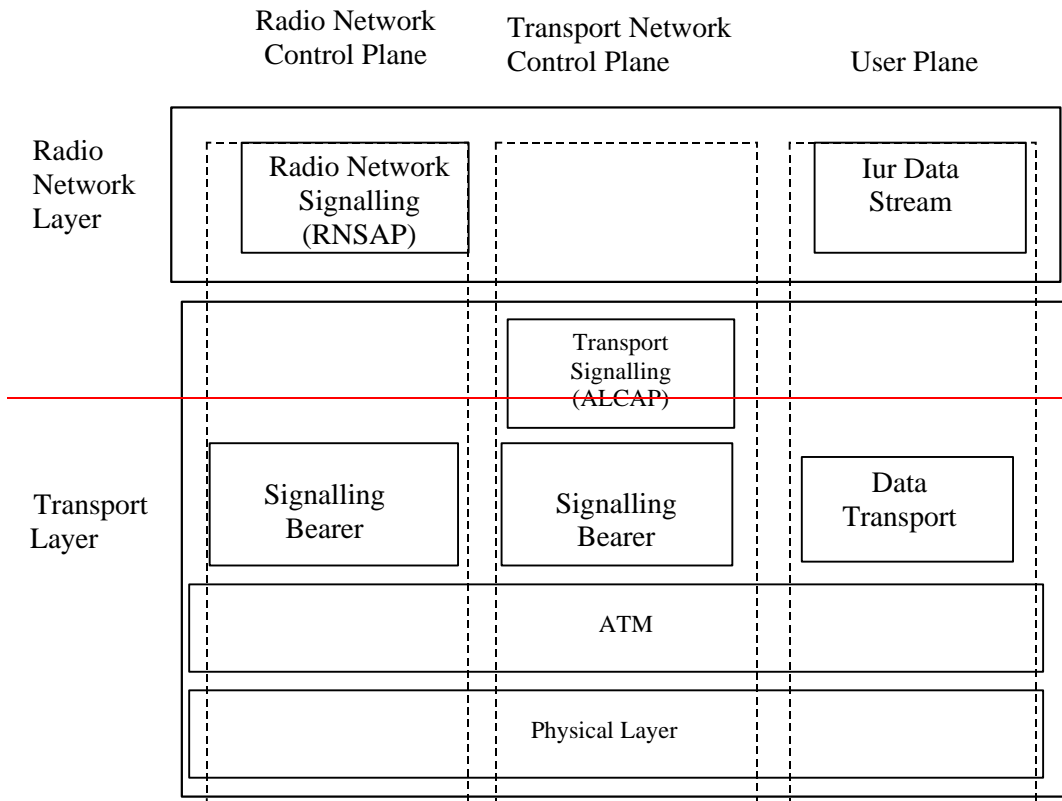
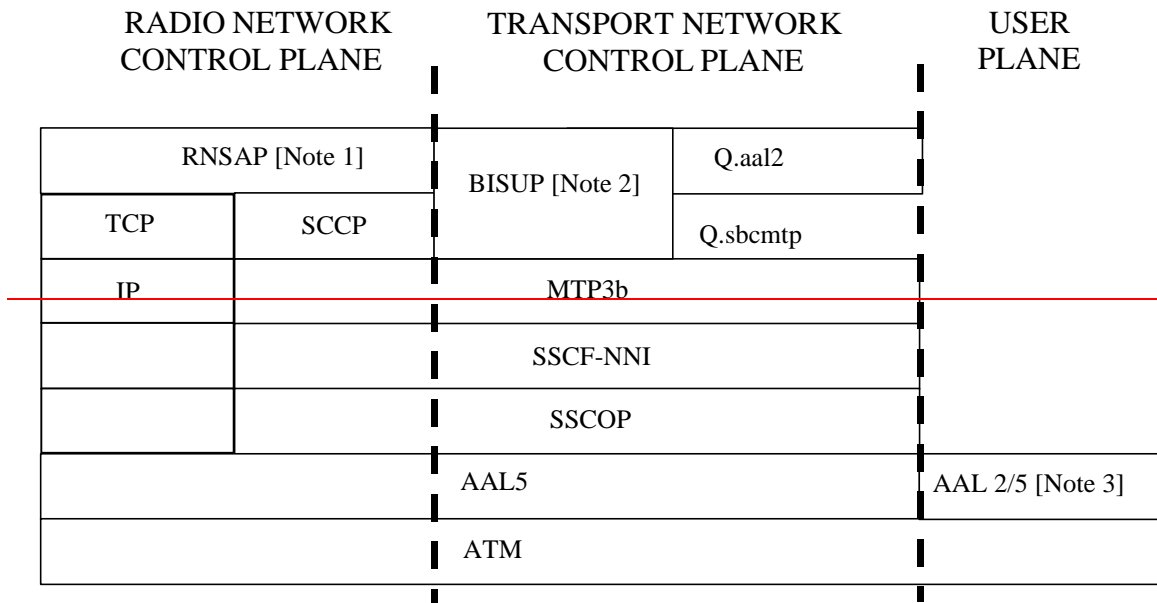


Figure 6-1. I_{ur}-Interface Protocol Structure

[Editor's note: Study item Iu/1 from TTC/ARIB-ETSI merging: Use of SS7 as signalling bearer for Iu & Iur.]



[Editor's Note: in the light of decisions made at TSG RAN WG3#3, the figure depicting the Iur interface Protocol Structure, which was agreed to be included (re Tdoc R3-99320), has been modified as follows:

- The signalling bearer for RNSAP has been changed to show both SS7 and CTP/IP based solutions (with an accompanying note explaining that three alternatives are currently being considered, and that one alternative shall finally be selected for inclusion in the standard for release '99).*
- The labels 'Q.aal2' & 'Q.sbcmtp' have been replaced with 'ALCAP (Q.2630.1)' & 'STC(Q.2150.1)'.*
- AAL5 (and associated 'note 3') has been removed from the Data Transport bearer in the User Plane.]*
- A note has been added stating that a signalling bearer solution for ALCAP based on CTP/IP maybe considered pending the outcome of RNSAP signalling bearer selection.]*

[Editor's Note: The protocol stack currently shows BISUP in the Transport Network Control Plane. This is not in line with the description of ALCAP in TS 25.424 & TS 25.426 (both at v2.0.0). The editor asks for guidance whether the protocol stack should be modified with the removal of BISUP and associated note 2: 'It is FFS which signalling protocol sets up AAL5 connection.']

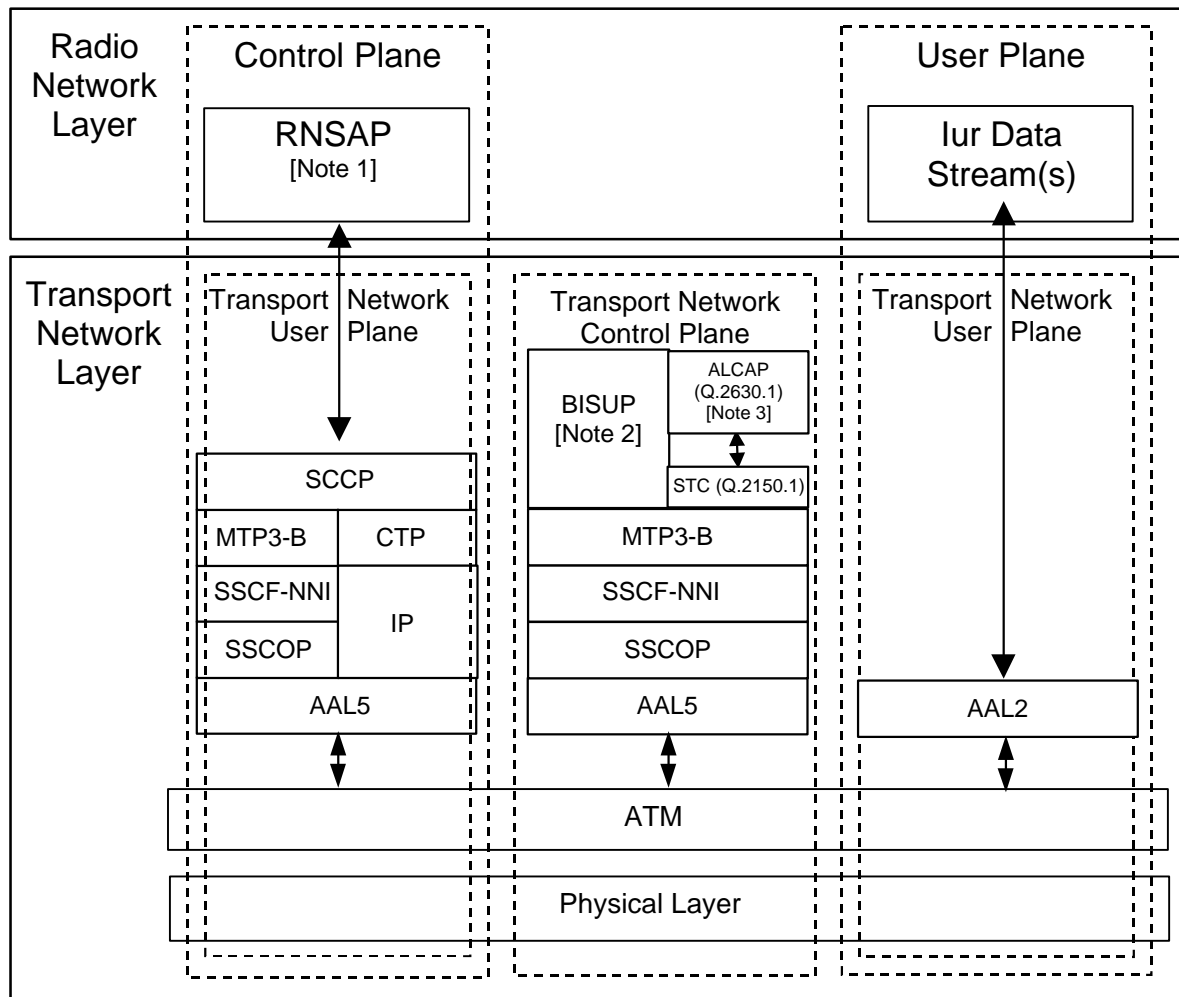


Figure 6-2. I_{ur} Interface Protocol Structure

[Note 1]: Two alternative signalling bearers for the Radio Network Control Plane are shown (TCP/IP/AAL5/ATM and SCCP/MTP3b/SSCF-NNI/SSCOP/AAL5/ATM). One of the two alternatives should be finally selected to be included in the standard.

[Note 1]: Three alternatives for RNSAP signalling bearer currently exist. These three alternatives are FFS. Only one alternative however shall finally be selected for release '99:

Alternative 1: SS7 only based solution.

Alternative 2: CTP/IP only based solution.

Alternative 3: Reference two options in the standard (one based on SS7 and the other CTP/IP), allowing operators to choose one out of two protocol suits for transport of SCCP messages.

In case CTP Protocol does not become ready, for reference, by September '99, TSG RAN WG3 will re-evaluate the protocol option of using CTP for release '99.

[Note 2]: It is FFS which signalling protocol sets up AAL5 connection.

[Note 3]: It is FFS whether AAL5 is applied to User-plane.

[Note 3]: A signalling bearer solution for ALCAP based on CTP/IP maybe considered pending the outcome of RNSAP signalling bearer selection.

8 Handling of Common Transport Channel Data Streams over Iur Interface

8.1 Basic Principles

[Editor's Note: As agreed during WG3#3 (Kawasaki), the following text has been cut and paste from the Iur/Iub SWG report (Tdoc R3-99392). With the exception of the statement 'Whether to use AAL2 or AAL5 is FFS' (which has been removed inline with the decision to use AAL2 only in the User Plane), the highlighted text indicates editorial changes.]

Note: *First the principles for handling RACH and FACH over Iur shall be settled. This is then, together with the DCH mechanisms, a starting point for defining DSCH support over Iur.*

The following basic principles were agreed:

- QoS: For RACH/FACH over Iur only best effort with priority handling is considered, due to complexity reasons on the Iur interface.
- In the case that UTRAN assigns RACH/FACH to the UE, the CRNC provides physical channel parameters.

An Ad Hoc group for "RACH/FACH on Iur" provided the following statements which were agreed:

- Regarding the level of interaction between MAC-c and MAC-d, the following is agreed:
 - Need to minimise buffering in system
 - Need to minimise the initial delay of the transmission over Iur for the first PDU
 - Need to minimise signalling on Iur
 - Need to reduce conditions of CRNC overload.
- No reservation mechanism is required for reservation of resources in the CRNC.
- When the UE changes cell within the CRNC, logically a new connection between MAC-d and the new MAC-c instance is established. Any flow control or similar mechanism over Iur must be reinitialised. The same transport bearer can be used.
- There is a frame protocol multiplexing of different UE on one transport bearer. One transport bearer can be used to connect multiple MAC-d instances in SRNC with multiple MAC-c instances in the CRNC. Whether to use one transport bearer per priority class, or a common, is FFS. **Whether to use AAL2 or AAL5 is FFS.**
- Multiplexing of data streams for one UE is assumed to be done in MAC-d, but this needs WG2 confirmation. The relation to priority handling need to be clarified.

Note: *The above conclusions shall be sent to WG2 for comments. Also WG3 shall request WG2 for a more detailed model of the split of MAC-d and MAC-c.*

9 Other I_{ur} Interface Specifications

[Editor's note: Text containing a brief summary of each specification to be added]

9.1 UTRAN Iur Interface: Layer 1 (TS 25.421)

9.2 UTRAN Iur Interface: Signalling Transport (TS 25.422)

9.3 UTRAN Iur Interface: RNSAP Specification (TS 25.423)

9.4 UTRAN Iur Interface: Data Transport and Transport Signalling for Common Transport Channel Data Streams (TS 25.424)

9.5 UTRAN Iur Interface: User Plane Protocols for Common Transport Channel Data Streams (TS 25.425)

9.6 UTRAN Iur & Iub Interface: Data Transport and Transport Signalling for DCH Data Streams (TS 25.426)

9.7 UTRAN Iur & Iub Interface: User Plane Protocols for DCH Data Streams (TS 25.427)

10 Bibliography

The following material, though not specifically referenced in the body of the present document (or not publicly available), gives supporting information.

11 Annex A: Document Status

<u>Status Report [TS 25.420 v0.1.1]</u>			
	<u>Section</u>	<u>% Complete</u>	<u>Comments / Outstanding issues</u>
<u>1</u>	<u>Scope</u>	<u>Complete ?</u>	
<u>2</u>	<u>References</u>	<u>Empty</u>	<u>Editor to provide content.</u>
<u>3</u>	<u>Definitions, symbols and abbreviations</u>		
<u>3.1</u>	<u>Definitions</u>	<u>Empty</u>	<u>Editor to provide content.</u>
<u>3.2</u>	<u>Symbols</u>	<u>Empty</u>	<u>Editor to provide content.</u>
<u>3.3</u>	<u>Abbreviations</u>	<u>Empty</u>	<u>Editor to provide content.</u>
<u>4</u>	<u>General Aspects</u>		
<u>4.1</u>	<u>UTRAN Architecture</u>	<u>25% ?</u>	<u>WG3 Review Required.</u> <u>Editor requests proposals to revise second paragraph:</u> <u>'From a logical stand point....'.</u>
<u>4.2</u>	<u>I_{ur} Interface General Principles</u>		
<u>4.2.1</u>	<u>General</u>	<u>50% ?</u>	<u>WG3 Review Required.</u>
<u>4.2.2</u>	<u>RNSAP Procedures</u>	<u>Complete ?</u>	<u>WG3 Review Required.</u>
<u>4.3</u>	<u>I_{ur} Interface Specification Objectives</u>		
<u>4.3.1</u>	<u>General</u>	<u>50% ?</u>	<u>WG3 Review Required.</u>
<u>4.3.2</u>	<u>Addressing of RNSs over the Iur Interface</u>	<u>75% ?</u>	<u>WG3 Review Required.</u> <u>Contains note 'Connectionless RNSAP over Iur is FFS'.</u>
<u>4.4</u>	<u>I_{ur} Interface Capabilities</u>	<u>50% ?</u>	<u>WG3 Review Required.</u> <u>Is the list complete?</u> <u>Text/references required content of (3) RACH data streams, (4) FACH data</u>

			streams & (5) DSCH data streams. <u>Contains note 'The FAUCH is FFS'.</u>	
4.5	<u>I_{ur} Interface Characteristics</u>	<u>Empty</u>	<u>Proposals requested.</u>	
5	<u>Functions of the I_{ur} Interface Protocols</u>			
5.1	<u>Functional List</u>	<u>25% ?</u>	<u>WG3 Review Required.</u> <u>Proposals requested to complete list.</u> <u>Is the 3rd bullet of (3) valid.</u>	
5.2	<u>Functional split over I_{ur}</u>	<u>50% ?</u>	<u>WG3 Review Required.</u> <u>Contributions required to complete list.</u>	
5.2.1	<u>Macro-diversity Combining/Splitting</u>	<u>50% ?</u>	<u>WG3 Review Required.</u>	
5.2.2	<u>Control of Macro-diversity Combining/Splitting Topology</u>	<u>50% ?</u>	<u>WG3 Review Required.</u>	
5.2.3	<u>Handling of DRNS Hardware Resources</u>	<u>50% ?</u>	<u>WG3 Review Required.</u>	
5.2.4	<u>Allocation of Downlink Channelisation Codes</u>	<u>50% ?</u>	<u>WG3 Review Required.</u>	
5.2.5	<u>UpLink Power Control</u>	<u>50% ?</u>	<u>WG3 Review Required.</u> <u>Contains note 'some additional function is needed for resource negotiation between the SRNS & DRNS across I_{ur} (FFS).'</u>	
5.2.6	<u>Down-Link Power Control</u>	<u>50% ?</u>	<u>WG3 Review Required.</u>	
5.2.7	<u>Admission Control</u>	<u>50% ?</u>	<u>WG3 Review Required.</u>	
6	<u>DRNS Logical Model over I_{ur}</u>	<u>50% ?</u>	<u>The Model & associated text needs to be updated – proposals requested.</u>	
6.1	<u>Overview</u>	<u>50% ?</u>	<u>Revise diagram (inc. changing CCH to Common Transport Channel).</u>	
6.2	<u>Logical Model Elements</u>			
6.2.1	<u>Radio link</u>	<u>50% ?</u>	<u>Revise/Check description</u>	
6.2.2	<u>Cell</u>	<u>50% ?</u>	<u>Revise/Check description</u>	

<u>6.2.3</u>	<u>Iur DCH Data Port</u>	<u>50% ?</u>	<u>Revise/Check description</u>	
<u>6.2.4</u>	<u>Iur CCH Data Port</u>	<u>50% ?</u>	<u>Revise/Check description</u>	
<u>6.2.5</u>	<u>Iur Control Port</u>	<u>50% ?</u>	<u>Revise/Check description</u>	
<u>7</u>	<u>Iur Interface Protocol Structure</u>	<u>75% ?</u>	<p><u>The protocol stack has been revised according to decisions taken at RAN WG3#3.</u></p> <p><u>The protocol stack currently shows BISUP in the Transport Network Control Plane. This is not in line with the description of ALCAP in TS 25.424 & TS 25.426 (both at v2.0.0). The editor asks for guidance whether the protocol stack should be modified with the removal of BISUP and associated note 2: 'It is FFS which signalling protocol sets up AAL5 connection.'</u></p> <p><u>The stack may need to be revised pending the outcome of the RNSAP signalling bearer selection.</u></p> <p><u>Additional text required introducing the two layers/three planes of the model being used.</u></p> <p><u>References be included for the protocols shown in the stack.</u></p>	
<u>8</u>	<u>Handling of Common Transport Channel Data Streams over Iur Interface</u>			
<u>8.1</u>	<u>Basic Principles</u>	<u>75% ?</u>	<p><u>WG3 Review Required.</u></p> <p><u>Principles related to the handling of DSCH over Iur need to be defined.</u></p>	
<u>9</u>	<u>Other I_{ub} Interface Specifications</u>			
<u>9.1</u>	<u>Iur Interface: Layer 1 (TS 25.421)</u>	<u>Empty</u>	<u>Editor to provide brief summary</u>	
<u>9.2</u>	<u>Iur Interface: Signalling Transport (TS 25.422)</u>	<u>Empty</u>	<u>Editor to provide brief summary</u>	

<u>9.3</u>	<u>Iur Interface: RNSAP Specification (TS 25.423)</u>	<u>Empty</u>	<u>Editor to provide brief summary</u>	
<u>9.4</u>	<u>Iur Interface: Data Transport & Transport Signalling for Common Transport Channel Data Streams (TS 25.424)</u>	<u>Empty</u>	<u>Editor to provide brief summary</u>	
<u>9.5</u>	<u>Iur Interface: User Plane Protocols for Common Transport Channel Data Streams (TS 25.425)</u>	<u>Empty</u>	<u>Editor to provide brief summary</u>	
<u>9.6</u>	<u>Iur & Iub Interface: Data Transport & Transport Signalling for DCH Data Streams (TS 25.426)</u>	<u>Empty</u>	<u>Editor to provide brief summary</u>	
<u>9.7</u>	<u>Iur & Iub Interface: User Plane Protocols for DCH Data Streams (TS 25.427)</u>	<u>Empty</u>	<u>Editor to provide brief summary</u>	
<u>10</u>	<u>Bibliography</u>	<u>Empty</u>	<u>Editor to provide content.</u>	
<u>11</u>	<u>Annex A (Document Status)</u>	<u>Complete</u>	<u>Up to Date.</u>	
<u>12</u>	<u>History</u>	<u>Complete</u>	<u>Up to Date.</u>	

12 History

Document history		
V0.0.1	1999-02	Initial Specification Structure
V0.0.2	1999-02	Inclusion of complete text from sections 6, 7 and 8 of the baseline specification entitled "Merged Description of Iur Interface, Version 0.0.2"
V0.0.3	1999-03	Revised document based on approved contributions/decisions taken at WG3#2 Nynäshamn: Text in Chapter 2 of R3-99175 included in section 4.2 (text revised as per discussion). Editor's note added stating that RNSAP DCH and CCH procedures shall be standardised but whether they will become mandatory or optional is FFS.
V0.0.4	1999-04	Minor editorial changes.
V0.0.5	1999-04	Changes arising from comments received via e-mail reflector: Replace 'CCH' with 'Common Transport Channel' as agreed at WG3#2 Revise figure 6.2 to clearly show the two alternatives currently being considered in WG3 for the Radio Network Control Plane Signalling Bearer (namely TCP/IP and SCCP/MTP3/SAAL-NNI).
V0.1.0	1999-04	Approved by WG3
<u>V0.1.1</u>	<u>1999-05</u>	The following changes have been made (in-line with the editor's proposal presented at the previous meeting [re R3-99320], but revised according to decisions taken at the meeting): <ul style="list-style-type: none"> • Text added to 'Scope' (re chapter 1) with agreed modifications. • Revised Iur interface protocol diagram included (re chapter 7) with modifications (reflecting decisions taken at meeting on RNSAP signalling bearer, ALCAP and removal of AAL5 in the user plane (which was originally FFS). • Sub-sections referring to other related specifications included (re chapter 9). • Relevant sections of S3.01 (v0.1.0) related to Iur cut & paste throughout specification (excluding the information relating to Iur transport bearers originally proposed by editor to be included). <p>The following changes have also been made:</p> <p>A new chapter included containing agreed principles for handling of Common Transport Channels (re chapter 8).</p> <p>A status report has been included.</p> <p>Minor editorial changes.</p>
Editor for 3GPP RAN S3.20 is:		
Kevin Hegerty Lucent Technologies Tel.: +44 1793 883163 Fax : +44 1793 883815 Email : khegerty@lucent.com		
This document is written in Microsoft Word version 7/97.		